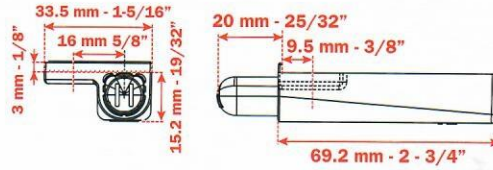


To be used WITH S SERIES FACE FRAME HINGES
 Para utilizar con BISAGRAS PARA MARCO SERIES S

DISTRIBUTED BY:
 Pro Wood Finishes
 14622 Southlawn Lane
 Rockville MD 20850
 Ph: (301) 424-3033

DOULOG - Left corner - ángulo izquierdo



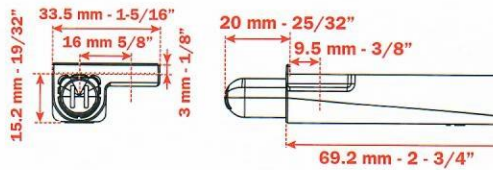
Packing

Boxes 150 pcs
 Pallets 13.500 pcs

Embalajes

Cajas 150 piezas
 Paletas 13.500 piezas

DOUROG - Right corner - ángulo derecho



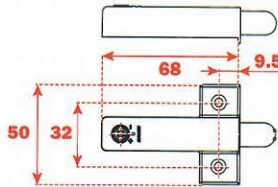
Packing

Boxes 150 pcs
 Pallets 13.500 pcs

Embalajes

Cajas 150 piezas
 Paletas 13.500 piezas

**DOUXHG LEFT/RIGHT ASSEMBLY
 MONTAJE IZQUIERDO/DERECHO**



Packing

Boxes 150 pcs
 Pallets 13.500 pcs

Embalajes

Cajas 150 piezas
 Paletas 13.500 piezas

To be used with **normal doors having 2-3 hinges**. With the S series Face Frame hinges (a) mount the SMOVE vertically \updownarrow on the side of the stile when the overlay is 1" or greater through 1-7/16" and (b) mount the SMOVE horizontally \leftrightarrow on the rail and into the corner when the overlay is 3/4" or less down to and including 1/4". Refer to drawings above for placement.

Para utilizar con **puertas normales de 2-3 bisagras**.

Con bisagras para marco serie S (a) montar el SMOVE verticalmente \updownarrow sobre el lateral para coberturas desde 1" hasta 1-7/16" y (b) montar SMOVE horizontalmente \leftrightarrow al ángulo del techo para coberturas desde 1/4" hasta 3/4". Hacer referencia a los dibujos arriba para el posicionamiento.



Positive adjustment:

Rotating the cam towards the + sign, thus moving the SMOVE forward, REDUCES the closing speed (longer action).

Regulación positiva:

Girando el excéntrico hacia el signo +, moviendo SMOVE hacia adelante, se REDUCE la velocidad de cierre (acción más larga).

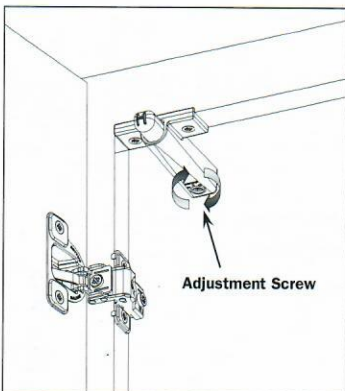


Negative adjustment:

Rotating the cam towards the - sign, thus moving the SMOVE backwards, INCREASES the closing speed (shorter action).

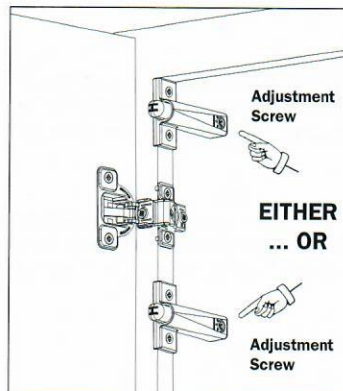
Regulación negativa:

Girando el excéntrico hacia el signo -, moviendo SMOVE hacia atrás, se AUMENTA la velocidad de cierre (acción más corta).



Small overlay
 1/4" to 3/4"

Coberturas pequeñas
 1/4" hasta 3/4"



Large overlay
 1" to 1 7/16"

Coberturas pequeñas
 1" hasta 1 7/16"

DOS_SNG - Smoveholder
DOS_SNG - Portasmove



DOS_SNG - Smoveholder
Portasmove

We suggest to use only one Smoveholder for each door, by selecting one of the three available models:

Aconsejamos utilizar un solo portasmove por cada puerta, eligiendo entre los tres modelos disponibles:



Packing

Boxes 300 pcs
 Pallets 7200 pcs

Embalajes

Cajas 300 piezas
 Paletas 7200 piezas



DOSHSNG

To be used with **normal doors having 2-3 hinges.**

*De utilizar con **puertas normales de 2-3 bisagras.***



DOS8SNG

To be used with **heavy doors having 3 or more hinges such as pantry doors.**

*De utilizar con **puertas de 3 o más bisagras, como puertas para despensas.***



DOS9SNG

To be used with **large, very heavy doors having multiple hinges.**

*De utilizar con **puertas anchas, muy pesadas, con bisagras multiplas.***



D0L_SNG - Smoveholder with assembly stop devices



We suggest that one smoveholder only is used for each door, by selecting one of the three available models:



D0L7SNG
to be used with **doors made with particularly light materials.**



D0L8SNG
to be used with **doors with two hinges.**



D0L9SNG
to be used with **doors with more than two hinges.**

Packing

Boxes 150 pcs
Pallets 13.500 pcs

D0L_SNGR - Smoveholder without assembly stop devices



We suggest that one smoveholder only is used for each door, by selecting one of the three available models:



D0L7SNGR
to be used with **doors made with particularly light materials.**



D0L8SNGR
to be used with **doors with two hinges.**



D0L9SNGR
to be used with **doors with more than two hinges.**

Packing

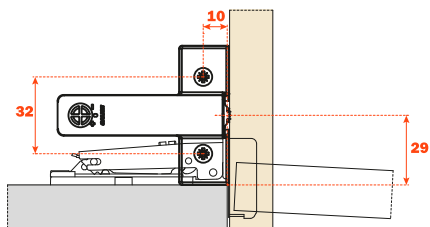
Boxes 150 pcs
Pallets 13.500 pcs

Smoveholder application

Arm 0, Arm 5, Arm 9 - Smoveholder D0L_SNG

Frontal positioning: with assembly stop devices.

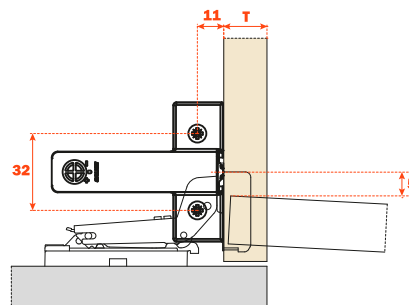
Side positioning: place the smoveholder with its wing in contact with the side of the cabinet.



Arm 17 - Smoveholder D0L_SNGR

Frontal positioning: drilling value at + 11 mm plus the door thickness.

Side positioning: place the smoveholder with its centreline approx. 5 mm from the edge of the door at its fully open position.



1 - Place the smoveholder in position on the top or bottom panel with its wing in contact with the side of the cabinet.

2 - Screw the smoveholder into position.



3 - Finally it is possible to adjust the Smove to increase or reduce the decelerating effect.



Positive adjustment

Rotating the screw towards the + sign, thus moving the Smove forward, the decelerating effect increases.

Negative adjustment

Rotating the screw towards the - sign, thus moving the Smove backwards, the decelerating effect reduces.

