

Mounting plates - The Slide-on mounting plate system - 2-way adjustment

Bases - Sistema de bases para posicionamiento con fin de carrera preestablecido - 2 regulaciones

Based on using full overlay hinges.

Utilizando bisagras para puertas externas

	0mm	3mm	6mm	9mm	12mm	18mm	Packaging
	Side panel 3/4" Full overlay panel lateral 3/4" cobertura total	Side panel 5/8" Full overlay panel lateral 5/8" cobertura total	1/2" overlay Partial overlay cobertura 1/2" cobertura parcial	Side panel 3/4" Half overlay panel lateral 3/4" cobertura puertas dobles	Side panel 5/8" Half overlay panel lateral 5/8" cobertura puertas dobles	Inset puerta interna	Embalaje

Steel
Acero



37x32 Screw-in. 37x32 de atornillar

	B2V3H09/15	B2V3H39/15	B2V3H69/15	B2V3H99/15	B2V3BC9/15 Die-cast zamak	B2V3BV9/15 Die-cast zamak	600

Steel
Acero



37x32 Screw-in Euro screw pre-mounted. 37x32 de atornillar. Tornillo Euro premontado.

	B2VGH09/17	B2VGH39/17	B2VGH69/17	B2VGH99/17	B2VGB9/17 Die-cast zamak	B2VGBV9/17 Die-cast zamak	600
							300

Die-cast zamak



37x32 Screw-in. Height adjustment by cam. 37x32 de atornillar. Regulación vertical con excéntrico.

	B2R3E09/15	B2R3E39/15					600
			B2R3E69/15	B2R3E99/15			300

Die-cast zamak



37x32 Screw-in Euro screw pre-mounted. Height adjustment by cam. 37x32 de atornillar. Tornillo Euro premontado. Regulación vertical con excéntrico.

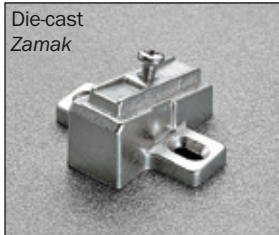
	B2RGE09/17	B2RGE39/17					600
			B2RGE69/17	B2RGE99/17			300


The slide-on mounting plate system for special angles - 2-way adjustment
Sistema de bases para posicionamiento con fin de carrera preestablecido para ángulos especiales - 2 regulaciones

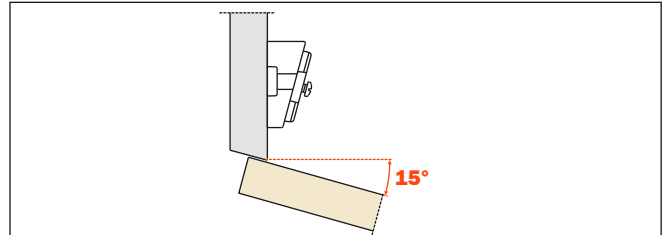
		Packaging Embalaje
--	--	-----------------------


An almost infinite variety of angled door applications is possible using variable-angle mounting plates in conjunction with one of Salice's range of angled-arm hinges.

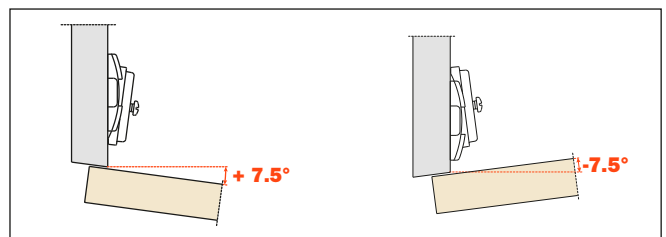
Las bases de regulación variable, oportunadamente combinadas a los diversos codos de las bisagras, ofrecen innumerables soluciones de montajes angulares de las puertas.




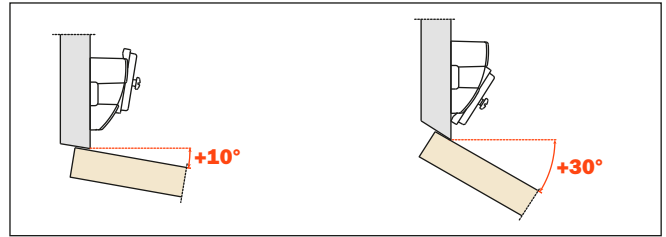
Screw-in. De atornillar.		
	B2V3BW9/15	600



Screw-in. De atornillar.		
	B2V3BW9R/15	600



Screw-in De atornillar.		
	B2V3BW9S/15	300



Variable-angle adapters

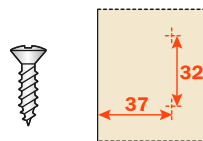
Die-cast adapters for all mounting plates.

Adaptadores inclinados

Adaptadores de zamac combinables con todas la bases.

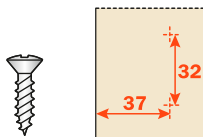
SAV354X9R

Die-cast adapter +5°. Fixing: wood screw $\varnothing 6 \times \frac{3}{4}$ ".
 Adaptadores de zamac +5°. Fijación: tornillo para madera $\varnothing 6 \times \frac{3}{4}$ ".



SAV354X9S

Die-cast adapter +10°. Fixing: wood screw $\varnothing 6 \times 1$ ".
 Adaptadores de zamac +10°. Fijación: tornillo para madera $\varnothing 6 \times 1$ ".



* Can be used with straight arm plates (BAP) or wing style plates (BAV, BAR).
 * puede ser utilizado con bases longitudinales (BAP) o bases en cruz (BAV, BAR).

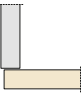
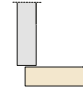
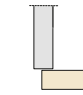
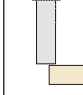

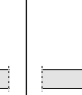
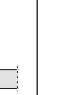
** When stacked, use wood screw $\varnothing 6 \times 1-\frac{1}{4}$ ".
 **para la fijación utilizar tornillo para madera $\varnothing 6 \times 1-\frac{1}{4}$ ".

*** Stacking the adapters will allow the achievement of a 15° angle.
 ***Fijando los adaptadores se obtiene un ángulo de 15°.

Mounting plates - snap on - 2-way adjustment - 1 cam
Bases automáticas Domi - 2 regulaciones - 1 excéntrico

Based on using full overlay hinges


Utilizando bisagras para puertas externas

	0mm Side panel 3/4" Full overlay panel lateral 3/4" cobertura total	2mm Side panel 5/8" 11/16" overlay panel lateral 5/8" cobertura 11/16"	3mm Side panel 5/8" Full overlay panel lateral 5/8" cobertura total	6mm 1/2" overlay Partial overlay cobertura 1/2" cobertura parcial	9mm Side panel 3/4" Half overlay panel lateral 3/4" cobertura puertas dobles	12mm Side panel 5/8" Half overlay panel lateral 5/8" cobertura puertas dobles	18mm Inset puerta interna	Packaging Embalaje
								

Steel
Acero




37x32 Screw-in
37x32 de atornillar.

	Steel Acero BAV3L09F Die cast Zamak BAV3E09F		Steel Acero BAV3L39F Die cast Zamak BAV3E39F	Steel Acero BAV3L69F Die cast Zamak BAV3E69F		Die cast Zamak BAV3E99F	Die cast Zamak BAV3EC9F	Die cast Zamak BAV3EV9F	300
---	---	--	---	---	--	-------------------------------	-------------------------------	-------------------------------	-----

Steel
Acero




37x32 Screw-in. Euro screw pre-mounted.
37x32 de atornillar. Tornillo Euro premontado.

	Steel Acero BAVGL09F/16 Die cast Zamak BAVGE09F/16		Steel Acero BAVGL39F/16 Die cast Zamak BAVGE39F/16	Steel Acero BAVGL69F/16 Die cast Zamak BAVGE69F/16	Die cast Zamak BAVGE99F/16	Die cast Zamak BAVGE99F/16	Die cast Zamak BAVGE99F/16	Die cast Zamak BAVGE99F/16	300
---	---	--	---	---	----------------------------------	----------------------------------	----------------------------------	----------------------------------	-----

Steel
Acero



37x32 Screw-in. Expansion dowels ø 5mm
37x32 de atornillar. Tacos a expansión ø 5 mm.


	BAV4L09F/16		BAV4L39F/16						300
---	-------------	--	-------------	--	--	--	--	--	-----

New steel mounting plates
Nueva bases en acero

Steel
Acero




37x32 Screw-in
37x32 de atornillar.

	BAV3M09F		BAV3M39F						300
---	----------	--	----------	--	--	--	--	--	-----

Steel
Acero




37x32 Screw-in. Euro screw pre-mounted.
37x32 de atornillar. Tornillo Euro premontado.

	BAVGM09F/16	BAVGM29F/16	BAVGM39F/16						300
---	-------------	-------------	-------------	--	--	--	--	--	-----

Steel
Acero



37x32 Screw-in. Expansion dowels ø 5mm
37x32 de atornillar. Tacos a expansión ø 5 mm.

	BAV4M09F/16		BAV4M39F/16						300
---	-------------	--	-------------	--	--	--	--	--	-----

Mounting plates - snap on - 2-way adjustment - 2 cams
Bases automáticas Domi - 2 regulaciones - 2 excéntricos

The Domi automatic mounting plate system - 2-way adjustment.

Domi® plate with AAR feature.

The **Salice Domi** mounting plate has a unique **Automatic Adjustment Response** feature: a slight turn of the frontal adjustment cam or BAR3L69F vertical adjustment cam quickly positions the hinge - eliminating the need for manual positioning by loosening screws.

Sistema Domi de bases automáticas - 2 regulaciones.

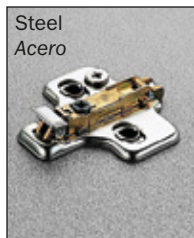
Base Domi con característica RRA

La base **Domi** de **Salice** tiene una característica única de **Respuesta de Regulación Automática**: una rápida rotación del excéntrico frontal o vertical posiciona automáticamente la bisagra - eliminando la necesidad de posicionamiento manual.

Based on using full overlay hinges.

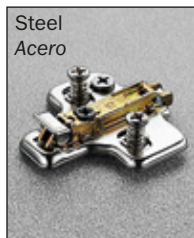
Utilizando bisagras para puertas externas.

	0mm Side panel 3/4". Full overlay panel lateral 3/4". cobertura total	3mm Side panel 5/8". Full overlay panel lateral 5/8". cobertura total	6mm 1/2" overlay Partial overlay cobertura 1/2". cobertura parcial	Packaging Embalaje



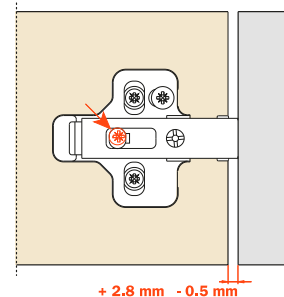
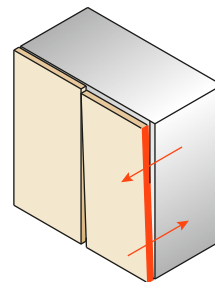
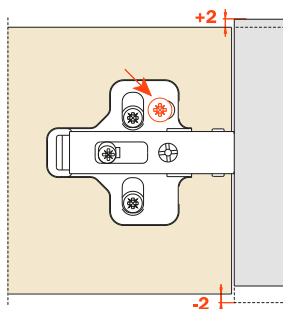
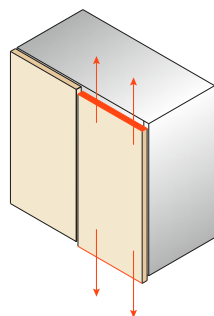
37x32 Screw-in # 6 x 5/8" - # 2 Phillips.
37x32 de atornillar # 6 x 5/8" - # 2 Phillips.

	BAR3L09F	BAR3L39F	BAR3L69F	300



37x32 Screw-in. Euro-screw pre-mounted.
37x32 de atornillar. Tornillo Euro premontado.

	BARGL09F/16	BARGL39F/16	BARGL69F/16	300



Height adjustment by cam
Regulación vertical mediante excéntrico

+2 mm
- 2 mm

Depth adjustment by cam
Regulación frontal mediante excéntrico

+2.8 mm
- 0.5 mm

Mounting plates - snap on - 2-way adjustment - 2 cams
Bases automáticas Domi - 2 regulaciones - 2 excéntricos

The Domi automatic mounting plate system - 2-way adjustment
Domi plate with AAR feature.

The **Salice Domi** mounting plate has a unique **Automatic Adjustment Response** feature: a slight turn of the frontal adjustment cam or vertical adjustment cam quickly positions the hinge - eliminating the need for manual positioning by loosening screws.

El sistema Domi de bases automáticas - 2 regulaciones
Base Domi con característica RRA

La base **Domi** de **Salice** tiene una característica única de **Respuesta de Regulación Automática**: una rápida rotación del excéntrico frontal o vertical posiciona automáticamente la bisagra - eliminando la necesidad de posicionamiento manual.

Based on using full overlay hinges.

Utilizando bisagras para puertas externas

	0mm Side panel 3/4" Full overlay panel lateral 3/4" cobertura total	2mm Side panel 5/8" 11/16" overlay panel lateral 5/8" cobertura 11/16"	3mm Side panel 5/8" Full overlay panel lateral 5/8" cobertura total	6mm 1/2" overlay Partial overlay cobertura 1/2" cobertura parcial	9mm Side panel 3/4" Half overlay panel lateral 3/4" cobertura puertas dobles	12mm Side panel 5/8" Half overlay panel lateral 5/8" cobertura puertas dobles	Packaging Embalaje



21+32 Screw-in.
21+32 de atornillar.

	BAP3R09	BAP3R29	BAP3R39	BAP3R69	BAP3R99	BAP3RC9	300



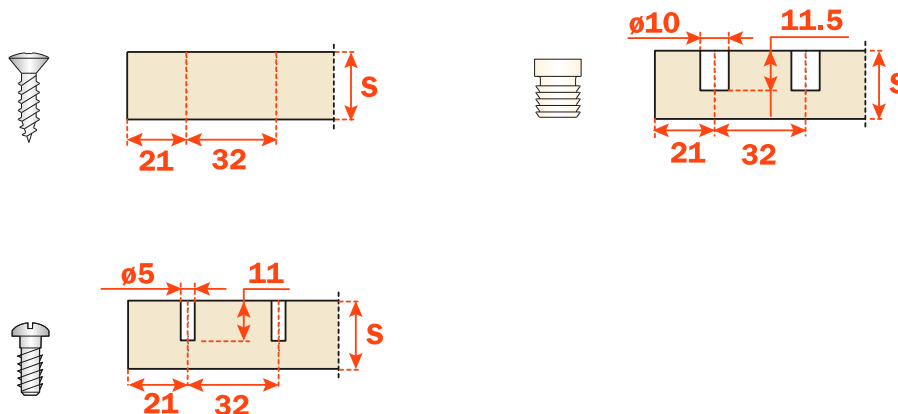
21+32 Screw-in. Euro-screw pre-mounted.
21+32 de atornillar. Tornillo Euro premontado.

	BAPGR09/16	BAPGR29/16	BAPGR39/16	BAPGR69/16			300



21+32 Knock-in. Dowels ø 10mm.
21+32 Tacos a expansión ø 10 mm.

	BAP7R09	BAP7R29	BAP7R39	BAP7R69			300



Mounting plates - snap on - 2-way adjustment - 2 cams
Bases automáticas Domi – 2 regulaciones – 2 excéntricos

The Domi automatic mounting plate system - 2-way adjustment
Domi plate with AAR feature.

The **Salice Domi** mounting plate has a unique **Automatic Adjustment Response** feature: a slight turn of the frontal adjustment cam or vertical adjustment cam quickly positions the hinge - eliminating the need for manual positioning by loosening screws.

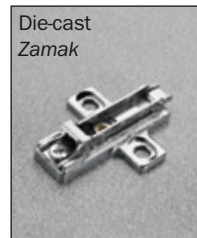
El nuevo sistema Domi de bases automáticas - 2 regulaciones
Base Domi con característica RRA

La base **Domi** de **Salice** tiene una característica única de **Respuesta de Regulación Automática**: una rápida rotación del excéntrico frontal o vertical posiciona automáticamente la bisagra – eliminando la necesidad de posicionamiento manual.

Based on using full overlay hinges.

Utilizando bisagras para puertas externas

0mm Side panel 3/4" Full overlay	2mm Side panel 5/8" 11/16" overlay	3mm Side panel 5/8" Full overlay	6mm 1/2" overlay Partial overlay	9mm Side panel 3/4" Half overlay	12mm Side panel 5/8" Half overlay	18mm Inset	Packaging Embalaje
panel lateral 3/4" cobertura total	panel lateral 5/8" cobertura 11/16"	panel lateral 5/8" cobertura total	cobertura 1/2" cobertura parcial	panel lateral 3/4" cobertura puertas dobles	panel lateral 5/8" cobertura puertas dobles	Puerta interna	



37x32 Screw-in 3rd screw fixing option.
37x32 de atornillar – posibilidad de fijación del 3er tornillo

	BAR3R09	BAR3R29	BAR3R39	BAR3R69	BAR3R99	BAR3RC9	BAR3RV9	300

Additional plate heights now available include:
 21mm - BAR3RZ9
 24mm - BAR3RY9
 27mm - BAR3RU9
 30mm - BAR3RM9



37x32 Screw-in. Euro-screw pre-mounted. 3rd screw fixing option.
37x32 de atornillar. Tornillo Euro premontado – posibilidad de fijación del 3er tornillo

	BARGR09/16	BARGR29/16	BARGR39/16	BARGR69/16	BARGR99/16	BARGRC9/16	BARGRV9/16	300

Additional plate heights now available include:
 21mm - BARGRZ9/16
 24mm - BARGRY9/16
 27mm - BARGRU9/16
 30mm - BARGRM9/16



37x32 Expansion Dowels ø 5 mm. 3rd screw fixing option.
37x32 Tacos a expansión ø 5 mm – posibilidad de fijación del 3er tornillo

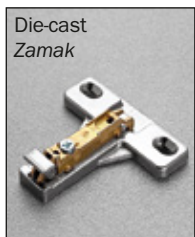
	BAR4R09/16	BAR4R29/16	BAR4R39/16	BAR4R69/16				300

Mounting plates - snap on - 2-way adjustment - 1 cam and 2 cams
Bases automáticas Domi - 2 regulaciones - 1 excéntrico y 2 excéntricos

Face frame application. Based on using full overlay hinges.

Aplicación para marco. Utilizando bisagras para puertas externas

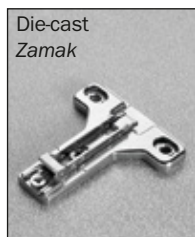
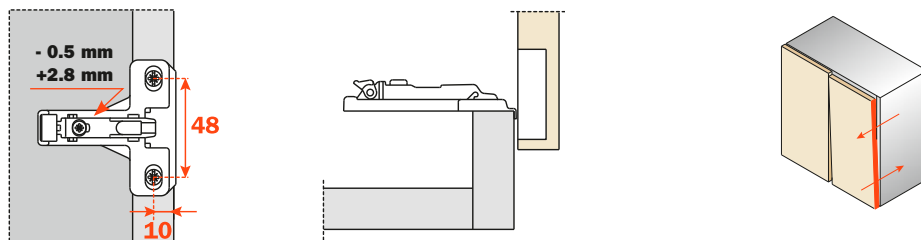
	1mm 3/4" overlay cobertura 3/4"	4mm 1/2" overlay cobertura 1/2"						Packaging Embalaje



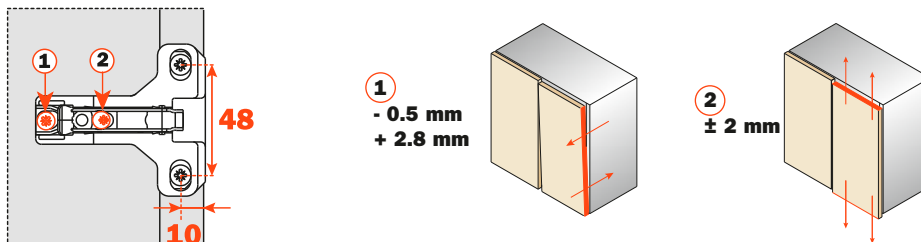
10x48 Screw-in. 10x48 de atornillar.								
	BAU3E19	BAU3E49						300



10x48 Screw-in. 10x48 de atornillar.								
	BAU3L19	BAU3L49						300


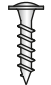


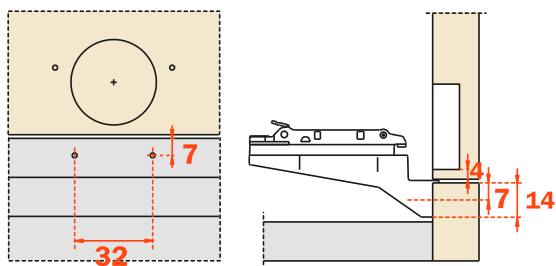
10x48 Screw-in. 3rd screw fixing option. 10x48 de atornillar - posibilidad de fijación del 3er tornillo								
	BAU3R19	BAU3R49						300



Mounting plates - snap on - 2-way adjustment - 2 cams
Bases automáticas Domi - 2 regulaciones - 2 excéntricos

Double cam - Inset face-frame applications. Aplicaciones internas para marco.



	7x32 Screw-in. 7x32 de atornillar.						Packaging Embalaje
		BAL3R59					300

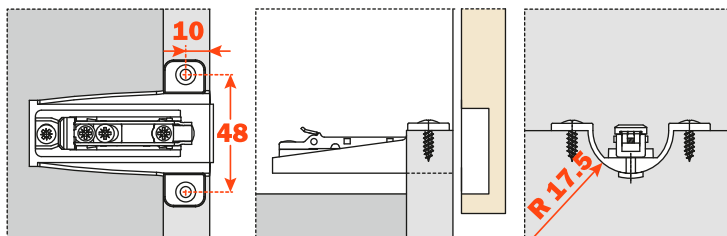


To be used with:
 1) Half overlay hinges ("G" crank)
 2) 1/2" overlay hinges ("D" crank) + adjustment.

A utilizar con:
 1) Bisagras cobertura parcial (codo "G")
 2) Bisagras cobertura 1/2" (codo "D") + regulación.

Double cam - Large overlay face-frame applications. Excéntrica doble = Para aplicaciones al interior del marco.

	10x45 Screw-in 10x45 De atornillar						Packaging Embalaje
		BAM3R09					300



Overlay calculation:
 Overlay = constant + Drilling distance + 11 mm
 *Refer to page 3 for information on constants

Cálculo cobertura:
 Cobertura total = constante + distancia taladro + 11 mm
 *Ver página 3 para informaciones sobre las constantes

HINGE	OVERLAY	Drilling distance (K)
Full Overlay ("A" crank) 110° - 120° opening	1 - 1/4" overlay	K = 6 mm
Full Overlay ("A" crank) 94° - 165° opening	1 - 3/8" overlay	K = 8 mm + Add 1 mm of adjustment
Full Overlay ("A" crank) 165° + reduction clip S2AF37X3 = 125° opening	1 - 1/2" overlay	K = 12 mm
Full Overlay ("A" crank) 165° + reduction clip S2AF37X3 = 125° opening	1 - 9/16" overlay	K = 14 mm

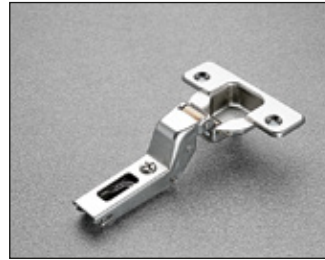
BISAGRA	COBERTURA	DISTANCIA DE TALADRO (K)
Cobertura total (codo "A") abertura 110° - 120°	cobertura 1 - 1/4"	K = 6 mm
Cobertura total (codo "A") abertura 94° - 165°	cobertura 1 - 3/8"	K = 8 mm + 1 mm regulación
Cobertura total (codo "A") 165° + tope de abertura S2AF37X3 = abertura 125°	cobertura 1 - 1/2"	K = 12 mm
Cobertura total (codo "A") 165° + tope de abertura S2AF37X3 = cobertura 125°	cobertura 1 - 9/16"	K = 14 mm

Hinge and mounting plate selection guide for Face Frame Inset doors.
Guía de selección de bisagra y base para aplicaciones internas para marco.



BAR_ mounting plate

BAR_ Base



P_ crank inset hinge

P_ codo bisagra para puertas internas

Face frame cabinets

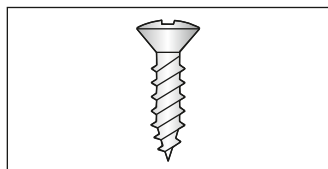
The **BAR** thick mounting plate system has been developed to offer the appropriate mounting plate thickness for inset door with face frame cabinets. This eliminates the need to “build up” to match the face frame interspace (**IS**) dimension.

Muebles con aplicación para marco

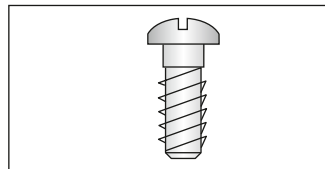
El sistema de bases **BAR** con grandes espesores ha sido desarrollado para ofrecer el espesor adecuado de la base con aplicaciones internas para marco. Esto elimina la necesidad de “incrementar” para nivelar la dimensión correspondiente a la distancia entre lateral y borde del marco. (**IS**)

Mounting plate part number

Código de la base



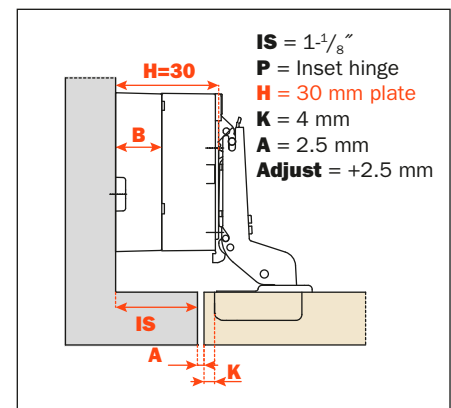
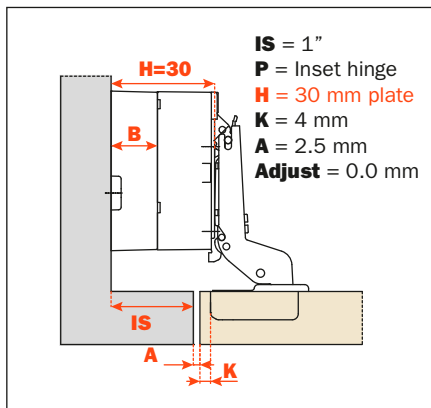
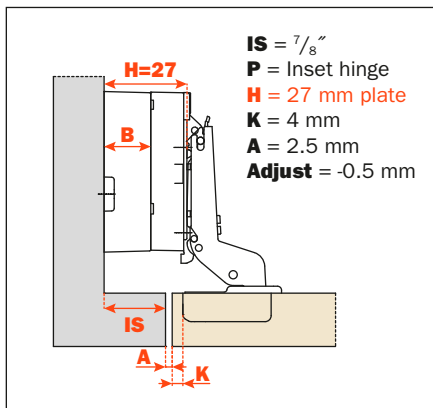
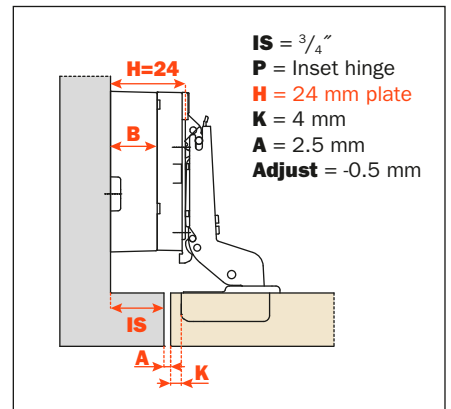
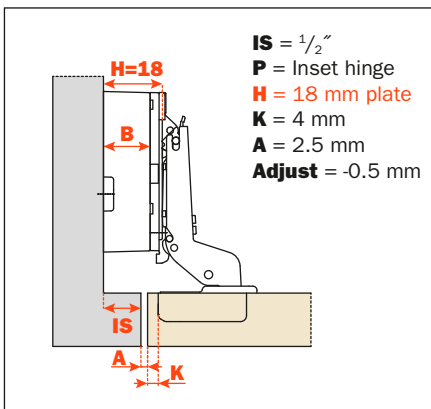
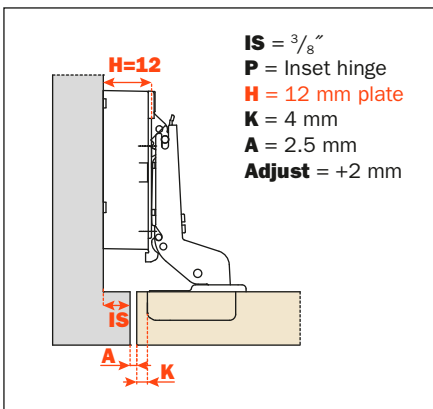
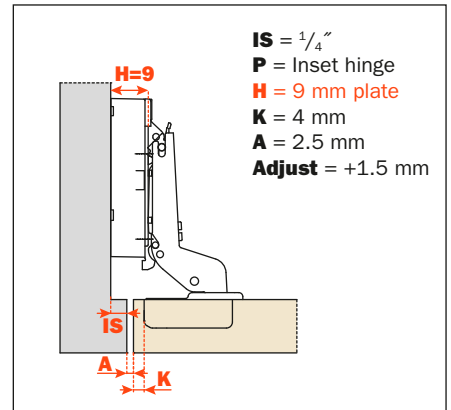
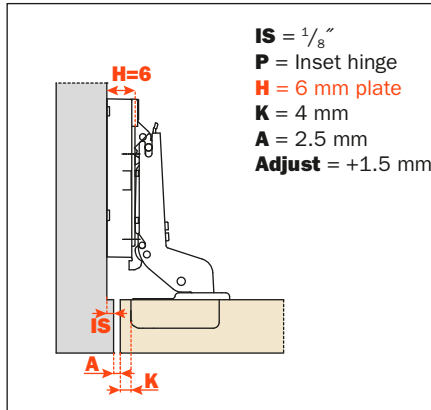
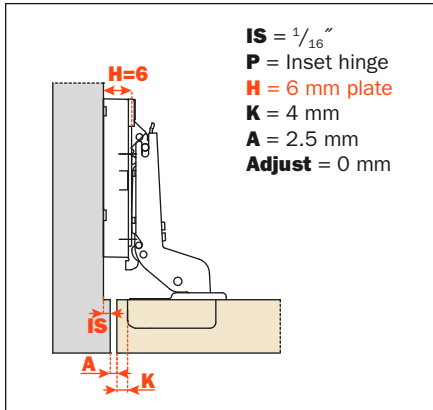
- H = 6 mm** - BAR3R69
- H = 9 mm** - BAR3R99
- H = 12 mm** - BAR3RC9
- H = 18 mm** - BAR3RV9
- H = 21 mm** - BAR3RZ9
- H = 24 mm** - BAR3RY9
- H = 27 mm** - BAR3RU9
- H = 30 mm** - BAR3RM9



- H = 6 mm** - BARGR69/16
- H = 9 mm** - BARGR99/16
- H = 12 mm** - BARGRC9/16
- H = 18 mm** - BARGRV9/16
- H = 21 mm** - BARGRZ9/16
- H = 24 mm** - BARGRY9/16
- H = 27 mm** - BARGRU9/16
- H = 30 mm** - BARGRM9/16

Drawings of Face Frame Inset applications
Dibujos de aplicaciones internas para marco

Select an inset style (P crank) hinge and the matching mounting plate thickness for your cabinet design.
Seleccionar una bisagra (codo P) para puerta interna y el espesor de la base correspondiente para el diseño de su mueble.



Legenda

- IS** = interspace (from side to frame edge)
- B** = mounting plate
- H** = mounting plate thickness
- K** = edge bore distance
- A** = gap
- P** = crank inset hinge

Abreviaciones

- IS** = distancia entre lateral y borde del marco
- B** = base
- H** = espesor de la base
- K** = distancia taladro borde externo
- A** = parte no cubierta del lateral
- P** = bisagra con codo para puertas internas