

Festool GmbH
Wertstraße 20
73240 Wendlingen
Germany

www.festoolusa.com

DISTRIBUTED BY:
Pro Wood Finishes
14622 Southlawn Lane
Rockville MD 20850
Ph: (301) 424-3033

FESTOOL

Instruction manual - Eccentric sander

Page 6

IMPORTANT: Read all instructions before using.

Guide d'utilisation - Ponceuse excentrique

Page 20

IMPORTANT: Lire toutes les instructions avant de démarrer les travaux.

Manual de instrucciones - Lijadora excéntrica

Página 35

IMPORTANTE: Lea todas las instrucciones antes de usar.

Instruction manual
Guide d'utilisation
Manual de instrucciones

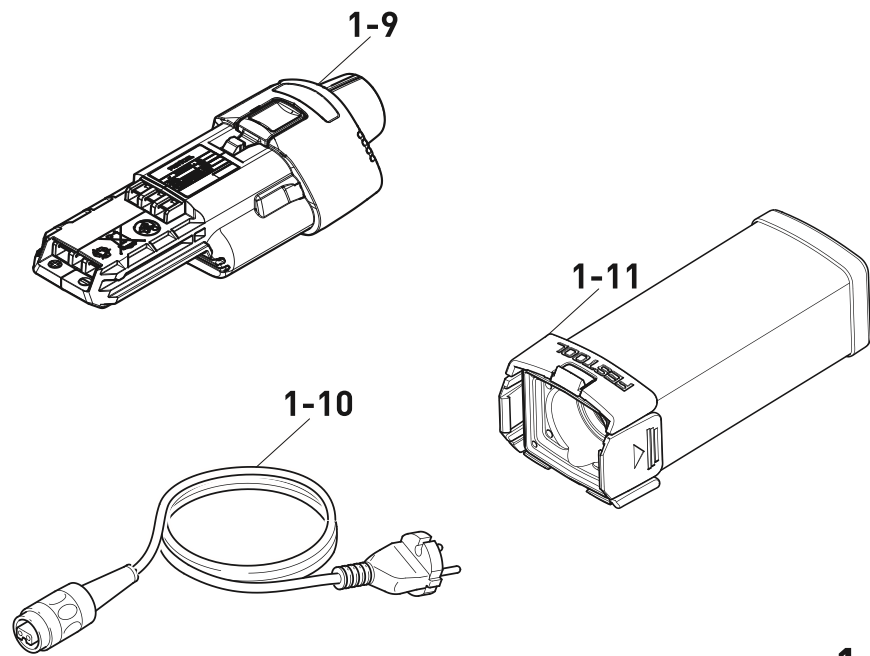
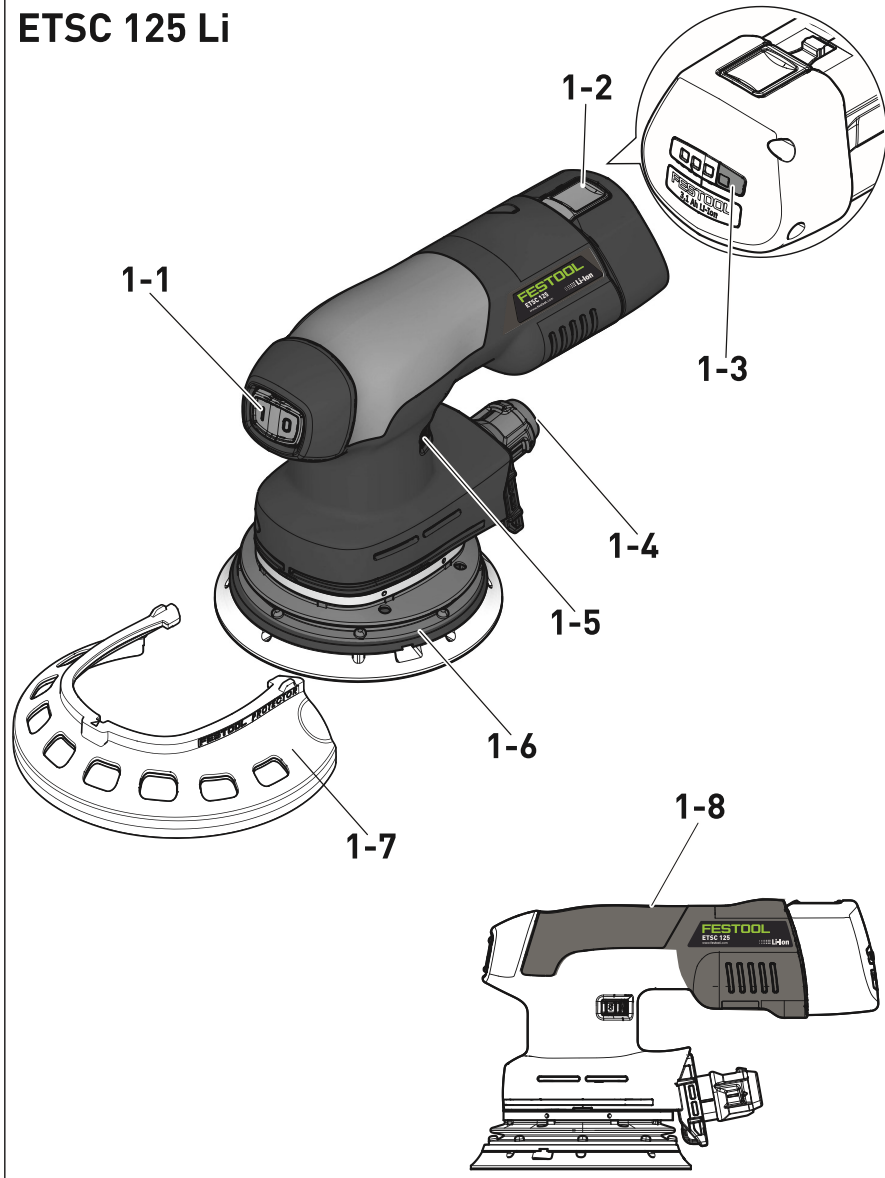
ETSC 125 Li



709661_002



ETSC 125 Li















Contents

Symbols.....	6
About this manual.....	7
Safety instructions	7
Intended use	10
Technical data	10
Functional description	10

Commissioning.....	11
Settings.....	12
Working with the machine.....	16
Service and maintenance	16
Accessories	17
Environment	18

Symbols

Symbol Significance

	Warning of general danger
	Risk of electric shock
	Read operating instructions and safety notices!
	Safety class II
	Wear ear protection.
	Wear a dust mask.
	Wear protective goggles.
	Switch the power supply on.
	Switch the power supply off.
	RBRC Seal - Lilon
	Tip or advice
	Handling instruction




Symbol Significance



V	volts
A	amperes
Hz	hertz
~ a.c.	alternating current
— d.c.	direct current
n_0	no load speed
rpm	revolutions per minute
tr/min	
"	inch
lb.	pound
∅	diameter
Nm	Newton metre
Ah	amps hour
Wh	Watt hour
°C	degree centigrade
°F	degree Fahrenheit

About this manual

Save these instructions


It is important for you to read and understand this manual. The information it contains relates to protecting **your safety** and **preventing problems**. The symbols below are used to help you recognize this information.

 DANGER	Description of imminent hazard and failure to avoid hazard will result in death.
 WARNING	Description of hazard and possible resulting injuries or death.
 CAUTION	Description of hazard and possible resulting injuries.

 NOTICE	Statement including nature of hazard and possible result.
 HINT	Indicates information, notes, or tips for improving your success using the tool.

Safety instructions

General power tool safety warnings

 **WARNING** Read all safety warnings, instructions, illustrations and specifications provided with this power tool. Failure to follow all instructions listed below may result in electric shock, fire and/or serious injury.

Save all warnings and instructions for future reference.

The term "power tool" in the warnings refers to your mains-operated (corded) power tool or battery-operated (cordless) power tool.

1 WORK AREA SAFETY

- Keep work area clean and well lit.** Cluttered or dark areas invite accidents.
- Do not operate power tools in explosive atmospheres, such as in the presence of flammable liquids, gases or dust.** Power tools create sparks which may ignite the dust or fumes.
- Keep children and bystanders away while operating a power tool.** Distractions can cause you to lose control.
- Never leave the power tool unattended.** Only leave the power tool when the tool in use has come to a complete standstill.

2 ELECTRICAL SAFETY

- Power tool plugs must match the outlet. Never modify the plug in any way. Do not use any**

adapter plugs with earthed (grounded) power tools. Unmodified plugs and matching outlets will reduce risk of electric shock.

- Avoid body contact with earthed or grounded surfaces, such as pipes, radiators, ranges and refrigerators.** There is an increased risk of electric shock if your body is earthed or grounded.
- Do not expose power tools to rain or wet conditions.** Water entering a power tool will increase the risk of electric shock.
- Do not abuse the cord. Never use the cord for carrying, pulling or unplugging the power tool. Keep cord away from heat, oil, sharp edges or moving parts.** Damaged or entangled cords increase the risk of electric shock.
- When operating a power tool outdoors, use an extension cord suitable for outdoor use.** Use of a cord suitable for outdoor use reduces the risk of electric shock.
- If operating a power tool in a damp location is unavoidable, use a residual current device (RCD) protected supply.** Use of an RCD reduces the risk of electric shock.

3 PERSONAL SAFETY

- Stay alert, watch what you are doing and use common sense when operating a power tool. Do not use a power tool while you are tired or under the influence of drugs, alcohol or medication. A**

moment of inattention while operating power tools may result in serious personal injury.

- b. **Use personal protective equipment. Always wear eye protection.** Protective equipment such as a dust mask, non-skid safety shoes, hard hat or hearing protection used for appropriate conditions will reduce personal injuries.
- c. **Prevent unintentional starting. Ensure the switch is in the off-position before connecting to power source and/or battery pack, picking up or carrying the tool.** Carrying power tools with your finger on the switch or energising power tools that have the switch on invites accidents.
- d. **Remove any adjusting key or wrench before turning the power tool on.** A wrench or a key left attached to a rotating part of the power tool may result in personal injury.
- e. **Do not overreach. Keep proper footing and balance at all times.** This enables better control of the power tool in unexpected situations.
- f. **Dress properly. Do not wear loose clothing or jewellery. Keep your hair and clothing away from moving parts.** Loose clothes, jewellery or long hair can be caught in moving parts.
- g. **If devices are provided for the connection of dust extraction and collection facilities, ensure these are connected and properly used.** Use of dust collection can reduce dust-related hazards.
- h. **Do not let familiarity gained from frequent use of tools allow you to become complacent and ignore tool safety principles.** A careless action can cause severe injury within a fraction of a second.

4 POWER TOOL USE AND CARE

- a. **Do not force the power tool. Use the correct power tool for your application.** The correct power tool will do the job better and safer at the rate for which it was designed.
- b. **Do not use the power tool if the switch does not turn it on and off.** Any power tool that cannot be controlled with the switch is dangerous and must be repaired.
- c. **Disconnect the plug from the power source and/or remove the battery pack, if detachable, from the power tool before making any adjustments, changing accessories, or storing power tools.** Such preventive safety measures reduce the risk of starting the power tool accidentally.
- d. **Store idle power tools out of the reach of children and do not allow persons unfamiliar with the power tool or these instructions to operate**

the power tool. Power tools are dangerous in the hands of untrained users.

- e. **Maintain power tools and accessories. Check for misalignment or binding of moving parts, breakage of parts and any other condition that may affect the power tool's operation. If damaged, have the power tool repaired before use.** Many accidents are caused by poorly maintained power tools.
- f. **Keep cutting tools sharp and clean.** Properly maintained cutting tools with sharp cutting edges are less likely to bind and are easier to control.
- g. **Use the power tool, accessories and tool bits etc. in accordance with these instructions, taking into account the working conditions and the work to be performed.** Use of the power tool for operations different from those intended could result in a hazardous situation.
- h. **Keep handles and grasping surfaces dry, clean and free from oil and grease.** Slippery handles and grasping surfaces do not allow for safe handling and control of the tool in unexpected situations.

5 Battery tool use and care

- a. **Recharge only with the charger specified by the manufacturer.** A charger that is suitable for one type of battery pack may create a risk of fire when used with another battery pack.
- b. **Use power tools only with specifically designated battery packs.** Use of any other battery packs may create a risk of injury and fire.
- c. **When battery pack is not in use, keep it away from other metal objects, like paper clips, coins, keys, nails, screws or other small metal objects, that can make a connection from one terminal to another.** Shorting the battery terminals together may cause burns or a fire.
- d. **Under abusive conditions, liquid may be ejected from the battery; avoid contact. If contact accidentally occurs, flush with water. If liquid contacts eyes, additionally seek medical help.** Liquid ejected from the battery may cause irritation or burns.
- e. **Do not use a battery pack or tool that is damaged or modified.** Damaged or modified batteries may exhibit unpredictable behaviour resulting in fire, explosion or risk of injury.
- f. **Do not expose a battery pack or tool to fire or excessive temperature.** Exposure to fire or temperature above 130 °C (265 °F) may cause explosion.
- g. **Follow all charging instructions and do not charge the battery pack or tool outside the tem-**

perature range specified in the instructions. Charging improperly or at temperatures outside the specified range may damage the battery and increase the risk of fire.

6 SERVICE

- a. **Have your power tool serviced by a qualified repair person using only identical replacement parts.** This will ensure that the safety of the power tool is maintained.
- b. **Never service damaged battery packs.** Service of battery packs should only be performed by the manufacturer or authorized service providers.
- c. **Only use original Festool parts for repair and maintenance.** The use of incompatible accessories or spare parts can result in electric shocks or other injuries.

Machine-related safety instructions

- **Dust that is harmful to your health may be produced as you work (e.g. paint products containing lead and some types of wood).** Contact with or inhalation of this dust may pose a risk for the operating personnel or persons in the vicinity. Observe the safety regulations that apply in your country.



Wear a P2 respiratory mask to protect your health. In enclosed spaces, ensure that there is sufficient ventilation and connect an extraction system.



Always wear protective goggles to protect against sanding hazards.

- **Clean work equipment soaked in oils, for example sanding pad or polishing felt, with water and allow to dry.** Work equipment soaked in oil may combust spontaneously.
- **Attention: Risk of fire! Avoid overheating the grinding material and the sander. Always empty the dust container before taking a break.** Swarf in the filter bag or filter of the mobile dust extractor may self-ignite in unfavourable conditions such as flying sparks when grinding metals. Particular danger exists if the swarf is mixed with paint, polyurethane residue or other chemical materials and the grinding material is hot after long periods of work.
- **If the power tool is dropped or falls, check for damage to the machine and sanding pad. Remove the sanding pad for closer inspection. Have the damaged parts repaired before use.** Broken sanding pads and damaged ma-

chines can cause injuries and machine instability.

- **Always use original Festool sanding pads.**
- **While using the long-life dust bag be aware of electric charge. Always when possible use an antistatic suction hose with the power tool.** A slight electric shock may cause you to panic briefly and become distracted, which may result in an accident.
- Only use the mains adapter with this device.
- Only use the mains adapter together with an original Festool plug-it cable.

Battery pack and charger safety instructions

- This charger can be operated by persons with reduced physical, sensory or mental capabilities or a lack of practical experience and knowledge, provided they are supervised or have been instructed to use the machine safely and understand the dangers of machine operation. **Children** are not allowed use or play with the machine.
- Do not open the battery pack or the charger!
- Prevent metal parts (e.g. metal chips) or fluids from entering the charger!
- **Do not use power adapters or battery packs from other manufacturers to operate the cordless power tool. Do not use any charger from other manufacturers for charging the battery pack.** The use of impermissible accessories may result in electric shock and / or serious accidents!
- Protect the battery pack from excessive heat > 50 °C or constant heat sources such as sunlight or naked flames!
- Never use water to extinguish burning li-ion battery packs! Use sand or a fire blanket.
- Check the plug and the cable regularly and should either become damaged, in order to avoid a hazard, have them replaced by an authorised after-sales service workshop.
- Always pull the mains plug out of the socket when the charger is not in use.

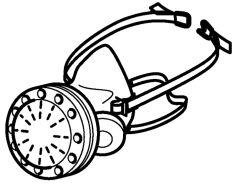
Health hazard by dust



WARNING! Various dust created by power sanding, sawing, grinding, drilling and other construction activities contains chemicals known (to the State of California) to cause cancer,

birth defects or other reproductive harm. Some examples of these chemicals are:

- lead from lead-based paints,
- crystalline silica from bricks and cement and other masonry products, and
- arsenic and chromium from chemically treated lumber.



The risk from these exposures varies, depending on how often you do this type of work. To reduce your exposure to these chemicals: work in a well ven-

tilated area, and work with approved safety equipment, such as dust masks that are specially designed to filter out microscopic particles. Wash hands after handling.



WARNING

TO REDUCE THE RISK OF INJURY, USER MUST READ INSTRUCTION MANUAL.

Intended use

The sanders are designed for sanding wood, plastic, composite, paint/varnish, filler and similar materials as directed. With mixed dust containing metal (such as dust resulting from paint sanding in the automotive industry) and when sanding damp surfaces, special safety instructions must be followed.

The sanders are not intended to be suitable for grinding bare metal. Material containing asbestos cannot be processed.



The user is liable for improper or non-intended use.

Technical data

Cordless random orbit sander	ETSC 125Li
Voltage	18 -20 V
No-load speed	6000 - 10000 min ⁻¹
Sanding stroke	5/64" (2.0 mm)
Sanding pad	5" (125 mm)
Weight (excl. battery pack, incl. sanding pad)	2 lbs (1.0 kg)

Functional description

The pictures for the functional description are on a fold-out page at the beginning of the instruction

manual. While reading the manual you can fold out the page for comparison and quick reference.

- [1-1] On/Off switch
- [1-2] Battery pack
- [1-3] Capacity display
- [1-4] Extractor connector
- [1-5] Speed control
- [1-6] Sanding pad
- [1-7] Edge protector
- [1-8] Handle (insulated gripping surface)
- [1-9] Mains adapter with plug-it connection*
- [1-10] Plug-it cable*
- [1-11] Long-life dust bag

* not on all versions included in the scope of delivery

Commissioning

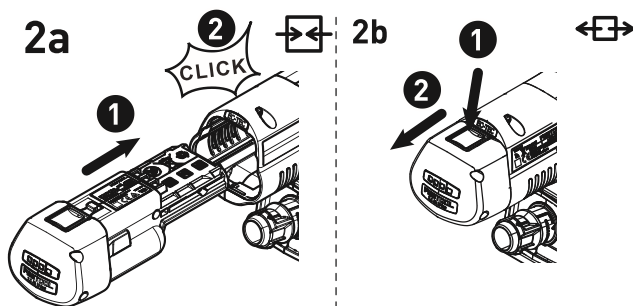
Switch on/off

The switch [1-1] is an on/off switch (I = ON, 0 = OFF).

- ① When the battery is empty, or if there is a power failure or the mains plug is removed, move the on/off switch immediately to the Off position. This prevents uncontrolled restarting.

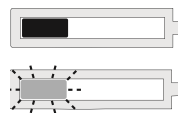
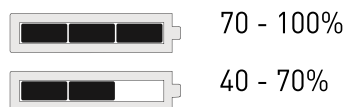
Battery pack

- ▶ Inserting the battery pack [2a]
- ▶ Removing the battery pack [2b]



Capacity display

Pressing the green button on the capacity display [1-3] shows the charge status of the battery pack:



15 - 40%

< 15%

Recommendation: Charge battery pack before further use.

Mains adapter



WARNING

Unauthorised voltage or frequency!

Risk of accident

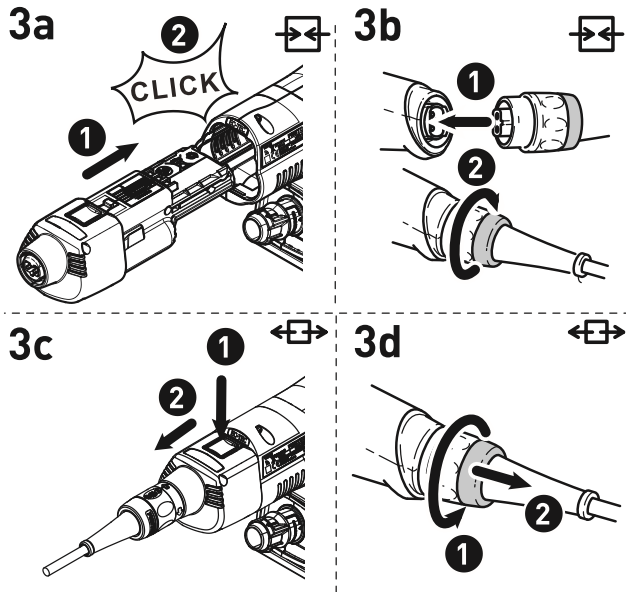
- ▶ The mains voltage and the frequency of the power source must correspond with the specifications on the machine's name plate.
- ▶ In North America, only Festool machines with the voltage specifications 120 V/60 Hz may be used.

The mains adapter (available as an accessory depending on the model) combines both cordless and mains-powered sanding technology, enabling you to switch between power supply sources. The mains adapter enables the mobile dust extractor's automatic electronic switch-on/shut-off function.

- ① For older mobile dust extractors, the automatic electronic switch-on/shut-off may only be acti-

vated under load and not yet under no-load speed due to low power consumption.

- ▶ Insert the mains adapter [3a]
- ▶ Connect the mains adapter and plug-it cable [3b]
- ▶ Remove the mains adapter [3c]
- ▶ Detach the mains adapter from the plug-it cable [3d]



Settings



WARNING

Risk of injury

- ▶ When working on power tools, always remove the batteries or disconnect the mains adapter first.

Electronics

Smooth start-up

The electronically controlled smooth start-up ensures that the machine starts up jolt-free.

Temperature cut-out

To avoid the motor overheating, the power consumption is limited at an excessive motor temperature. If the temperature continues to rise, the power tool switches off and can only be switched on again once the motor has cooled sufficiently.

Constant speed

The preselected motor speed is kept constant through electronic control. This means that, if the

machine is used as intended (reasonable contact pressure), a constant sanding speed is achieved.

Setting and adjusting the speed

The speed can be set **[1-5]** between 6000 and 10000 min⁻¹ using the adjusting wheel.

For sanding, we recommend the following settings for the adjusting wheel **[1-5]**:

Sanding work	Adjusting wheel setting
- Sanding with max. abrasion	5 - 6
- Sanding off old paint	
- Sanding of wood and veneered surface prior to paintwork	
- Intermediate sanding of paintwork on surfaces	
- Sanding thinly applied undercoat	4 - 5
- Sanding wood with sanding cloth	
- Edge breaking on wooden parts	
- Smoothing primed wooden surfaces	
- Sanding solid wood and veneered edges	3 - 4
- Sanding rebate of windows and doors	
- Intermediate sanding of paintwork at edges	
- Light sanding of natural wood windows using sanding cloth	
- Smoothing wooden surfaces using sanding cloth before staining	
- Rubbing or removing excess limestone residue using sanding cloth	
- Intermediate sanding of paintwork on stained surfaces	2 - 3
- Cleaning natural wood window rebate using sanding cloth	
- Sanding stained edges	1 - 2
- Sanding of thermoplastics	

Replacing the sanding pad [4a]



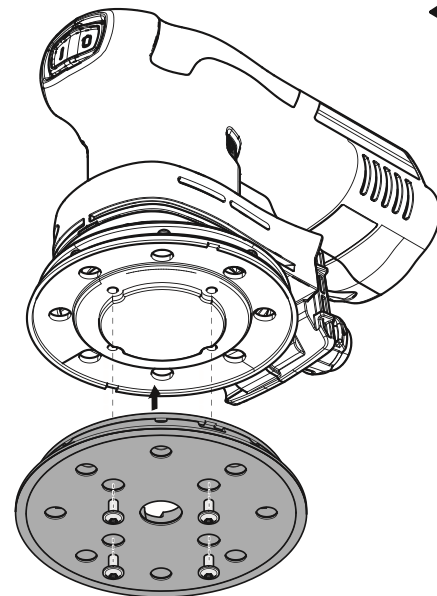
An optimal work result can only be achieved using original accessories and consumables. The use of non-original accessories or consumables invalidates the right to claim under warranty.



Warning! Do not perform any structural changes in the open interior space of the machine when the sanding pad is dismantled.

- ❶ Undo the four screws.
- ❷ Remove the sanding pad by pulling it downwards.
- ❸ Attach the new sanding pad.
- ❹ Use four screws to tighten it by hand (2.5 Nm).

4a



Hardness of the sanding pad

Adapted to the surface being processed, the machine can be equipped with sanding pads of different hardnesses.

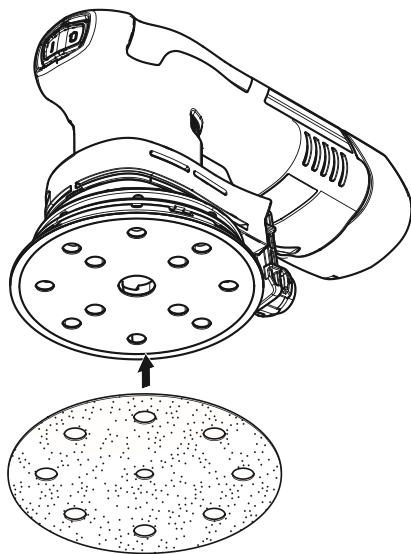
Soft: Universal for coarse and fine sanding, for flat and convex surfaces.


Extra-soft: Fine sanding of moulded parts, arches, radii. Do not use on edges.

Attaching sanding accessories using Stick-Fix [4b]

The suitable StickFix sandpaper and StickFix sanding cloth can be attached quickly and simply to the StickFix sanding pad.

- ▶ Affix the self-adhesive sanding accessory to the sanding pad.



 In the case of a weakening adhesive effect of the StickFix surface, the sanding pad accessories, in particular those which are not yet touching the workpiece, **may come loose from the sand-**

ing pad and cause injuries. Replace the sanding pad!

Dust extraction



WARNING

Dust hazard

- ▶ Dust can be hazardous to health. Always work with a dust extractor.
- ▶ Always read applicable national regulations before extracting hazardous dust.

Integral dust extractor with long-life dust bag

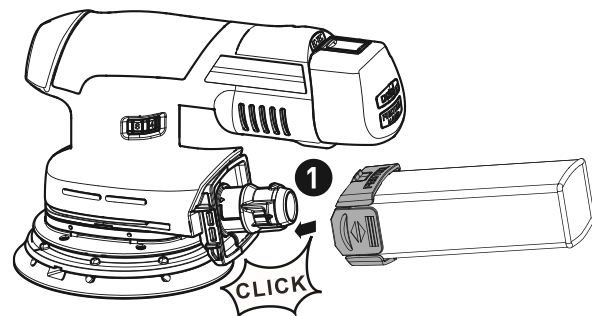
As standard, the sanders are equipped with an integral dust extractor. The sanding dust is extracted through extraction openings in the sanding pad and is collected in the dust bag.

Installing the dust bag [5]

- 1 Slide the dust bag onto the machine until it clicks into place.



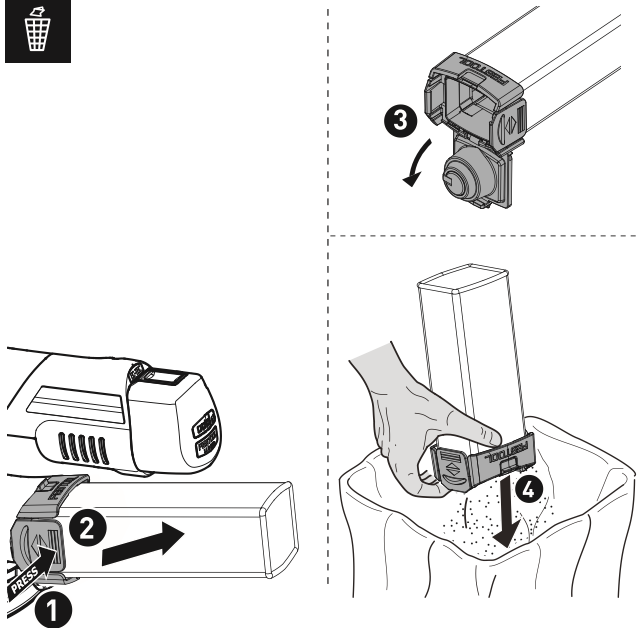
5





If the suction power is decreasing, empty the dust bag.

- ① Press the dust bag onto the actuating elements.
- ② Remove the dust bag by moving it towards the rear.
- ③ Open the flap on the dust bag.
- ④ Empty the dust bag and dispose of the waste.



Dust extraction with Festool's mobile dust extractor

To prevent having to frequently empty the dust bag when carrying out sanding work for a long period of time, you can connect Festool's mobile dust extractor (with an extraction hose diameter of 27 mm) to the extractor connection piece [1-4].

- ① The start-up mode switches the mobile dust extractor on as soon as you switch the orbital sander on. The start-up mode only works in conjunction with the mains adapter.
- ② If the power tool is used in cordless operation with a mobile dust extractor, the battery life decreases. Reducing the suction power minimises this effect.
- ③ High suction power can impair control of the power tool. Reducing the suction power minimises this effect.

Recommendation: Use an antistatic suction hose. This helps reduce the electric charge.

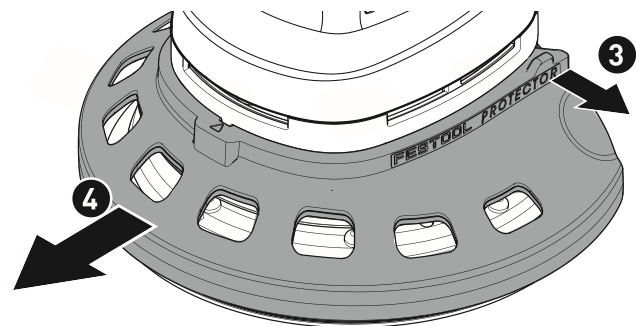
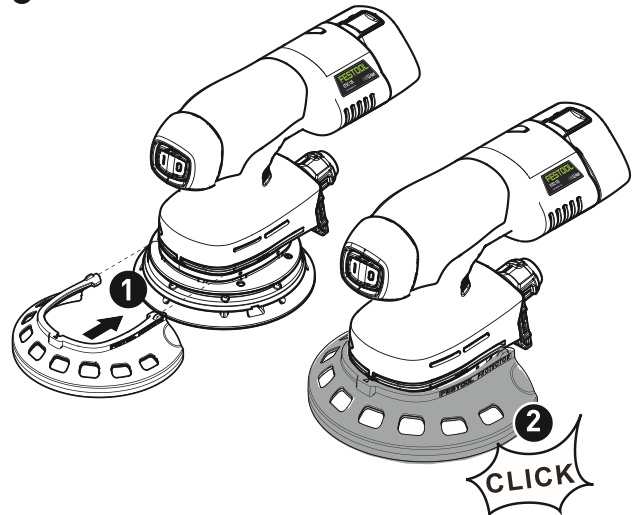
Edge protector [6]

The edge protector [1-7] reduces contact of the sanding pad circumference with a surface (e.g.

when sanding along a wall or a window), thus preventing back-kick of the machine, or machine damage.

- ① Push the edge protector into the groove on the machine.
- ② Slot the two ends of the edge protector into place until they click.
- ③ Loosen both ends of the edge protector.
- ④ Remove the edge protector by pulling it forwards.

6



Working with the machine



WARNING

Risk of injury

- ▶ Always secure the workpiece in such a manner that it cannot move while being machined.

Observe the following instructions:

- Do not overload the machine by pressing with excessive force! The best sanding results are achieved with moderate application pressure. The sanding capacity and quality are mainly dependent on the selection of the correct abrasive.
- Hold the machine with one hand on the handle [1-8].

Warning signal

The machine shuts down and makes a sound:

- ▶ Switch off the machine.

Battery pack is empty.

- ▶ Change the battery pack.

The machine shuts down and does not make a sound:

Machine is overheated or has been overloaded.

- ▶ Switch off the machine for 30 seconds.

- ▶ Reduce the machine load.

If the machine's final speed is then not reached, allow the machine to cool down.

Service and maintenance



WARNING

Any maintenance or repair work that requires opening of the motor or gear housing should only be carried out by an authorised Customer Service Centre (name supplied by your dealer)!

- ▶ Maintenance or repair work carried out by an unauthorised person can lead to the wrong connection of the power cord or other components, which in turn can lead to accidents with serious consequences.



WARNING

Risk of injury, electric shock

- ▶ When carrying out servicing and maintenance work, always remove the batteries or the mains adapter from the power tool first.
- ▶ All maintenance and repair work which requires the motor housing to be opened should always be carried out by an authorised service workshop.



CAUTION

Certain cleaning agents and solvents are harmful to plastic parts.

- ▶ Some of these include, but are not limited to: Gasoline, Acetone, Methyl Ethyl Ketone (MEK), Carbonyl Chloride, cleaning solutions containing Chlorine, Ammonia, and household cleaners containing Ammonia.



Customer service and repair only through manufacturer or service workshops: Please find the nearest address at:
www.festoolusa.com/service




Use only original Festool spare parts!
Order No. at:
www.festoolusa.com/service

To ensure constant air circulation, always keep the cooling air openings in the motor housing clean and free of any obstruction.

In the event of a slowdown in performance or increased vibrations, blow and clean cooling air openings.

- Keep the contacts on the machine, charger and battery pack clean.

 For service, maintenance, disposal and transport of the battery pack, note enclosed instructions of the battery pack!

Accessories

Use only original Festool accessories and Festool consumable material intended for this machine. These components are designed specifically for this machine. Using accessories and consumable material from other suppliers will most likely affect the quality of your results and limit warranty claims. Machine wear or your own personal workload may increase depending on the application. Protect yourself and your machine, and preserve your warranty claims by always using original Festool accessories and Festool consumable material!

The order numbers of the accessories and tools can be found in the Festool catalogue or on the Internet under "www.festoolusa.com".

Systainer

Many Festool products are shipped in a unique system container, called "Systainer". This provides

protection and storage for the tool and accessories. The Systainers are stackable and can be interlocked together. They also can be interlocked atop Festool CT dust extractors.

To open the Systainer



Turn the T-loc **[7-1]** to this position.

To lock the Systainer



Turn the T-loc **[7-1]** to this position.

To connect two Systainers

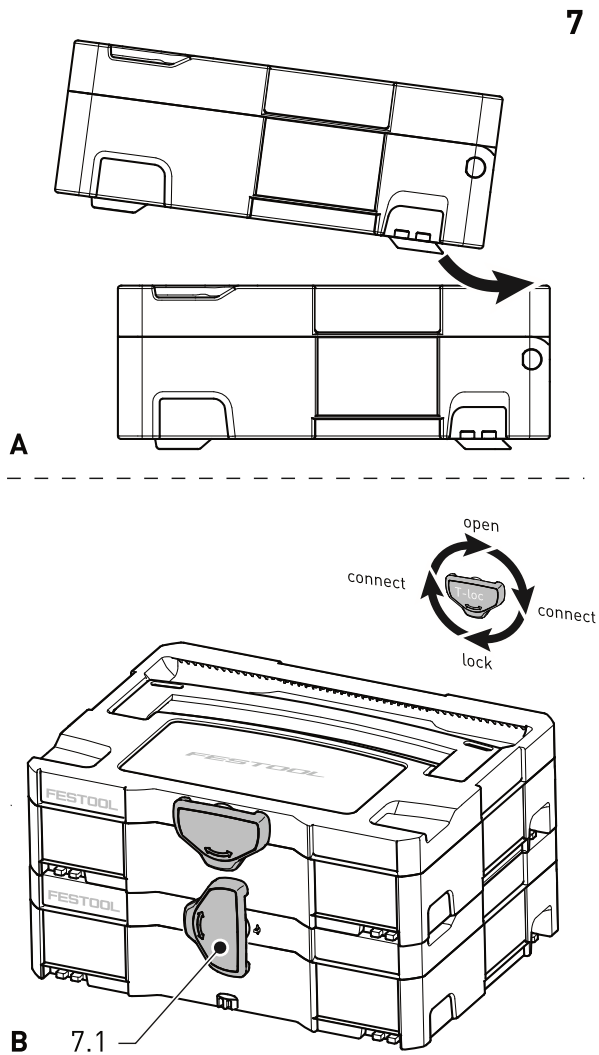
Place one Systainer on the top of the other (Fig. **[7 A]**).



Turn the T-loc **[7-1]** to one of this positions (Fig. **[7 B]**).

The Systainers are connected and locked.

- ① A new generation Systainer is connectable on top of a previous generation Systainer by the four latches of the previous Systainer.



Environment

Do not dispose of the device as domestic waste!
Dispose of machines, accessories and packaging at

an environmentally responsible recycling centre.
Observe the respective national regulations.

Battery Disposal



WARNING

Risk of fire or injury

- ▶ Do not attempt to disassemble the battery or remove any component projecting from the battery terminals.
- ▶ Prior to disposal, protect exposed terminals with heavy insulating tape to prevent shorting.

The RBRC™ Seal



The RBRC™ (Rechargeable Battery Recycling Corporation) Seal on nickel cadmium

(NiCd), nickel metal hydride (NiMH) or lithium-ion (Lilon) batteries (or battery packs) indicates Festool is voluntarily participating in an industry program to collect and recycle these batteries at the end of their useful life, when taken out of service in the United States or Canada. In some areas, it is illegal to place spent batteries in the trash or municipal solid waste stream and RBRC Program provides an environmentally conscious alternative.

Please call 1-800-822-8837 for information on battery recycling and disposal bans/restrictions in your area, or return your batteries to the Festool

Service Center for recycling. Help protect our environment and conserve natural resources!

Information on data protection

The power tool contains a chip which automatically stores machine and operating data (RFID). This data saved cannot be traced back directly to an individual.

The data can be read using special (contactless) devices and shall only be used by Festool for fault diagnosis, repair and warranty processing and for quality improvement or enhancement of the power tool. The data shall not be used in any other way without the express consent of the customer.

DISTRIBUTED BY:
Pro Wood Finishes
14622 Southlawn Lane
Rockville MD 20850
Ph: (301) 424-3033

Festool GmbH
Wertstraße 20
73240 Wendlingen
Germany

FESTOOL

www.festoolusa.com

Instruction manual - Dust extractor

Page 6

IMPORTANT: Read all instructions before using.

Guide d'utilisation - Aspirateur

Page 16

IMPORTANT: Lire toutes les instructions avant de démarrer les travaux.

Manual de instrucciones - Sistemas móviles de aspiración

Página 27

IMPORTANTE: Lea todas las instrucciones antes de usar.

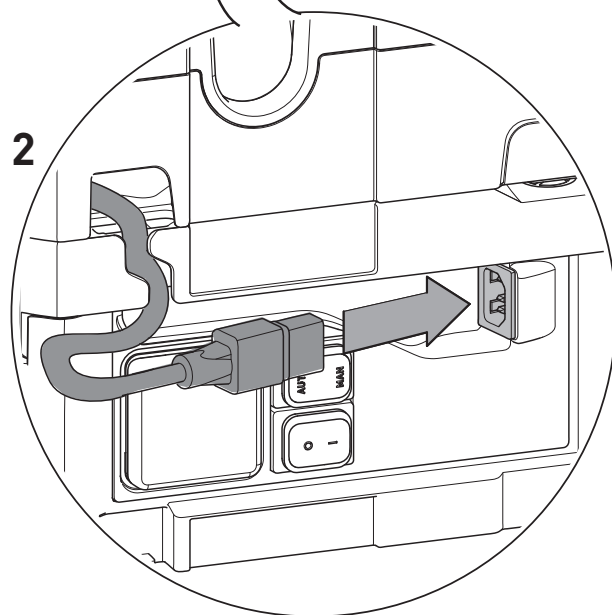
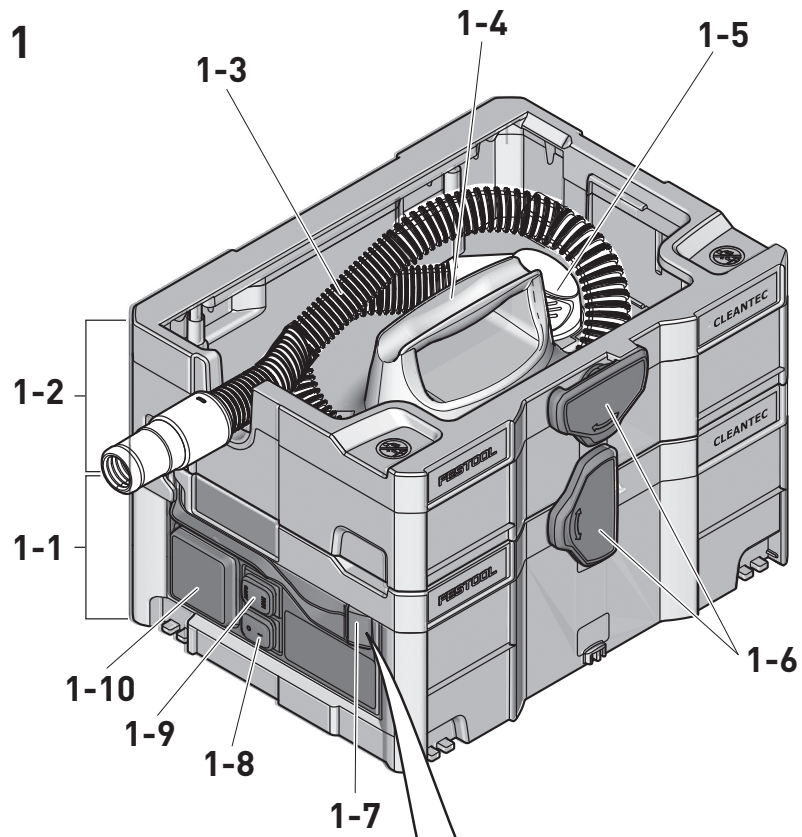
Instruction manual
Guide d'utilisation
Manual de instrucciones

CT SYS HEPA



708070_002

















Original operating manual

Symbols	6	Connecting electric power tools	11
About this manual	7	Connecting the suction hose.....	11
Safety instructions.....	7	Settings	12
IMPORTANT SAFETY INSTRUCTIONS .	7	Connect with the T-Loc	12
GROUNDING INSTRUCTIONS.....	8	Use/Adjust carrying strap	12
Further safety instructions.....	9	Temperature monitoring.....	13
Health hazard by dust.....	9	The antistatic system	13
Intended use	9	Working with the dust extractor	13
Technical data.....	10	Service and maintenance.....	14
Functional description.....	10	Changing the filter bag.....	15
Operation	10	Changing the filter element [9]	15
Extension Cord.....	10	Transport.....	15
Connect dust extractor	11	Environment.....	15

Symbols




Sym- bol	Significance
	Warning of general danger
	Risk of electric shock
	Read operating instructions and safety notices!
	Wear a dust mask.
	Tip or advice
	Handling instruction
	Warning! The machine may contain hazardous dust!
	Climbing prohibited
	Do not leave in the rain!
	Do not absorb any water or liquids!
	Risk of tilting!



Sym- bol	Significance
W	watt
h	hour
min	minutes
s	seconds
kg	kilograms
Pa	pascal
dB	decibel
V	volts
A	amperes
Hz	hertz
~ a.c.	alternating current
— d.c.	direct current
n_0	no load speed
	Class II construction
rpm min ⁻¹	revolutions per minute
"	inch
lbs.	pound
∅	diameter

About this manual

Save these instructions

It is important for you to read and understand this manual. The information it contains relates to protecting **your safety** and **preventing problems**. The symbols below are used to help you recognize this information.

 DANGER	Description of imminent hazard and failure to avoid hazard will result in death.
 WARNING	Description of hazard and possible resulting injuries or death.
 CAUTION	Description of hazard and possible resulting injuries.

 NOTICE	Statement including nature of hazard and possible result.
 HINT	Indicates information, notes, or tips for improving your success using the tool.

Safety instructions




IMPORTANT SAFETY INSTRUCTIONS

When using an electrical appliance, basic precautions should always be followed, including the following:

READ ALL INSTRUCTIONS

BEFORE USING THIS DUST EXTRACTOR:

-  **WARNING** - To reduce the risk of fire, electric shock, or injury:
 - Do not leave the dust extractor when plugged in. Unplug from outlet when not in use and before servicing.
- WARNING** - to Reduce the Risk Of Electric Shock - Do not use outdoors or on wet surfaces.
- Do not allow to be used as a toy. Close attention is necessary when used by or near children.
- Use only as describes in this manual. Use only manufacturer's recommended attachments.
- Do not use with damaged cord or plug. If the dust extractor is not working as it should, has been dropped, damaged, left outdoors, or dropped into water, return it to a service center.
- Do not pull or carry by cord, use cord as a handle, close a door on cord, or pull cord around sharp edges or corners. Do not run dust extractor over cord. Keep cord away

from heated surfaces.

- Do not unplug by pulling on cord. To unplug, grasp the plug, not the cord.
- Do not handle plug or dust extractor with wet hands.
- Do not put any object into openings. Do not use with any opening blocked; keep free of dust, lint, hair, and anything that may reduce air flow.
- Keep hair, loose clothing, fingers, and all parts of body away from openings and moving parts.
- Turn off all controls before unplugging.
- Use extra care when cleaning on stairs.
- Do not use to pick up flammable or combustible liquids, such as gasoline, or use in areas where they may be present.
- Connect to a properly grounded outlet only. See Grounding instructions.
- Do not pick up anything that is burning or smoking, such as cigarettes, matches, or hot ashes.
- Do not use without dust bag and/or filters in place.

SAVE THESE INSTRUCTIONS

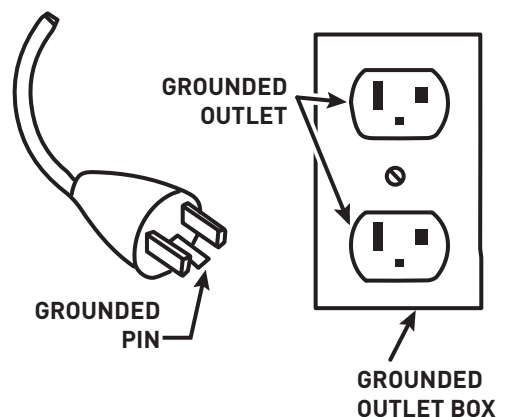
GROUNDING INSTRUCTIONS

This appliance must be grounded. If it should malfunction or breakdown, grounding provides a path of least resistance for electric current to reduce the risk of electric shock. This dust extractor is equipped with a cord having an equipment-grounding conductor and grounding plug. The plug must be inserted into a appropriate outlet that is properly installed and grounded in accordance with all local codes and ordinances.

⚠ WARNING - Improper connection of the equipment grounding conductor can result in a risk of electric shock. Check with a qualified electrician or service person if you are in doubt as to whether the outlet is properly grounded. Do not modify the plug provided with the dust extractor - if it will not fit the outlet, have a proper outlet installed by a qualified electrician.

This appliance is for use on a nominal 120-V circuit and has a grounding attachment plug that looks like the plug illustrated in sketch A in Figure beside. Make sure that the appliance is connected to an outlet having the same configuration as the plug. No adaptor should be used with this appliance.

GROUNDING METHODS - SKETCH A



Further safety instructions

- This appliance must not be used by persons (including children) with reduced physical, sensory or mental capabilities, or lack of experience and knowledge. **Children** need to be supervised to ensure they do not play with the appliance.



WARNING

This machine is for dry use only.



CAUTION

**This machine is for indoor use only.
This machine shall be stored indoors only.**

Health hazard by dust



WARNING! Various dust created by power sanding, sawing, grinding, drilling and other construction activities contains chemicals known (to the State of California) to cause cancer, birth defects or other reproductive harm. Some examples of these chemicals are:

- lead from lead-based paints,
- crystalline silica from bricks and cement and other masonry products, and
- arsenic and chromium from chemically treated lumber.



The risk from these exposures varies, depending on how often you do this type of work. To reduce your exposure to

these chemicals: work in a well ventilated area, and work with approved safety equipment, such as dust masks that are specially designed to filter out microscopic particles. Wash hands after handling.



WARNING

TO REDUCE THE RISK OF INJURY, USER MUST READ INSTRUCTION MANUAL.

Intended use

Dust extractor suitable for

- Extracting non-hazardous dust, dirt, sand and chips,
- for increased loads during commercial use, according to IEC/EN 60335-2-69.

The filtering performance of the overall unit, which is fitted with a HEPA filter element, corresponds to

HEPA quality H 13 (medium degree of filtration 99.95%).

Dust extractor **not recommended** for continuous aspiration and extraction of fine dust, such as cement dust or filler.

Dust extractor **not** suitable for extracting water and liquids.



The user is liable for improper or non-intended use.

Technical data

Dust extractor

Power consumption			8.3 A
Maximum appliance socket connected load			12 A
Max. suction capacity (air), extractor/turbine			108 m ³ /h / 180 m ³ /h
Max. vacuum, turbine			96 static water lift (200 hPa)
Filter surface area			4.08 ft ² (3786 cm ²)
Suction hose			D 1 1/16 x 3/32" (D 27 mm x 3.0 m-AS)
Length of the net cable			16.4 ft (5.0 m)
Sound pressure level as per EN 60704-2-1 / Uncertainty K			67 dB(A) / 3 dB
Protection class			IP X0
Container capacity			1.19 gal. (4.5 l)
Dimensions L x W x H	only CT SYS HEPA	15.6 x 11.7 x 6.2" (396 x 296 x 162 mm)	
	CT SYS HEPA with storage box	15.6 x 11.7 x 10.6" (396 x 296 x 270 mm)	
Weight	CT SYS HEPA with storage box	15.2 lbs. (6.9 kg)	

Functional description


The pictures for the functional description are on a fold-out page at the beginning of the instruction manual. When reading of the manual you can fold out this page for having always an overview of the machine.

- [1-1]** Dust extractor
- [1-2]** Storage box
- [1-3]** Extractor hose

- [1-4]** Handle
- [1-5]** Angle adapter
- [1-6]** T-LOC latch for Systainers
- [1-7]** Cold-device plug
- [1-8]** On/Off switch
- [1-9]** AUTO/MAN switch
- [1-10]** Appliance socket

Operation

Consider the pictures on the fold-out page.



WARNING

Unauthorised voltage or frequency!

Risk of accidents

- ▶ Observe the specifications on the machine's name plate.
- ▶ Observe country-specific regulations.

Extension Cord

If an extension cord is required, it must have suffi-

cient cross-section to prevent an excessive drop in voltage or overheating. An excessive drop in voltage reduces the output and can lead to failure of the motor. The table below shows you the correct cord diameter as a function of the cord length for this tool.

Total Extension Cord Length (feet)	25	50	100	150
Cable size (AWG)	18	16	14	12

Use only U.L. and CSA listed extension cords.

Never use two extension cords together. Instead,

use one long one.

- ① The lower the AWG number, the stronger the cord.

Connect dust extractor



WARNING

Risk of injury from tools starting up unexpectedly

- ▶ Before switching on ensure that the connected tool is switched off.
- ▶ Insert the mains power cable in the cold-device connector [2] and in an earthed socket.
- ▶ Lay the mains cable through the recess [2].

The switch [1-8] serves as an on/off switch.

Using the [1-9] switch, switch between the AUTO and MAN settings.

"MAN" switch position

Appliance socket [1-10] is not connected to the power, the dust extractor starts.

"Auto" switch position

Appliance socket [1-10] is connected to the power, the dust extractor starts when the connected tool is switched on.



Pull the plug from the socket when the machine is not in use and prior to maintenance and cleaning work.

Connecting electric power tools



WARNING

Risk of injury

- ▶ Observe the maximum appliance socket connected load (see chapter "Technical data")
- ▶ Switch off the electric power tool.

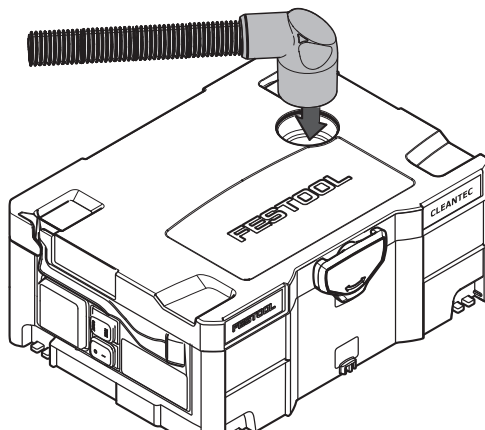
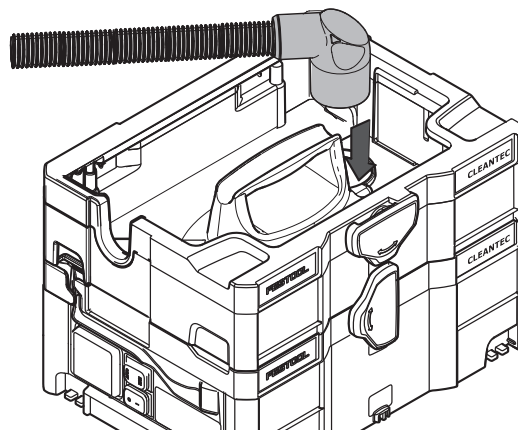
– Always use the socket on the machine for the purpose specified!

- ▶ Connect the electric power tool to the appliance socket [1-10].

Connecting the suction hose

at the extraction opening [3]

- ▶ Connect the suction hose to the elbow at the extraction opening.


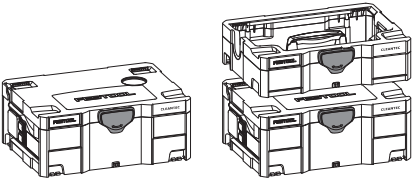

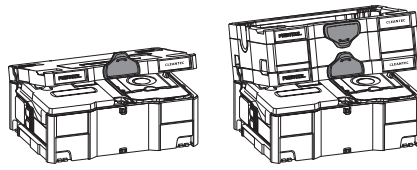
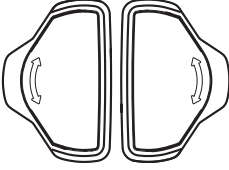
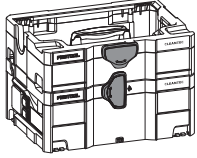


3

Settings

Connect with the T-Loc

The dust extractor can be closed, opened and connected by turning the T-Loc:

Close dust extractor		
Open dust extractor		
Connect dust extractor to storage box		



Before lifting, always close the T-Loc at the dust extractor or connect to the storage box and check for secure holding.

Max. load for connection to other Systainers: 44.09 lbs. (20 kg)

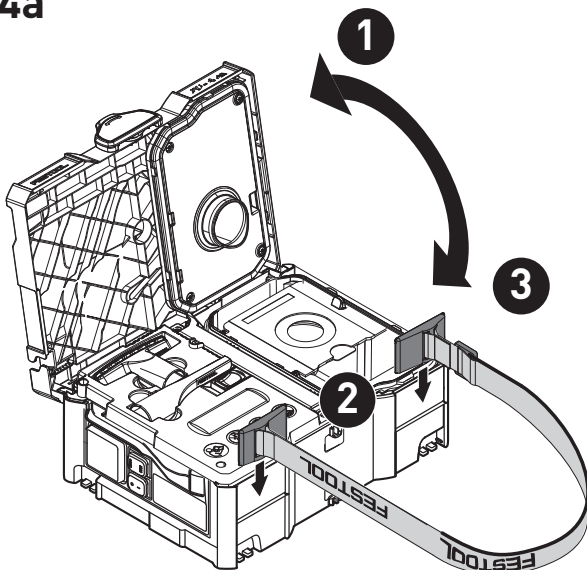
Use/Adjust carrying strap

Max. permissible load of carrying strap: 44.09 lbs. (20 kg)

The carrying strap can be attached in two different positions:

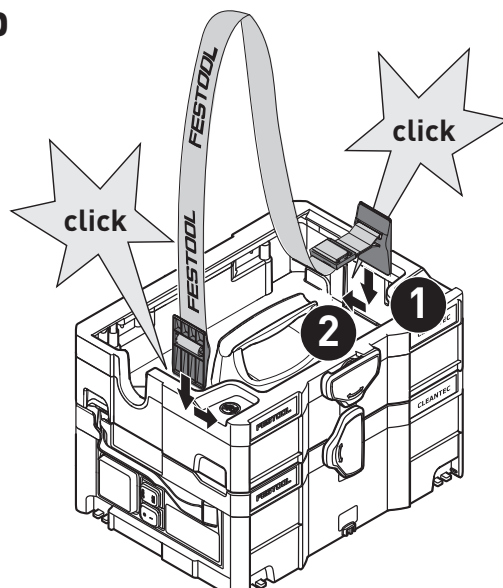
- **Carrying the dust extractor:** Carrying strap at dust extractor [4a]


4a



- **Carrying storage box with dust extractor:** Carrying strap at storage box [4b]

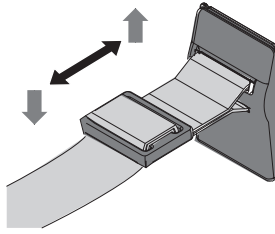
4b



 Before lifting, check the carrying strap for proper functionality and put T-loc at dust extractor into corresponding position.

Adjust the length of the carrying strap at the adjusting tab **[4c]**.

4c



Temperature monitoring

Before reaching a critical temperature, the temperature monitor switches off the dust extractor.

► Switch off the dust extractor, allow to cool for about 5 minutes, then switch on again.

① Not possible to switch on: Contact Festool customer service workshop.

The antistatic system

Friction inside the extraction hose causes static electricity to develop during extraction. Operating personnel may receive unpleasant electric shocks while working. The mobile dust extractor is fitted with an antistatic system as standard to discharge any static electricity that may develop. However, always use the enclosed antistatic extraction hose.

Working with the dust extractor



WARNING

Not suitable to vacuum hazardous or toxic substances or dusts e.g. asbestos.

► The filters will not be able to capture all particles and may exhaust them back into the environment.



CAUTION

Hazardous dust

Damage to the respiratory passage

► Always use a filter bag!

① Two cleaning nozzles are stored in the inside of the dust extractor **[5-1]**.

– Risk of tilting, do not place on sloped areas!

Observe the following instructions:

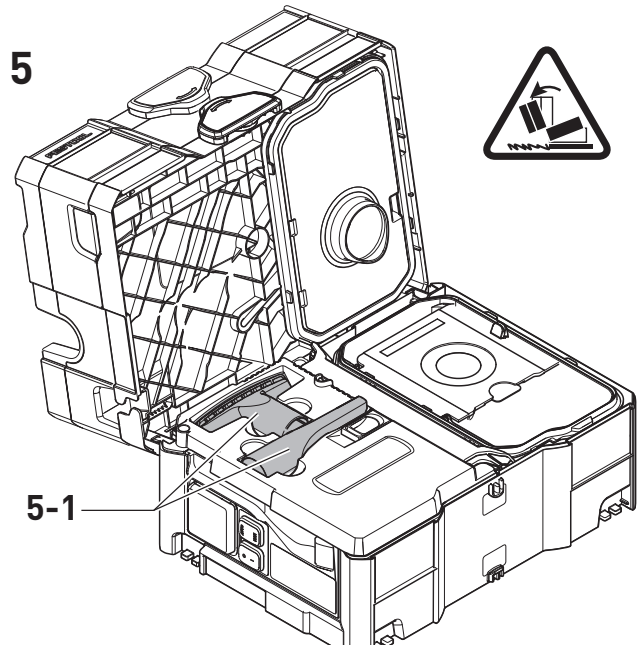
– **Risk of explosion and fire: Do not absorb:**

- Sparks or hot dust;
- Combustible or explosive materials (e.g. magnesium, aluminium, petrol, diluting agents);
- Aggressive materials (e.g. acid, alkaline solutions, solvents);
- Chemically reactive materials, which lead to the generation of heat, acids/bases, gases,

etc. (e.g. reactive 2-component materials, aluminium and water).

– Observe all national safety regulations as well as the material manufacturer's specifications!

5



– Do not lift or transport using a crane hook or lifting gear!

– Always use suitable protective equipment!

– If intact following a visual inspection, work in a dry environment according to instructions!

– The dust extractor is a stationary system and not suitable for pulling at the cable and hose. Use handle **[1-4]**.

- Static charge may occur if an anti-static suction hose is not used. The user may suffer an electric shock.

Please note the following after the work:

- ▶ Switch off the dust extractor and pull out the mains plug.
- ▶ Wind up the mains power cable.

- ▶ Empty the dirt trap.
- ▶ Place suction hose [1-3] and mains power cable in storage box.
- ▶ Clean inside and outside of dust extractor by applying vacuum and wipe.
- ▶ Place the dust extractor in a dry room inaccessible to unauthorised users.

Troubleshooting

Flow noise during dust extraction

Automatic bypass: A valve opens that supplies the turbine with cooling air:

cause	Blocked filter element, filter bag full or blocked suction hose
Solution	Empty container, replace or clean filter element, replace filter bag, check suction hose for blockage and remove, if necessary

Service and maintenance



WARNING

Any maintenance or repair work that requires opening of the motor or gear housing should only be carried out by an authorised Customer Service Centre (name supplied by your dealer)!

- ▶ Maintenance or repair work carried out by an unauthorised person can lead to the wrong connection of the power cord or other components, which in turn can lead to accidents with serious consequences.



WARNING

To prevent accidents, always remove the plug from the power supply socket before carrying out any changes or maintenance work on the tool!

- ▶ Do not use compressed air to clean the electrical tool! Do not try to clean parts inside the tool in this way, as you could let foreign objects in through the openings of the tool housing.



Customer service and repair only through manufacturer or service workshops: Please find the nearest address at: www.festoolusa.com/service



Use only original Festool spare parts! Order No. at: www.festoolusa.com/service

- ▶ Regularly replace the filter bag and clean the container and seals.

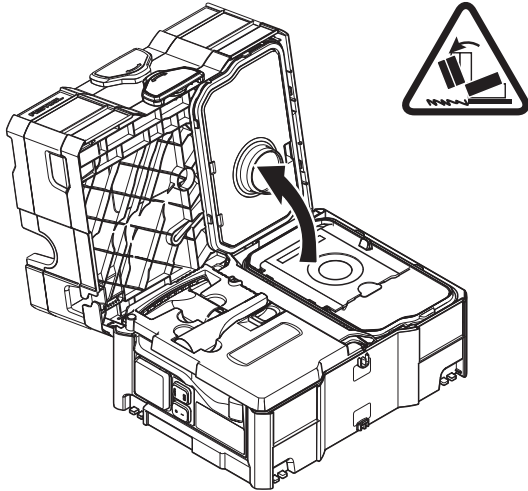
Observe the following instructions:

- The manufacturer or an instructed person must perform a dust test at least once a year to determine whether the filter is damaged, the machine is sealed properly and the monitoring features are functioning correctly.
- Anything that cannot be cleaned must be discarded in impermeable bags. Observe applicable disposal regulations!

Changing the filter bag

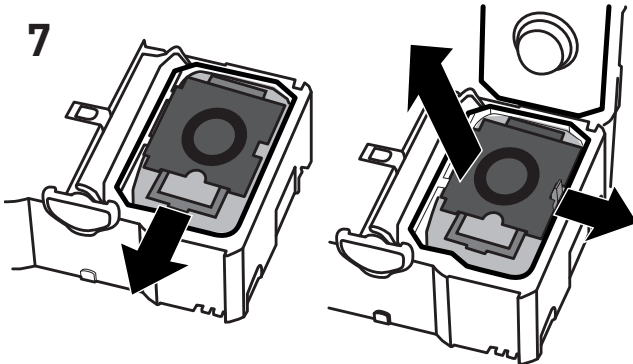
- ▶ Open dust extractor with T-Loc [6]. **Attention: Risk of tilting!**

6



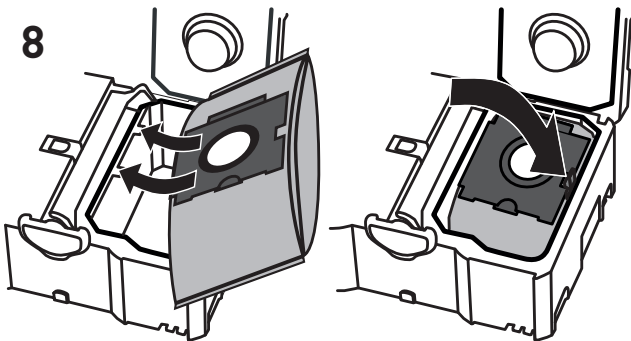
- ▶ Changing the filter bag:
 - ▶ Remove filter bag [7].

7



- ▶ Insert a filter bag [8].

8



- ▶ Close dust extractor with T-Loc.

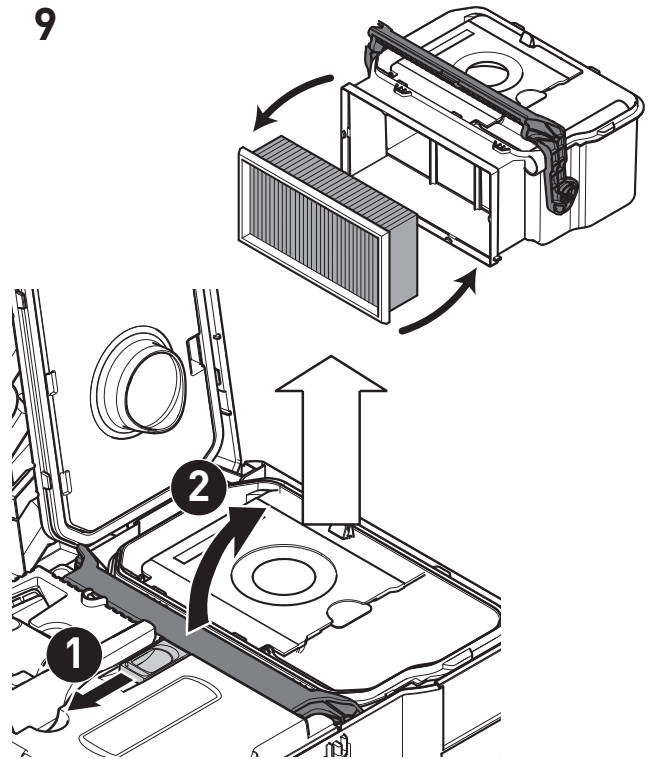
Changing the filter element [9]

NOTE

Motor damage

- ▶ Never operate the extractor without a filter element fitted as the motor may become damaged.

9



- ▶ Open dust extractor with T-Loc [6]. **Attention: Risk of tilting!**
 - ▶ Unlock and fold down lever.
 - ▶ Remove container upwards.
 - ▶ Remove used filter element and replace with a new one.
 - ▶ Dispose of the used filter element in accordance with statutory regulations.
 - ▶ Clean container and seals.
 - ▶ Insert container. Fold up and lock lever.
 - ▶ Close dust extractor with T-Loc.
- ⓘ The order numbers for accessories, filters and consumables can be found in the Festool catalogue or on the internet at www.festoolusa.com.

Transport

Observe the following instructions:

- Before transportation, always close the T-Loc at the dust extractor or connect to the storage box.
- For transportation in vehicles, secure the device against slipping and tilting in accordance with the valid guidelines.

Environment

Do not dispose of the device as domestic waste! Dispose of machines, accessories and packaging at an environmentally responsible recycling centre. Observe the respective national regulations.