

DISTRIBUTED BY:
Pro Wood Finishes
14622 Southlawn Lane
Rockville MD 20850
Ph: (301) 424-3033



DOCUMENTATION - DOKUMENTATION - DOCUMENTACIÓN

POMPE A MEMBRANES / DIAPHRAGM PUMP / DOPPELMEMBRANPUMPE / BOMBA DE

MEMBRANAS

PMP 150

Notice / Manual / Betriebsanleitung / Libro : 582.008.110 - 1605

Date / Datum / Fecha : 27/05/16

Annule / Supersede / Ersetzt / Anula :

Modif. / Änderung :

NOTICE ORIGINALE / TRANSLATION FROM THE ORIGINAL MANUAL
/ ÜBERSETZUNG DER ORIGINAL BETRIEBSANLEITUNG
/ TRADUCCIÓN DEL MANUAL ORIGINAL

IMPORTANT : Lire attentivement tous les documents avant le stockage, l'installation ou la mise en service du matériel concerné (à usage strictement professionnel).

Before assembly and start-up, please read and clearly understand all the documents relating to this equipment (professional use only).

WICHTIGER HINWEIS: Vor Lagerung, Installation oder Inbetriebnahme des Geräts bitte sämtliche Dokumente sorgfältig lesen (Einsatz nur von geschultem Personal).

IMPORTANTE : Lea con atención todos los documentos antes de almacenar, instalar o poner en marcha el equipo (uso exclusivamente profesional).

PHOTOS ET ILLUSTRATIONS NON CONTRACTUELLES. MATERIELS SUJETS A MODIFICATION(S) SANS PREAVIS.

THE PICTURES AND DRAWINGS ARE NON CONTRACTUAL. WE RESERVE THE RIGHT TO MAKE CHANGES WITHOUT PRIOR NOTICE.

ALLE IN DIESEM DOKUMENT ENTHALTENEN SCHRIFTLICHEN ANGABEN UND ABBILDUNGEN STELLEN DIE NEUESTEN

PRODUKTINFORMATIONEN DAR. WIR BEHALTEN UNS DAS RECHT VOR, JEDERZEIT OHNE VORANKÜNDIGUNG ÄNDERUNGEN VORZUNEHMEN.

LAS FOTOGRAFÍAS E ILUSTRACIONES NO SON VINCULANTES. LOS MATERIALES ESTÁN SUJETOS A CAMBIOS SIN PREVIO AVISO.

KREMLIN - REXSON

150, avenue de Stalingrad

93 245 - STAINS CEDEX - France

☎ : 33 (0)1 49 40 25 25 Fax : 33 (0)1 48 26 07 16

www.kremlin-rexson.com



INSTALLATION AND SAFETY INSTRUCTIONS

TRANSLATION OF THE ORIGINAL MANUAL

IMPORTANT : Before assembly and start-up, please read and clearly understand all the documents relating to this equipment (professional use only).

THE PICTURES AND DRAWINGS ARE NON CONTRACTUAL. WE RESERVE THE RIGHT TO MAKE CHANGES WITHOUT PRIOR NOTICE.

KREMLIN - REXSON

150, avenue de Stalingrad

93 245 - STAINS CEDEX – France

☎ : 33 (0)1 49 40 25 25 Fax : 33 (0)1 48 26 07 16

www.kremlin-rexson.com

1. SAFETY INSTRUCTIONS

GENERAL SAFETY INSTRUCTIONS



CAUTION : The equipment can be dangerous if you do not follow our instructions concerning installation and servicing described in this manual and in accordance with applicable European standards and local national safety regulations.

Please carefully read all the instruction literature before operating your equipment.

Only trained operators can use the equipment (To acquire an essential training, please contact the "KREMLIN REXSON University" training center - Stains).

The foreman must ensure that the operator has understood the safety instructions for this equipment as well as the instructions in the manuals for the different parts and accessories.

Read carefully all instruction manuals, label markings before operating the equipment.



















Incorrect use may result in injury. This equipment is for professional use only. It must be used only for what it has been designed for. Never modify the equipment. The parts and accessories supplied must be regularly inspected. Defective or worn parts must be replaced.

Guards (motor cover, coupling shields, connectors,...) have been designed for a safe use of the equipment.
The manufacturer will not be held responsible for bodily injury or failure and / or property damage due to destruction, the overshadowing or the partial or total removal of the guards.

Never exceed the equipment components' maximum working pressure.

Comply with regulations concerning safety, fire risks, electrical regulations in force in the country of final destination of the material. Use only products or solvent compatible with the parts in contact with the material (refer to data sheet of the material manufacturer).

PICTOGRAMS

					
NIP HAZARD	WARNING MOVING ELEVATOR	WARNING MOVING PARTS	WARNING MOVING SHOVEL	DO NOT EXCEED THIS PRESSURE	HIGH PRESSURE HAZARD
					
RELIEF OR DRAIN VALVE	WARNING HOSE UNDER PRESSURE	WEAR GLASSES OBLIGATORY	WEAR OF GLOVES IS OBLIGATORY	PRODUCT VAPOR HAZARDS	WARNING HOT PARTS OR AREAS
					
ELECTRICAL HAZARD	WARNING FIRE HAZARDS	EXPLOSION HAZARDS	GROUNDING	WARNING (USER)	WARNING SERIOUS INJURIES

FIRE - EXPLOSION - SPARKS - STATIC ELECTRICITY HAZARDS

A poor earth connection, inadequate ventilation, sparks or static electricity can cause an explosion or fire. To avoid these risks when using or servicing KREMLIN REXSON equipment, the following safety procedures must be followed :



- ensure a good earth connection and ground the parts to be handled i.e. solvents, materials, components and equipment,
- ensure adequate ventilation,
- keep working area clean and free from waste solvents, chemicals, or solid waste i.e. rags, paper and empty chemicals drums,
- never use electrical switches / power if in an atmosphere of volatile solvent vapour,
- stop working immediately in case of electrical arcs,
- never store chemicals and solvents in the working area.
- use paint whose flash point is the highest possible to prevent from any formation of gas and inflammable vapours (refer to materials' safety instructions),
- install a cover on the drums to reduce the diffusion of gas and vapours in the spraybooth.

TOXIC PRODUCT HAZARDS

Toxic products or vapours can cause severe injury not only through contact with the body, but also if the products are ingested or inhaled. It is imperative :



- to know the material products and their risks,
- notified or hazardous materials must be stored in accordance with the regulations,
- the material must be stored in an appropriate container, never place materials in a container where there is a risk of spillage or leakage,
- a procedure must be applied for the safe disposal of waste material. It must comply with all prevailing regulations and legislations of the country where the equipment is to be used,
- protective clothing should always be worn in compliance with the material manufacturers' recommendations,
- depending on the application and chemical safety instructions, safety glasses, hearing protective earplug, gloves, foot wear, protective masks and possible breathing equipment should be worn to comply with the regulations (Refer to chapter "Safety equipment of KREMLIN selection guide).



CAUTION!



It is forbidden to use material containing high concentrations of halogenated hydrocarbon solvents with **aluminium** or **zinc fillers**. Non-compliance with the instructions may cause explosion risk causing serious or fatal injury.

EQUIPMENT REQUIREMENTS

Guards (motor cover, coupling shields, connectors,...) have been designed for a safe use of the equipment.

The manufacturer will not be held responsible for bodily injury or failure and / or property damage due to destruction, the overshadowing or the partial or total removal of the guards.

PUMP



Before carrying out any work, it is imperative to read and clearly understand the disassembly and reassembly instructions before servicing. The operator must understand the equipment and the safety instructions. These instructions are available in the equipment manuals.



The air motor is designed to be mounted with a pump. Never modify any components or couplings. When operating, please keep hands away from moving parts. Before starting up the equipment, please read the PRESSURE RELIEF instructions. Please ensure that any relief or drain valves fitted are in good working order.

HOSES

- Keep hoses out of circulation areas, moving parts or hot surfaces,
- Never expose product hoses to temperature higher than + 60°C / 140° F or lower than 0°C / 32° F,
- Never pull or use the hoses to move the equipment,
- Tighten all fittings as well as the hoses before operating the equipment,
- Check the hoses regularly; change them if they are damaged,
- Never exceed the working pressure (WP) indicated on the hose.

USED PRODUCTS

Considering the wide variety of products that are available and can be used in our equipment it is impossible to check and make recommendations for all chemical data, regarding the risks of possible chemical attack and their long term chemical reaction


KREMLIN REXSON can not be held liable for :

- Compatibility of wetted parts,
- Risks to staff and the surroundings,
- for worn or defective parts, for faulty equipment or units, or the quality of final product.

It is the responsibility of the user to know and prevent any possible risks such as toxic vapours, fires or explosions. He shall determine the risks of immediate reactions or pursuant to repeated exposures of the staff,

KREMLIN REXSON shall not be liable for physical injuries, direct or indirect material damages caused by the use of chemicals.

2. HANDLING

 **Check the weight and the dimensions of the equipment**
(🔗 refer to 'Technical features' section of the instruction manual)

If weight and dimensions are too important, the unloading must be carried out by means of a forklift or any other appropriate means with a qualified personnel and in a clear horizontal area to prevent from risks of damage injury or an accident.

The centre of gravity is not in the centre of the machine : carry out by hand a stability-test after having lifted the whole at 10 cm / 3.937" maximum.

After the unloading, the handling of the whole (eg: elevator pump) is carried out by means of a pallet truck taking the bottom part of the frame.

Remark : Each pump motor is fitted with a ring. The ring is designed for the hoisting of one pump and can not be used for the handling of the complete machine.

3. STORING

Storing before installation :

- Storing ambient temperature : 0 / +50 °C / 0 / +122°F
- Protect the whole against dust, water trickling, dampness and shocks.

Storing after installation :

- Operating temperature : +15 / +35 °C / +59 / +138.2° F
- Protect the whole against dust, water trickling, dampness and shocks.

4. INSTALLATION OF THE EQUIPMENT

The machine is installed on a stable horizontal floor (for eg a concrete flag).



To avoid risks caused by static electricity, the equipment as well as its components must be grounded.

- **For the pumping equipments** (pumps, pneumatic rams, frame...), a section wire of 2.5 mm² is fixed on the material. Use this wire to connect the material to "the general ground". In case of severe environments (mechanical protection of the wire of earthing insufficient, vibrations, mobile material...) where function damages at the ground are probable, the user have to replace the provided wire of 2.5 mm² by a device more adapted to its environment (wire with a more important section, bonding strip, fixing by thimble with eyelet...),

The continuity of the ground must be controlled by a qualified electrician. If the continuity of the ground is not ensured, check the terminal, the wire and the earthing point. **Never** use the material without have solved this problem.

- In the severe cases of environments (mechanical protection of the wire of earthing insufficient, vibrations, mobile material...) where damages of the function put at the ground are probable, the user will have to replace the wire of 2.5 mm² provided, by a device more adapted to its environment (wire of more important section, bonding strip, fixing by thimble with eyelet...),
- **The gun** must be 'grounded' via a material hose or an air hose. In case of spraying by means of a gun with cup, the air hose must be conductive,
- **The materials to be painted** must also be grounded.

All the materials situated in the working area shall be grounded.



- **Never store** more than necessary inflammable materials inside the working area,
- The materials must be stored into **approved drums** and grounded,
- Use only grounded **metals containers** for the use of cleaning solvents,
- **Cardboard and paper are prohibited.**

5. MARKING OF THE EQUIPMENT

Each equipment has a marking plate.

The plate consists of the name of the manufacturer, the equipment part number and important information for correct use of the equipment (air pressure, electric power,...).



<p align="center">FR</p> <p><u>Pour une utilisation sûre, il est de votre responsabilité de :</u></p> <ul style="list-style-type: none"> • Lire attentivement tous les documents contenus dans le CD joint avant la mise en service de l'équipement, • D'installer, d'utiliser, d'entretenir et de réparer l'équipement conformément aux préconisations de KREMLIN REXSON ainsi qu'aux réglementations nationales et/ou locales, • Vous assurez que les utilisateurs de cet équipement ont été formés, ont parfaitement compris les règles de sécurité et qu'ils les appliquent. 	<p align="center">UK</p> <p><u>To ensure safe use of the machinery, it is your responsibility to:</u></p> <ul style="list-style-type: none"> • Carefully read all documents contained on the enclosed CD before putting the machinery into service, • Install, use, maintain and repair the machinery in accordance with KREMLIN REXSON's recommendations and national and/or local regulations, • Make sure that the users of the machinery have received proper training and that they have perfectly understood the safety rules and apply them. 	<p align="center">DE</p> <p><u>Eine sichere Nutzung setzt voraus, dass Sie: :</u></p> <ul style="list-style-type: none"> • alle in der CD enthaltenen Dokumente vor der Inbetriebnahme der Anlage aufmerksam lesen, • die Anlage im Einklang mit den Empfehlungen von KREMLIN REXSON sowie mit den nationalen und/oder lokalen Bestimmungen installieren, verwenden, warten und reparieren, • sich vergewissern, dass die Nutzer dieser Anlage angemessen geschult wurden, die Sicherheitsbestimmungen verstanden haben und sie anwenden.
<p align="center">ES</p> <p><u>Para una utilización segura, será de su responsabilidad:</u></p> <ul style="list-style-type: none"> • leer atentamente todos los documentos que se incluyen en el CD adjunto antes de la puesta en servicio del equipo, • instalar, utilizar, efectuar el mantenimiento y reparar el equipo con arreglo a las recomendaciones de KREMLIN REXSON y a la normativa nacional y/o local, • cerciorarse de que los usuarios de este equipo han recibido la formación necesaria, han entendido perfectamente las normas de seguridad y las aplican. 	<p align="center">IT</p> <p><u>Per un uso sicuro, vi invitiamo a:</u></p> <ul style="list-style-type: none"> • leggere attentamente tutta la documentazione contenuta nel CD allegato prima della messa in funzione dell'apparecchio, • installare, utilizzare, mantenere e riparare l'apparecchio rispettando le raccomandazioni di KREMLIN REXSON, nonché le normative nazionali e/o locali, • accertarvi che gli utilizzatori dell'apparecchio abbiano ricevuto adeguata formazione, abbiano perfettamente compreso le regole di sicurezza e le applichino. 	<p align="center">PT</p> <p><u>Para uma utilização segura, é da sua responsabilidade:</u></p> <ul style="list-style-type: none"> • Ler atentamente todos os documentos incluídos no CD em anexo antes de pôr o equipamento em funcionamento, • Proceder à instalação, utilização, manutenção e reparação do equipamento de acordo com as preconizações de KREMLIN REXSON, bem como com outros regulamentos nacionais e/ou locais aplicáveis, • Assegurar-se que os utilizadores do equipamento foram devidamente capacitados, compreenderam perfeitamente e aplicam as devidas regras de segurança.
<p align="center">NL</p> <p><u>Voor een veilig gebruik dient u:</u></p> <ul style="list-style-type: none"> • alle document op de bijgevoegde cd aandachtig te lezen alvorens het apparaat in werking te stellen, • het apparaat te installeren, gebruiken, onderhouden en repareren volgens de door KREMLIN REXSON gegeven aanbevelingen en overeenkomstig de nationale en/of plaatselijke reglementeringen, • zeker te stellen dat de gebruikers van dit apparaat zijn opgeleid, de veiligheidsregels perfect hebben begrepen en dat zij die ook toepassen. 	<p align="center">SE</p> <p><u>För en säker användning av utrustningen ansvarar ni för följande:</u></p> <ul style="list-style-type: none"> • Läs noga samtliga dokument som finns på den medföljande cd-skivan innan utrustningen tas i drift. • Installera, använd, underhåll och reparera utrustningen enligt anvisningarna från KREMLIN REXSON och enligt nationella och/eller lokala bestämmelser. • Försäkra er om att användare av denna utrustning erhållit utbildning, till fullo förstått säkerhetsföreskrifterna och tillämpar dem. 	<p align="center">FI</p> <p><u>Käytön turvallisuuden varmistamiseksi velvollisuutesi on:</u></p> <ul style="list-style-type: none"> • Lukea huolella kaikki CD:llä olevat asiakirjat ennen laitteiston käyttöönottoa, • Noudattaa laitteiston asennuksessa, käytössä, kunnossapidossa ja huollossa KREMLIN REXSON in suosituksia sekä kansallisia ja/tai paikallisia määräyksiä, • Varmistaa, että laitteiston käyttäjät ovat koulutettuja ja ymmärtävät täysin turvallisuusmääräykset ja miten niitä sovelletaan.
<p align="center">PL</p> <p><u>Dla zapewnienia bezpiecznego użytkowania na użytkownika spoczywa obowiązek:</u></p> <ul style="list-style-type: none"> • Uważnego zapoznania się ze wszystkimi dokumentami znajdującymi się na załączonej płycie CD przed pierwszym uruchomieniem urządzenia, • Instalowania, użytkowania, konserwacji i naprawy urządzenia zgodnie z zaleceniami firmy KREMLIN REXSON oraz z przepisami miejscowymi, • Upewnienia, że wszyscy przeszkoleni użytkownicy urządzenia zrozumieli zasady bezpieczeństwa i stosują się do nich. 	<p align="center">CS</p> <p><u>Pro bezpečné používání jste povinni:</u></p> <ul style="list-style-type: none"> • Před uvedením zařízení do provozu si pozorně přečíst veškeré dokumenty obsažené na příloženém CD, • Nainstalovat, používat, udržovat a opravovat zařízení v souladu s pokyny firmy KREMLIN REXSON a s národními a/nebo místními legislativními předpisy, • Ujistit se, že uživatelé tohoto zařízení byli vyškoleni, že dokonale pochopili bezpečnostní pravidla a že je dodržují. 	<p align="center">RU</p> <p><u>Для целей безопасного использования необходимо:</u></p> <ul style="list-style-type: none"> • Ознакомиться со всеми документами, содержащимися в прилагаемом компакт-диске до ввода оборудования в эксплуатацию; • Устанавливать, использовать, производить техническое обслуживание и ремонт оборудования в соответствии с рекомендациями KREMLIN REXSON и национальным и/или местным законодательством; • Убедиться, что пользователи настоящего оборудования прошли подготовку, надлежащим образом усвоили правила безопасности и обеспечивают их соблюдение.

Déclaration(s) de conformité au verso de ce document / Declaration(s) of conformity at the back of this document / Konformitätserklärung(en) auf der Rückseite dieser Unterlage / Declaración (es) de conformidad en el reverso de este documento / Dichiarazione/i di conformità sul retro del presente documento / Declaração(ões) de conformidade no verso do documento / Conformiteitsverklaring(en) op de keerzijde van dit document / Försäkran om överensstämmelse på omstående sida av detta dokument / Vaatimustenmukaisuusvakuutukset tämän asiakirjan kääntöpuolella / Deklaracja(e) zgodności na odwrocie dokumentu / Prohlášení o shodě se nachází/nacházejí na zadní straně tohoto dokumentu / Сертификат(ы) соответствия расположены на оборотной стороне настоящего документа

VALABLE JUSQU'AU 19 AVRIL 2016
VALID UNTIL 19 APRIL 2016
GÜLTIG BIS ZUM 19. APRIL 2016
VALIDEZ HASTA EL 19 DE ABRIL DE 2016
VALIDO FINO AL 19 APRILE 2016
APLICÁVEL ATÉ 19 DE ABRIL DE 2016
GELDIG TOT 19 APRIL 2016
GÄLLER TILL OCH MED DEN 19 APRIL 2016
VOIMASSA 19.4.2016 SAAKKA
WAŻNOŚĆ DO 19 KWIETNIA 2016 R.
PLATÍ DO 19. DUBNA 2016
ДЕЙСТВИТЕЛЬНО ДО 19 АПРЕЛЯ 2016 ГОДА



DECLARATION CE DE CONFORMITE
EC DECLARATION OF CONFORMITY
EG KONFORMITÄTSERKLÄRUNG
DECLARACIÓN CE DE CONFORMIDAD
DICHIARAZIONE CE DI CONFORMITÀ
DECLARAÇÃO CE DE CONFORMIDADE
EG-VERKLARING VAN OVEREENSTEMMING
EG-FÖRSÄKRAN OM ÖVERENSSTÄMMELSE
EY-VAATIMUKSEN MUKAISUUSVAKUUTUS
DEKLARACJA ZGODNOŚCI CE
CE PROHLÁŠENÍ O SHODĚ
ДЕКЛАРАЦИЯ СООТВЕТСТВИЯ CE


Le fabricant / The manufacturer / Der Hersteller / El fabricante / Il produttore / O fabricante / De fabrikant / Tillverkare / Valmistaja / Producent / Výrobce / Изготовитель:	KREMLIN REXSON 150, avenue de Stalingrad 93 240 - STAINS - FRANCE Tél. 33 (0)1 49 40 25 25 - Fax : 33 (0)1 48 26 07 16
--	--

Déclare que le matériel désigné ci-après / Herewith declares that the equipment / erklårt hiermit, dass die / Declara que el material designado a continuación / Dichiaro che il materiale sottoindicato / Declara que o material a seguir designado / verklaart dat de hieronder aangeduide apparatuur / Kungör att den utrustning som anges här nedan / ilmoittaa, että alla mainitut laitteistot / Oświadczka, że wymienione poniżej urządzenia / Prohlašuje, že níže uvedené vybavení / Декларирует, что ниженазванное оборудование:

POMPES A MEMBRANES / DIAPHRAGM PUMPS / DOPPEL-MEMBRANPUMPEN / BOMBAS DE MEMBRANAS

PMP 150
PDM 01-175


Est conforme à la législation d'harmonisation de l'Union applicable suivante / Is in conformity with the relevant Union harmonisation legislation / Erfüllt die einschlägigen Harmonisierungsrechtsvorschriften der Union / es conforme con la legislación de armonización pertinente de la Unión / è conforme alla pertinente normativa di armonizzazione dell'Unione / in overeenstemming met de desbetreffende harmonisatiewetgeving van de Unie / med den relevanta harmoniserade unionslagstiftningen / on asiaa koskevan unionin yhdenmukaistamislainsäädännön vaatimusten mukainen / jest zgodny z odpowiednimi wymaganiami unijnego prawodawstwa harmonizacyjnego / Shoduje se s následující příslušnou evropskou harmonizační legislativou / Соответствует следующим стандартизированным нормам Союза

Directive ATEX / ATEX Directive / ATEX Richtlinie / Directiva ATEX / Direttiva ATEX / Diretiva ATEX / ATEX-Richtlijn / ATEX-direktivet / ATEX-direktivi / Dyrektywa ATEX / Směrnice ATEX / Директива ATEX 	94/9/CE
--	----------------

Dominique LAGOUGE

Directeur Général / Chief Executive Officer / Generaldirektor
 / Director General / Direttore Generale / Director Geral / Algemeen
 Directeur / Generaldirektör / Pääjohtaja / Dyrektor Naczelny
 / Dyrektor Generalny / Generální ředitel / Генеральный директор

Fait à Stains, le / Established in Stains, on / Geschehen zu Stains, am / En Stains, a / Redatto a Stains, / Vastgesteld te Stains, / Utformat i Stains, den / Stains, Ranska, / Sporządzono w Stains, dnia / Stains, dnia / Издано в г. Стен (Stains) 21/01/2010 - 01/21/2010

VALABLE A PARTIR DU 20 AVRIL 2016 VALID FROM 20 APRIL 2016 GÜLTIG AB DEM 20. APRIL 2016 VALIDEZ A PARTIR DEL 20 DE ABRIL DE 2016 VALIDO A PARTIRE DAL 20 APRILE 2016 APLICÁVEL A PARTIR DE 20 DE ABRIL DE 2016 GELDIG VANAF 20 APRIL 2016. GÄLLER FRÅN OCH MED DEN 20 APRIL 2016 VOIMASSA 20.4.2016 ALKAEN WAŻNOŚĆ OD 20 KWIETNIA 2016 R. PLATÍ OD 20. DUBNA 2016 ДЕЙСТВИТЕЛЬНО С 20 АПРЕЛЯ 2016 ГОДА		<u>DECLARATION UE DE CONFORMITE</u> <u>UE DECLARATION OF CONFORMITY</u> <u>EU- KONFORMITÄTSEKLRUNG</u> <u>DECLARACIÓN UE DE CONFORMIDAD</u> <u>DICHIARAZIONE DI CONFORMITÀ UE</u> <u>DECLARAÇÃO UE DE CONFORMIDADE</u> <u>EU-CONFORMITEITSVERKLARING</u> <u>EU-FÖRSÄKRAN OM ÖVERENSSTÄMMELSE</u> <u>EU- VAATIMUKSEN MUKAISUUSVAKUUTUS</u> <u>DEKLARACJA ZGODNOŚCI UE</u> <u>EU PROHLÁŠENÍ O SHODĚ</u> <u>ДЕКЛАРАЦИЯ О СООТВЕТСТВИИ НОРМАМ ЕС</u>
--	---	---

Le fabricant / The manufacturer / Der Hersteller / El fabricante / Il produttore / O fabricante / De fabrikant / Tillverkare / Valmistaja / Producent / Výrobce / Изготовитель:	KREMLIN REXSON 150, avenue de Stalingrad 93 240 - STAINS - FRANCE Tél. 33 (0)1 49 40 25 25 - Fax : 33 (0)1 48 26 07 16
--	--

Déclare que le matériel désigné ci-après / Herewith declares that the equipment / erklårt hiermit, dass die / Declara que el material designado a continuación / Dichiaro che il materiale sottoindicato / Declara que o material a seguir designado / verklaart dat de hieronder aangeduide apparatuur / Kungör att den utrustning som anges här nedan / ilmoittaa, että alla mainitut laitteistot / Oświadczka, że wymienione poniżej urządzenia / Prohlašuje, že níže uvedené vybavení / Декларирует, что нижеуказанное оборудование:

POMPES A MEMBRANES / DIAPHRAGM PUMPS / DOPPEL-MEMBRANPUMPEN / BOMBAS DE MEMBRANAS

PMP 150
PDM 01-175

Est conforme à la législation d'harmonisation de l'Union applicable suivante / Is in conformity with the relevant Union harmonisation legislation / Erfüllt die einschlägigen Harmonisierungsrechtsvorschriften der Union / es conforme con la legislación de armonización pertinente de la Unión / è conforme alla pertinente normativa di armonizzazione dell'Unione / in overeenstemming met de desbetreffende harmonisatiewetgeving van de Unie / med den relevanta harmoniserade unionslagstiftningen / on asiaa koskevan unionin yhdenmukaistamislainsäädännön vaatimusten mukainen / jest zgodny z odpowiednimi wymaganiami unijnego prawodawstwa harmonizacyjnego / Shoduje se s následující příslušnou evropskou harmonizační legislativou / Соответствует следующим стандартизированным нормам Союза

Directive ATEX / ATEX Directive / ATEX Richtlinie / Directiva ATEX / Direttiva ATEX / Diretiva ATEX / ATEX-Richtlijn / ATEX-direktivet / ATEX-direktivi / Dyrektywa ATEX / Směrnice ATEX / Директива ATEX 	2014/34/UE
Procédure d'évaluation de la conformité : Module A Documentation technique (Annexe VIII) archivée par : / Conformity assessment procedure: Module A Technical documentation (ANNEX VIII) recorded by: / Verfahren zur Konformitätsbewertung: Modul A Technische Unterlagen (ANLAGE VIII) archiviert durch: / Procedimiento de evaluación de la conformidad: Módulo A Documentación técnica (ANEXO VIII) archivada por: / Procedura di valutazione della conformità: Modulo A Documentazione tecnica (ALLEGATO VIII) archiviata a cura di: / Procedimento de avaliação da conformidade: Módulo A Documentação técnica (ANEXO VIII) arquivada por: / Conformance assessment procedure: Module A Technische documentatie (BIJLAGE VIII) gearchiveerd door: / Förfarande för bedömning av överensstämmelse: Modul A Teknisk dokumentation (BILAGA VIII) arkiverad av: / Vaatimustenmukaisuusarviointimenetelmä: moduuli A Tekninen dokumentaatio (LIITE VIII) arkistoitu: / Procedura oceny zgodności: Moduł A Dokumentacji technicznej (ZAŁĄCZNIK VIII) zarchiwizowane przez: / Postup posuzování shody: Modul A Technická dokumentace (PŘÍLOHA VIII) archivována: / Процедура оценки соответствия: Модуль A Техническая документация (ПРИЛОЖЕНИЕ VIII), архивированная: ISSeP Zoning A. Schweitzer Rue de la Platerie B - 7340 COLFONTAINE BELGIQUE	



Dominique LAGOUGE
 Directeur Général / Chief Executive Officer / Generaldirektor
 / Director General / Direttore Generale / Director Geral / Algemeen
 Directeur / Generaldirektör / Pääjohtaja / Dyrektor Naczelny
 / Dyrektor Generalny / Generální ředitel / Генеральный директор

Fait à Stains, le / Established in Stains, on / Geschehen zu Stains, am / En Stains, a / Redatto a Stains, / Vastgesteld te Stains, / Utformat i Stains, den / Stains, Ranska, / Sporządzono w Stains, dnia / Stains, dnia / Издано в г. Стен (Stains) 08/04/2016 - 04/08/2016



DIAPHRAGM PUMP

PMP 150

Disassembly / Reassembly

TRANSLATION OF THE ORIGINAL MANUAL

IMPORTANT : Before assembly and start-up, please read and clearly understand all the documents relating to this equipment (professional use only).

THE PICTURES AND DRAWINGS ARE NON CONTRACTUAL. WE RESERVE THE RIGHT TO MAKE CHANGES WITHOUT PRIOR NOTICE.

KREMLIN - REXSON

150, avenue de Stalingrad

93 245 - STAINS CEDEX – France

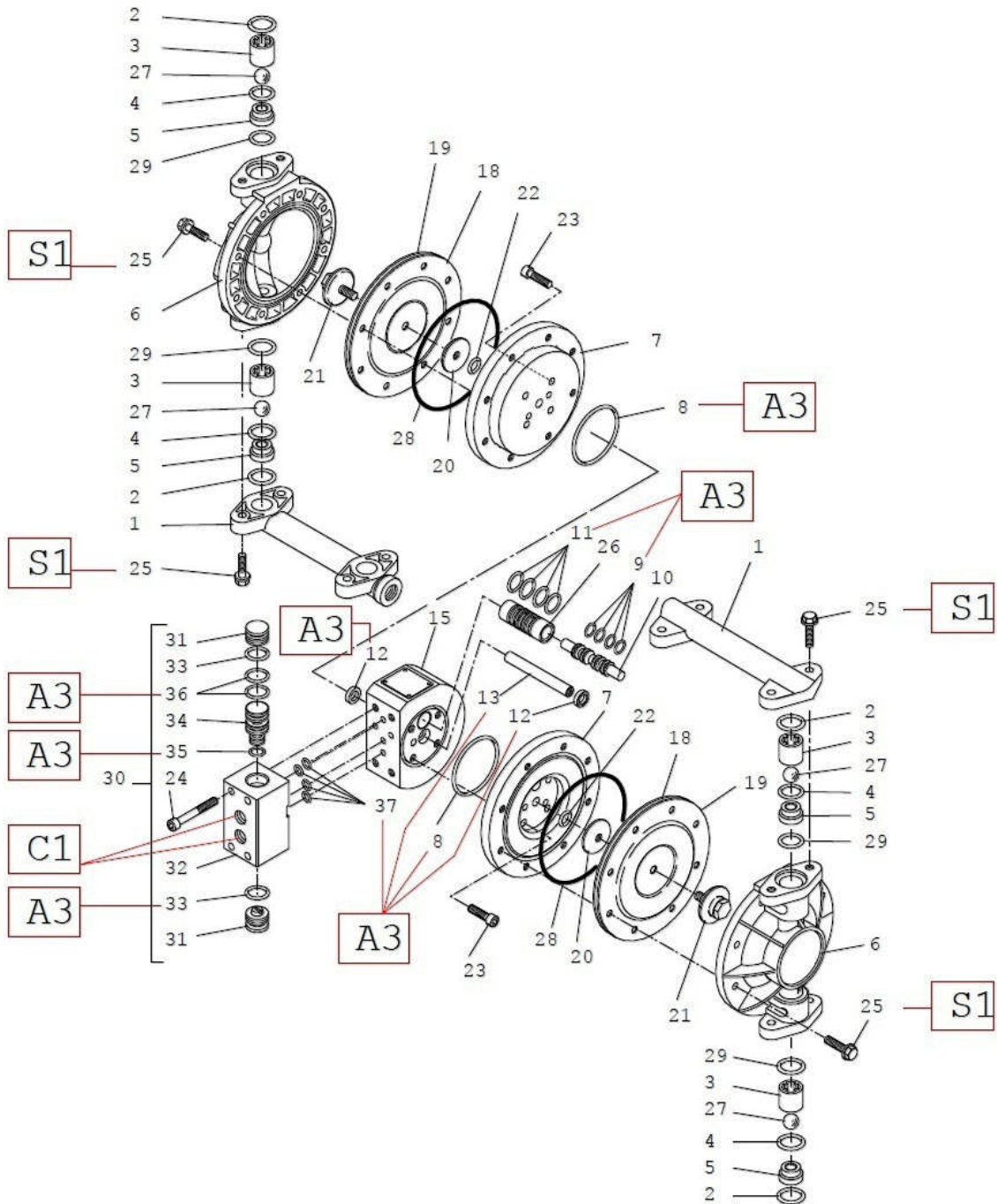
☎ : 33 (0)1 49 40 25 25 Fax : 33 (0)1 48 26 07 16

www.kremlin-rexson.com



CAUTION :

Before any action on the pump, shut off the compressed air supply and depressurize the system.



Index	Instructions
A 3	Pure vaseline
C 1	Medium strength Aneorobic Pipe sealant (Loctite 577)
S 1	Screwing torque : 7 to 10 Nm / 5.2 to 7.4 ft/lbs

The pump is manufactured under the ATEX agreement and can not be modified. KREMLIN REXSON will not be held responsible for any failure to comply with that instruction.

**Guards (air motor cover, coupling shields, housings...) have been designed for safe use of the equipment.
The manufacturer will not be held responsible for bodily injury or failure and / or damage to property due to removal or partial removal of the guards.**

▪ **SUCTION OR EXHAUST VALVE**

Unscrew the 4 screws (25) to disassemble the upper and lower plastic collector (1).
Remove ball cage (3), ball (27) and seat (5).
Before reinstalling parts, replace seals (2), (4) and (29) if necessary.

▪ **DIAPHRAGM**

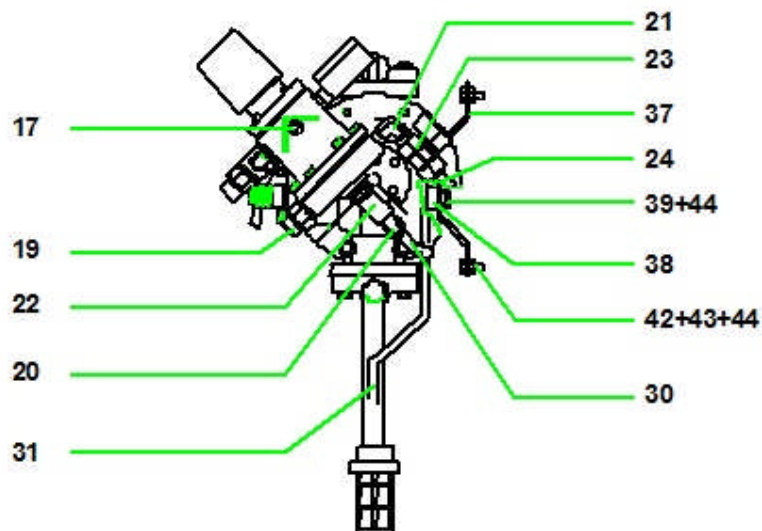
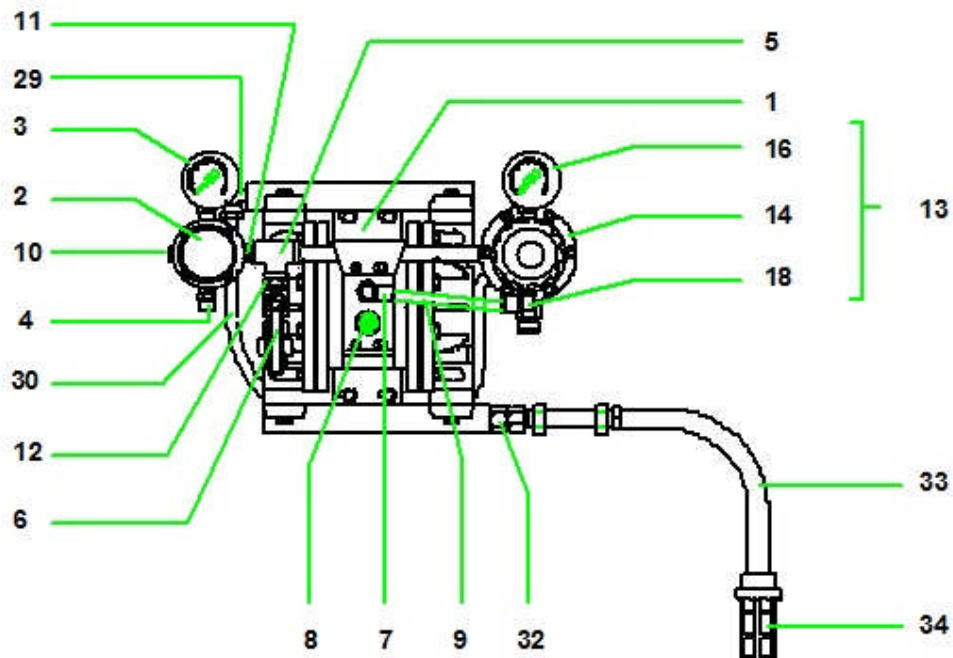
Remove collectors (1) by unscrewing screws (25).
Remove each fluid flange (6) by unscrewing screws (25).
Unscrew fluid screw-washer (21).
Remove fluid diaphragms (19) and air diaphragms (18).
Be certain seal (28) is installed and not damaged. If require change it.
Reinstall new diaphragms and also air-washer (20) on air diaphragms side.
Tighten diaphragms by screwing simultaneously both screw-washer (21).
Reinstall flanges (6) and screws (25) - torque 7 to 10 Nm / 5.2 to 7.4 ft /lbs.
Reinstall collectors (1).

▪ **DISTRIBUTOR**

Remove the 4 screws (24) to dissociate distributor (30) from motor body (15).
Remove plugs (31) by blowing compressed air (**maxi 1 bar / 14.503 PSI**) through distributor air supply hole (P engraved on the opening).
Remove air valve spool.
Clean or replace the seals if necessary. When remounting be certain seals (37) are installed.

Doc. 573.246.050 Date/Datum/Fecha : 17/09/13 Annule/Cancel/ Ersetzt/Anula : 11/06/10	Modif. / Änderung : # 151 890 060 → 151 753 000	Pièces de rechange Spare parts list Ersatzteilliste Piezas de repuesto
--	---	---

POMPE PMP 150 STANDARD MURALE	WALL MOUNTED PUMP, MODEL PMP 150 STANDARD
WANDPUMPE PMP 150 STANDARD	BOMBA PMP 150 ESTANDAR MURAL



POMPE PMP 150 STANDARD	PUMP, MODEL PMP 150 STANDARD	# 151.751.000
PUMPE PMP 150 STANDARD	BOMBA PMP 150 ESTANDAR	

Ind	#	Désignation	Description	Bezeichnung	Denominación	Qté
-	144 931 000	Pompe PMP 150 nue standard	Bare pump, model PMP 150 standard	Pumpe PMP 150, nackt Standard	Bomba sola, tipo PMP 150 standard	1
	-	Ensemble équipement d'air	Air supply assembly	Luftausrüstung, komplett	Conjunto equipo de aire	1
1	051 751 011	▪ Support	▪ Bracket, air supply	▪ Halterung	▪ Soporte	1
2	016 390 000	▪ Détendeur d'air 1/4 - 5,5 bar - volant gris	▪ Air regulator (grey), 1/4 - 5.5 bar / 80 psi	▪ Luftminderer 1/4 - 5,5 bar (graue Stellglocke)	▪ Manorreductor de aire 1/4 - 5,5 bar - pomo gris	1
3	910 011 402	▪ Manomètre 0 - 10 bar	▪ Gauge 0 - 10 bar / 0 - 145 psi	▪ Manometer 0 - 10 bar	▪ Manómetro, 0 - 10 bar	1
4	050 102 624	▪ Raccord M 1/4 BSP - M 1/4 NPS	▪ Fitting, double male, 1/4 BSP - 1/4 NPS	▪ Doppelnippel AG 1/4 BSP - 1/4 NPS	▪ Racor M 1/4 BSP - M 1/4 NPS	1
5	904 303 002	▪ Té FFF 1/4	▪ Tee, FFF 1/4	▪ T-Stück IG/IG/IG 1/4"	▪ Te HHH 1/4	1
6	903 090 206	▪ Robinet FF 3/8	▪ Valve, FF 3/8	▪ Entleerungshahn IG/IG 3/8"	▪ Grifo HH 3/8	1
7	905 121 008	▪ Raccord coudé M 3/8 BSP - T 6 x 8	▪ Elbow connector, M 3/8 BSP - T 6 x 8	▪ Winkelnippel AG 3/8 BSP - T 6 x 8	▪ Racor acodado M 3/8 BSP - T 6 x 8	1
8	903 210 202	▪ Silencieux	▪ Muffler	▪ Schalldämpfer	▪ Silenciador	1
9	539 280 102	▪ Tuyau Ø 6 x 8 (longueur : 150 mm)	▪ Hose Ø 6 x 8 (length : 150 mm / 6 ")	▪ Schlauch Ø 6 x 8 (Länge : 150 mm)	▪ Tubería Ø 6 x 8 (longitud : 150 mm)	1
10	906 333 102	▪ Bouchon 1/4	▪ Plug 1/4	▪ Blindstopfen 1/4	▪ Tapón, 1/4	1
11	050 102 213	▪ Raccord MM 1/4 BSP	▪ Fitting, double male, 1/4 BSP	▪ Doppelnippel AG 1/4 BSP	▪ Racor MM 1/4 BSP	1
12	904 523 003	▪ Raccord M 1/4 BSP - M 3/8 BSP	▪ Fitting, double male, 1/4 BSP - 3/8 BSP	▪ Doppelnippel AG 1/4 BSP - 3/8 BSP	▪ Racor, M 1/4 BSP - M 3/8 BSP	1

13	-	Ensemble régulateur de produit	Fluid regulator assembly	Materialdruckregler, komplett	Conjunto regulador de producto	1
14	155 610 060	▪ Régulateur avec pilote (voir doc. 573.025.110)	▪ Fluid regulator with pilot (refer to doc. 573.025.110)	▪ Materialdruckregler mit Steuerung (siehe Dok. 573.025.110)	▪ Regulador con piloto (consultar doc. 573.025.110)	1
16	910 011 404	▪ Manomètre 0 - 4 bar	▪ Gauge 0 - 4bar / 0 - 58 psi	▪ Manometer 0 - 4 bar	▪ Manómetro, 0 - 4 bar	1
17	906 333 102	▪ Bouchon 1/4	▪ Plug 1/4	▪ Blindstopfen 1/4	▪ Tapón 1/4	1
18	905 120 912	▪ Raccord coudé M 1/4 BSP - T 6 x 8	▪ Elbow connector M 1/4 BSP - T 6 x 8	▪ Winkelnippel AG 1/4 BSP - T 6 x 8	▪ Racor acodado M 1/4 BSP - T 6 x 8	1
19	050 102 646	▪ Raccord inox M 1/4 BSP - M 3/8 NPS (sortie produit)	▪ Fitting, stainless steel, double male, 1/4 BSP - 3/8 NPS (fluid outlet)	▪ Doppelnippel Edelstahl AG 1/4 BSP - 3/8 NPS (Materialausgang)	▪ Racor inox M 1/4 BSP - M 3/8 NPS (salida producto)	1
20	905 190 414	▪ Raccord coudé M 1/4 BSP - T 8 x 10	▪ Elbow connector, M 1/4 BSP - T 8 x 10	▪ Winkelnippel AG 1/4 BSP - T 8 x 10	▪ Racor acodado M 1/4 BSP - T 8 x 10	1
21	905 190 502	▪ Coude MM 1/4	▪ Elbow, double male, 1/4	▪ Winkelnippel AG/AG 1/4	▪ Codo MM 1/4	1
22	050 470 301	▪ Manchon inox 1/4	▪ Nipple, stainless steel, 1/4	▪ Muffe Edelstahl 1/4	▪ Manguito inox 1/4	1
23	903 090 806	▪ Vanne FF 1/4	▪ Valve, FF 1/4	▪ Ventil IG/IG 1/4	▪ Válvula HH 1/4	1
24	905 190 401	▪ Coude M 1/4 BSP - T 6 x 8	▪ Elbow, M 1/4 BSP - T 6 x 8	▪ Winkelnippel AG 1/4 BSP - T 6 x 8	▪ Codo M 1/4 BSP - T 6 x 8	1

POMPE PMP 150 STANDARD (suite)	PUMP, MODEL PMP 150 STANDARD (follow up)	#
PUMPE PMP 150 STANDARD (Forsetzung)	BOMBA PMP 150 ESTANDAR (a continuación)	151.751.000

Ind	#	Désignation	Description	Bezeichnung	Denominación	Qté
29	905 190 415	Raccord coudé M 3/8 BSP - T 8 x 10	Elbow connector, M 3/8 BSP - T 8 x 10	Winkelnippel AG 3/8 BSP - T 8 x 10	Racor acodado M 3/8 BSP -T 8 x 10	1
30	539 090 103	Tuyau noir Ø 8 x 10 (longueur : 460 mm)	Hose (black) Ø 8 x 10 (length : 460 mm / 18.11")	Schwarzer Schlauch Ø 8 x 10 (Länge : 460 mm)	Tubería (negra) Ø 8 x 10 (longitud : 460 mm)	1
31	050 371 301	Tuyau Ø 6x8 (longueur : 1,850 m)	Hose Ø 6x8 (length : 1,850 m / 73")	Schlauch Ø 6x8 (Länge 1,850 m)	Tubería Ø 6x8 (longitud : 1,850 m)	1
32	050 102 436	Raccord inox M 3/8 BSP - M 18 x 125	Fitting, stainless steel, double male, 3/8 BSP - 18 x 125	Doppelnippel Edelstahl AG 3/8 BSP - M 18 x 1,25	Racor inox M 3/8 BSP - M 18 x 125	1
33	049 596 010	Canne d'aspiration inox avec crépine	Suction rod (stainless steel) with strainer	Saugschlauch (Edelstahl) mit Siebkorb	Caña de aspiración (inox) con piña	1
*34	051 531 600	▪ Crépine Ø 17	▪ Strainer Ø 17	▪ Siebkorb Ø 17	▪ Piña Ø 17	1
-	151 539 903	▪ Eléments filtrants (les 4)	▪ Filtering elements (pack of 4)	▪ Filterelemente (4 Stück)	▪ Elementos filtrantes (bolsa de 4)	1

-	051 751 030	Support mural équipé	Bracket assembly	Wandanlage, komplett	Soporte mural equipado	1
37	051 751 031	▪ Support mural	▪ Wall mounting bracket	▪ Wandhalterung	▪ Soporte mural	1
38	051 751 033	▪ Entretoise	▪ Spacer	▪ Distanzscheibe	▪ Arandela de espesor	2
39	933 011 332	▪ Vis HM 6 x 25	▪ Screw, HM 6 x 25	▪ Schraube HM 6 x 25	▪ Tornillo, HM 6 x 25	2
-	144 910 129	▪ Pochette visserie	▪ Package of screws, nuts and washers	▪ Satz Schrauben mit Muttern und Scheiben	▪ Bolsa de tornillos, de tuercas y de arandelas	1
42	NC / NS	▪ ▪ Vis HM 6 x 15	▪ ▪ Screw, HM 6 x 15	▪ ▪ Schraube HM 6 x 15	▪ ▪ Tornillo, HM 6 x 15	4
43	NC / NS	▪ ▪ Ecrou HM 6	▪ ▪ Nut, HM 6	▪ ▪ Mutter HM 6	▪ ▪ Tuerca, HM 6	4
44	NC / NS	▪ ▪ Rondelle MN 6	▪ ▪ Washer, MN 6	▪ ▪ Scheibe MN 6	▪ ▪ Arandela, MN 6	6

* Pièces de maintenance préconisées.

* Preceding the index number denotes a suggested spare part.

* Bezeichnete Teile sind empfohlene Ersatzteile.

* Piezas de mantenimiento preventivas.

N C : Non commercialisé.

N S : Denotes parts are not serviceable separately.

N S : bezeichnete Teile gibt es nicht einzeln, sondern nur
komplett.

N S : no suministrado.

POMPE PMP 150 standard sur chariot	WALL MOUNTED PUMP, model PMP 150 standard	#
PUMPE PMP 150 standard auf Fahrgestell	BOMBA PMP 150 estandar sobre carretilla	151.752.000

Ind	#	Désignation	Description	Bezeichnung	Denominación	Qté
-	151 751 000	Pompe murale	Wall mounted pump	Wandpumpe	Bomba mural	1
-	051 730 110	Chariot (1 bras) (voir doc. 573.064.110)	Cart (1 arm) (refer to doc. 573.064.110)	Fahrgestell (1 Arm) (siehe Dok. 573.064.110)	Carretilla (1 brazo) (consultar doc. 573.064.110)	1

POMPE PMP 150 avec kit détendeur air moteur	PUMP, MODEL PMP 150 with motor air regulator kit	#
PUMPE PMP 150 mit Luftmotor Druckminderer-Kit	BOMBA, TIPO PMP 150 con kit manorreductor aire motor	151.753.000

Ind	#	Désignation	Description	Bezeichnung	Denominación	Qté
-	151 751 000	Pompe murale avec canne d'aspiration	Wall mounted pump with suction rod	Wandanlage mit Saugschlauch	Bomba mural con caña de aspiración	1
-	151 753.010	Kit détendeur air moteur (voir Doc. 573.030.050)	Motor air regulator kit (refer to Doc. 573.030.050)	Luftmotor-Druckminderer Kit (siehe Dok. 573.030.050)	Kit manorreductor aire motor (consultar Doc. 573.030.050)	1

POMPE PMP 150 avec kit détendeur air moteur sur chariot	CART MOUNTED PUMP, model PMP 150 with motor air regulator kit	#
PUMPE PMP 150 mit Luftmotor-druckminderer-Kit auf Fahrgestell	BOMBA PMP 150 con kit manorreductor aire motor sobre carretilla	151.754.000

Ind	#	Désignation	Description	Bezeichnung	Denominación	Qté
-	151 753 000	Pompe murale avec kit détendeur air moteur	Wall mounted pump with motor air regulator kit	Wandanlage mit Luftmotor Druckminderer-Kit	Bomba mural con kit manorreductor aire motor	1
-	051 730 110	Chariot (1 bras) (voir doc. 573.064.110)	Cart (1 arm)(refer to doc. 573.064.110)	Fahrgestell (1 Arm) (siehe Dok. 573.064.110)	Carretilla (1 brazo) (consultar doc. 573.064.110)	1

POMPE PMP 3R (équipée avec détendeur air moteur, sans canne)	PUMP, MODEL PMP 3R (fitted with a motor air regulator, without rod)	#
PUMPE PMP 3R (mit Luftmotor-druckminderer, ohne Saugschlauch)	BOMBA PMP 3R (equipada con manorreductor aire motor, sin caña)	151.759.900

Ind	#	Désignation	Description	Bezeichnung	Denominación	Qté
-	-	Pompe murale sans canne d'aspiration	Wall mounted pump without suction rod	Wandanlage ohne Saugschlauch	Bomba mural sin caña de aspiración	1
-	151 753 010	Kit détendeur air moteur (voir Doc. 573.030.050)	Motor air regulator kit (refer to Doc. 573.030.050)	Luftmotor Druckminderer-Kit (siehe Dok. 573.030.050)	Kit manorreductor aire motor (consultar Doc. 573.030.050)	1

Nota : Pour les références commençant par 5, préciser la longueur à la commande.

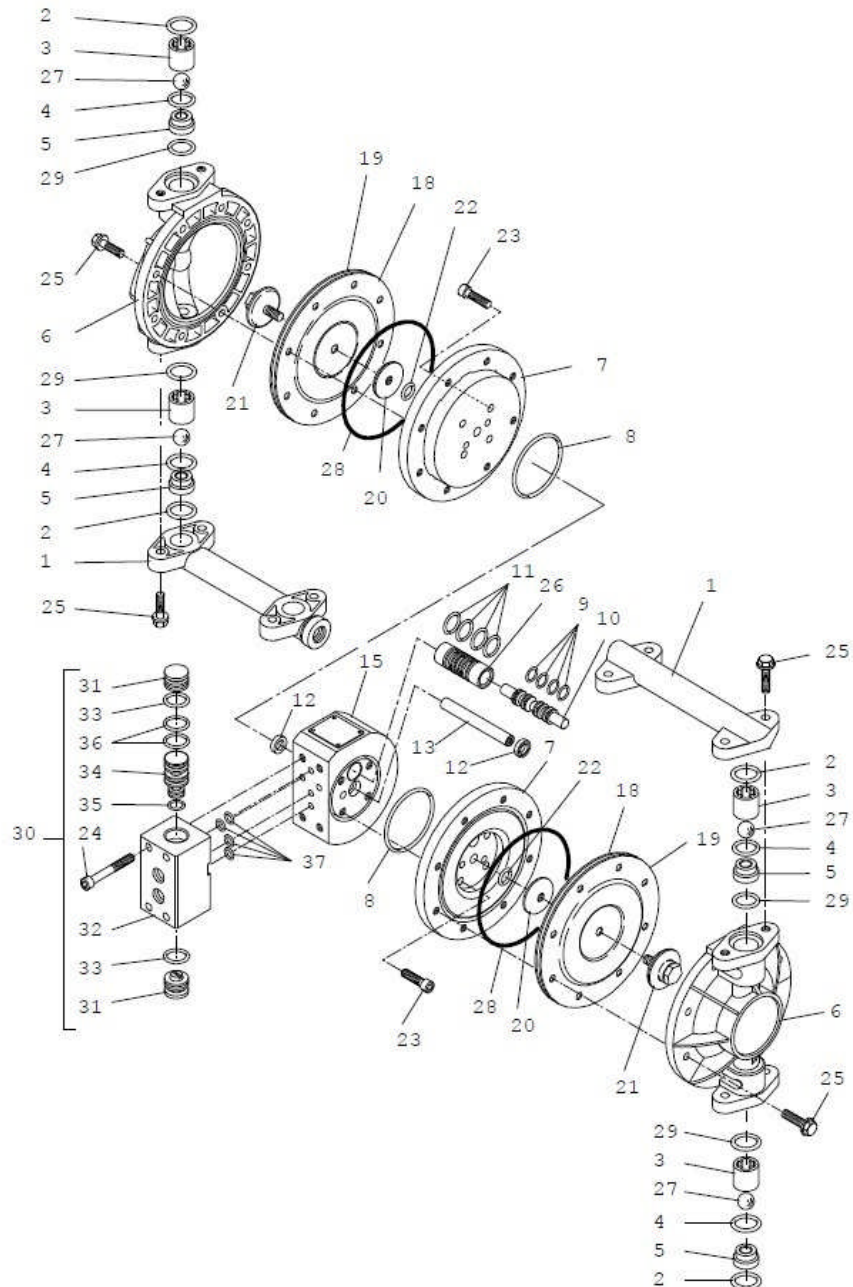
Nota : When ordering a spare part whose the first digit is 5, specify the required length.

Hinweis : Bei Artikel-Nummern, die mit einer 5 beginnen, muss die Länge angegeben werden.

Nota : Cuando encarga Vd. una pieza de repuesto que empieza por un 5, precise Vd. la longitud necesaria.

Doc. 573.249.050 Date/Datum/Fecha : 18/09/13 Annule/Cancel/ Ersetzt/Anula : 03/03/08	Modif. / Änderung : Mise à jour / Update / Aktualisierung / Actualización	Pièces de rechange Spare parts list Ersatzteilliste Piezas de repuesto
--	--	---

POMPE A MEMBRANES NUE, modèle PMP 150 STANDARD	BARE DIAPHRAGM PUMP, model PMP 150 STANDARD
MEMBRANPUMPE NACKT, Modell PMP 150 STANDARD	BOMBA DE MEMBRANAS SOLA, tipo PMP 150 STANDARD



POMPE A MEMBRANES NUE, modèle PMP 150 STANDARD	BARE DIAPHRAGM PUMP, model PMP 150 STANDARD	#
MEMBRANPUMPE NACKT, Modell PMP 150 STANDARD	BOMBA DE MEMBRANAS SOLA, tipo PMP 150 STANDARD	144.931.000

Ind	#	Désignation	Description	Bezeichnung	Denominación	Qté
1	044 931 002	Collecteur	Collector	Verbindungsflansch	Colector	2
2	150 040 315	Joint (les 10)	Seal (pack of 10)	Dichtring (10 St.)	Junta (x 10)	4
*3	144 931 093	Cage de bille plastique (les 4)	Ball cage, plastic (pack of 4)	Kugelkäfig, Kunststoff (4 St.)	Jaula de bola de plástica (bolsa de 4)	4
4	150 040 316	Joint (les 10)	Seal (pack of 10)	Dichtring (10 St.)	Junta (bolsa de 10)	4
5	044 931 004	Siège inox	Seat, stainless steel	Sitz, Edelstahl	Asiento inox	4
6	044 931 005	Flasque produit	Flange, fluid	Materialflansch	Tapa producto	2
7	044 931 001	Flasque moteur	Flange, air motor	Luftmotorflansch	Tapa motor	2
8	109 420 282	Joint O Ring (les 10)	O Ring (pack of 10)	O-Ring (10 St.)	O Ring (bolsa de 10)	2
9	109 130 410	Bague R 8 (les 10)	Ring, R 8 (pack of 10)	Dichtring R 8 (10 St.)	Anillo R 8 (bolsa de 10)	4
10	044 930 003	Tiroir de pilotage	Pilot-spool	Steuerstange	Cajón de pilotaje	1
11	109 420 283	Joint O Ring (les 10)	O Ring (pack of 10)	O-Ring (10 St.)	Junta O Ring (bolsa de 10)	4
12	109 060 301	Joint (les 10)	Seal (pack of 10)	O-Ring (10 St.)	Junta (bolsa de 10)	2
13	044 930 004	Axe de liaison	Coupling axis	Verbindungsachse	Eje de unión	1
15	144 930 001	Corps moteur	Body, air motor	Motorkörper	Cuerpo del motor	1
*17	144 931 090	Kit membranes	Diaphragm kit	Membrankit	Kit membranas	1
18	NC / NS	▪ Membrane air	▪ Diaphragm (air)	▪ Luftmembran	▪ Membrana aire	2
19	NS / NS	▪ Membrane produit PTFE	▪ Diaphragm (fluid), PTFE	▪ Materialmembran PTFE	▪ Membrana producto, PTFE	2
28	109 420 272	▪ Joint (les 10)	▪ Seal (pack of 10)	▪ O-Ring (10 ST.)	▪ Junta (bolsa de 10)	2
20	044 930 007	Rondelle air	Washer, air	Scheibe	Arandela aire	2
21	044 931 008	Vis-rondelle produit	Screw-washer, fluid	Membranschraube Material	Tornillo-arandela producto	2
22	909 130 411	Bague R 9	Ring, R 9	O-Ring R 9	Anillo R 9	2
23	933 151 277	Vis CHc M 6 x 20	Screw, CHc M 6 x 20	Schraube CHc M 6 x 20	Tornillo CHc M 6 x 20	8
24	930 151 598	Vis CHc M 6 x 60	Screw, CHc M 6 x 60	Schraube CHc M 6 x 60	Tornillo CHc M 6 x 60	4
25	933 231 332	Vis M 6 x 25	Screw, M 6 x 25	Schraube M 6 x 25	Tornillo M 6 x 25	24
26	044 930 005	Chemise de pilotage	Sleeve, pilot-spool	Steuerstangenführung	Camisa de pilotaje	1
*27	144 849 901	Bille Ø 16 inox 440C (les 4)	Ball Ø 16, stainless steel 440C (pack of 4)	Kugel Ø 16 Edelstahl 440C (4 St.)	Bola Ø 16 inox 440C (bolsa de 4)	4
29	129 629 914	Joint (les 10)	Seal (pack of 10)	O-Ring (10 St.)	Junta (x 10)	4

Ind	#	Désignation	Description	Bezeichnung	Denominación	Qté
*30	144 930 010	Distributeur d'air	Air distributor	Umsteuerblock	Distribuidor de aire	1
31	044 930 013	▪ Bouchon	▪ Plug	▪ Stopfen	▪ Tapón	2
32	044 930 011	▪ Corps de distributeur	▪ Body, distributor	▪ Umsteuerblock Körper	▪ Cuerpo del distribuidor	1
33	129 400 902	▪ Joint O Ring (les 10)	▪ O Ring (pack of 10)	▪ O-Ring (10 St.)	▪ Junta O Ring (bolsa de 10)	2
34	044 930 012	▪ Tiroir de puissance	▪ Air valve, spool	▪ Umsteuerventil	▪ Cajón de potencia	1
35	109 130 410	▪ Bague R 8 (les 10)	▪ Ring, R 8 (pack of 10)	▪ O-Ring R 8 (10 St.)	▪ Anillo R 8 (bolsa de 10)	1
36	144 519 915	▪ Bague R 12 (les 10)	▪ Ring, R 12 (pack of 10)	▪ O-Ring R 12 (10 St.)	▪ Anillo R 12 (bolsa de 10)	2
37	144 579 910	▪ Bague R 6a (les 10)	▪ Ring, R 6a (pack of 10)	▪ O-Ring R 6a (10 St.)	▪ Anillo R 6a (bolsa de 10)	4
-	901 180 024	Câble de mise à la terre (longueur : 5m) avec rondelle et vis	Ground with washer and screw (length : 5 m / 16.4 ft)	Erdungskabel (Länge : 5m) mit Scheibe und Schraube	Cable de toma a tierra (longitud : 5 m) con arandela y tornillo	1

POMPE PMP 150 E (pour produits à base d'email)	PUMP, MODEL PMP 150 E (for enamel based products)	# 144.932.000
PUMPE PMP 150 E (für Produkte auf Email-Basis)	BOMBA, tipo PMP 150 E (para productos a base de esmalte)	

Ind	#	Désignation	Description	Bezeichnung	Denominación	Qté
		Pièces spécifiques à la pompe PMP 150 E	Specific parts for pump, model PMP 150 E	Spezifische Teile der Pumpe PMP 150 E	Partes específicas para bomba tipo PMP 150 E	
5	044 932 004	Siège polyuréthane	Seat, polyurethane	Sitz aus Polyuräthan	Asiento poliuretano	4
*17	144 932 090	Kit membranes (2 membranes produit + ind. 19 en polyuréthane)	Diaphragm kit (2 fluid diaphragms + ind. 19 - polyurethane)	Membrankit (2 Materialmembrane + Pos. 19 aus Polyuräthan)	Kit membranas (2 membranas producto + ind. 19 de poliuretano)	1
27	144 849 910	Bille Ø 16 en polyuréthane (les 4)	Ball Ø 16 polyurethane (pack of 4)	Kugel Ø 16 aus Polyuräthan (4 St.)	Bola Ø 16 de poliuretano (bolsa de 4)	4

PMP 150 STANDARD - PMP 150 E

Ind	#	Désignation	Description	Bezeichnung	Denominación	Qté
*	144 931 091	Pochette de joints moteur + joints distributeur d'air (ind. 8(x2), 9(x4), 11(x4), 12(x2), 22(x2), 28(x2), 33(x2), 35, 36(x2), 37(x4))	Package of seals of the air motor + seals of the air distributor (ind. 8(x2), 9(x4), 11(x4), 12(x2), 22(x2), 28(x2), 33(x2), 35, 36(x2), 37(x4))	Dichtungssatz Luftmotor + Umsteuerblock (Pos. 8(2x), 9(4x), 11(4x), 12(2x), 22(2x), 28(2x), 33(2x), 35, 36(2x), 37(4x))	Bolsa de juntas del motor + juntas del distribuidor de aire (ind. 8(x2), 9(x4), 11(x4), 12(x2), 22(x2), 28(x2), 33(x2), 35, 36(x2), 37(x4))	1
*	144 931 092	Pochette de joints produit en PTFE (ind. 2(x4), 4(x4), 29(x4))	Package of seals, fluid (PTFE seals) (ind. 2(x4), 4(x4), 29(x4))	Dichtungssatz Material aus PTFE (Pos. 2(4x), 4(4x), 29(4x))	Bolsa de juntas producto PTFE (ind. 2(x4), 4(x4), 29(x4))	1
*	144 931 094	Pochette de joints distributeur d'air (ind. 33(x2), 35, 36(x2), 37(x4))	Package of seals of the air distributor (ind. 33(x2), 35, 36(x2), 37(x4))	Dichtungssatz Umsteuerblock (Pos. 33(2x), 35, 36(2x), 37(4x))	Bolsa de juntas del distribuidor de aire (ind. 33(x2), 35, 36(x2), 37(x4))	1

* Pièces de maintenance préconisées.

* Preceding the index number denotes a suggested spare part.

* Bezeichnete Teile sind empfohlene Ersatzteile.

* Piezas de mantenimiento preventivas.

N C : Non commercialisé.

N S : Denotes parts are not serviceable separately.

N S : bezeichnete Teile gibt es nicht einzeln, sondern nur komplett .

N S : no suministrado.

EN OPTION - OPTIONAL - OPTIONAL - OPCIÓN

Ind	#	Désignation	Description	Bezeichnung	Denominación	Qté
27	907 414 142	Bille Ø 16 (inox 316L)	Ball Ø 16 (stainless steel, 316L)	Kugel, Ø 16 (Edelstahl 316L)	Bola Ø 16, (inox 316L)	1
*	144 931 095	Pochette de joints produit en EPDM (ind. 2(x4), 4(x4), 29(x4))	Package of seals, fluid (EPDM seals) (ind. 2(x4), 4(x4), 29(x4))	Dichtungssatz Material aus EPDM (Pos. 2(4x), 4(4x), 29(4x))	Bolsa de juntas producto EPDM (ind. 2(x4), 4(x4), 29(x4))	1
*	144 931 096	Pochette de joints produit en VITON (ind. 2(x4), 4(x4), 29(x4))	Package of seals, fluid (VITON seals) (ind. 2(x4), 4(x4), 29(x4))	Dichtungssatz Material aus VITON (Pos. 2(4x), 4(4x), 29(4x))	Bolsa de juntas producto VITON (ind. 2(x4), 4(x4), 29(x4))	1

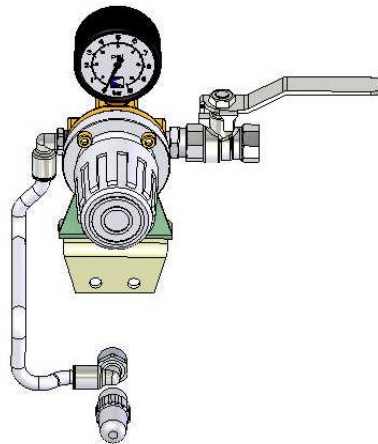
Alimentation d'air

Air supply

Luftausrüstung

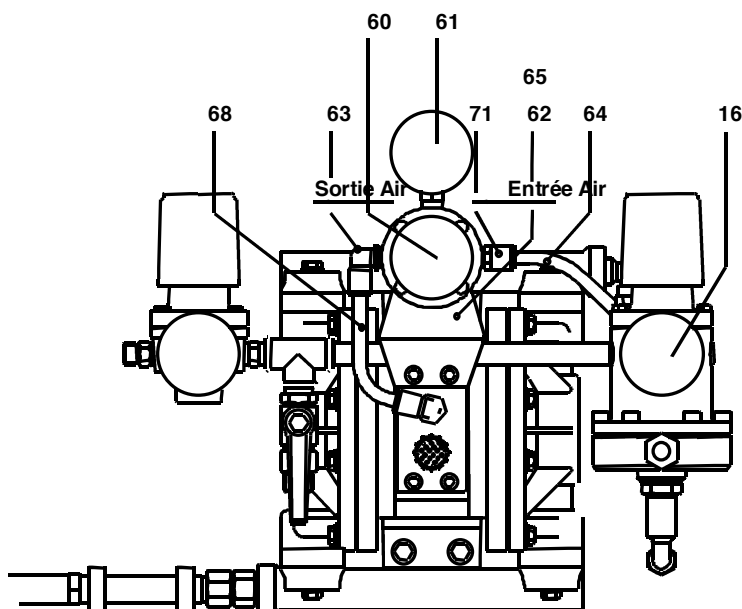
Equipo de aire

151.753.050



Doc. 573.030.050 Date/Datum/Fecha : 18/09/13 Annule/Cancel/ Ersetzt/Anula : 15/01/04	Modif. / Änderung : Mise à jour / Update / Aktualisierung / Actualización	Pièces de rechange Spare parts list Ersatzteilliste Piezas de repuesto
--	--	---

KIT DETENDEUR AIR MOTEUR	MOTOR AIR REGULATOR KIT	#
LUFTMOTOR-DRUCKREGLER-KIT	KIT MANORREDUCTOR AIRE MOTOR	151.753.010



<p>■ Montage du kit détenteur air moteur : Fixer l'ensemble détenteur d'air et son support sur le corps de pompe PMP. Supprimer le tuyau (9) existant sur la pompe. Monter les tuyaux (68) et (64) en lieu et place.</p> <p>■ Réglages : Pour un bon fonctionnement de la pompe, la pression lue sur le manomètre (61) doit être supérieure à celle lue sur le manomètre (16) du régulateur de produit.</p>	<p>■ Installation Fasten air motor regulator with its bracket onto PMP pump body. Remove the previous hose (9) and replace it by hoses (68) and (64).</p> <p>■ Adjustment To ensure a proper pump working, the air pressure read on gauge (61) must exceed the fluid pressure indicated by the fluid regulator gauge (16).</p>
<p>■ Montage des Luftmotor-Druckregler-Kits: Die Einheit Luftmotor-Druckregler und dessen Halterung auf den Körper der Pumpe PMP befestigen. Den an der Pumpe existierenden Schlauch (9) entfernen. An dessen Stelle Schläuche (68) und (64) montieren.</p> <p>■ Einstellungen: Damit die Pumpe gut funktioniert, muss der am Manometer (61) ersichtliche Druck höher sein als jener am Manometer (16) des Materialreglers.</p>	<p>■ Montaje del kit manorreductor aire motor : Fijar el conjunto manorreductor de aire con su soporte sobre el cuerpo de la bomba PMP. Sacar la tubería (9) e instalar en su lugar y sitio las tuberías (68) y (64).</p> <p>■ Reglajes : Para que la bomba funcione correctamente, la presión indicada en el manómetro (61) debe ser superior a la presión indicada en el manómetro (16) del regulador de producto.</p>

KIT DETENDEUR AIR MOTEUR	MOTOR AIR REGULATOR KIT	# 151.753.010
LUFTMOTOR-DRUCKREGLER-KIT	KIT MANORREDUCTOR AIRE MOTOR	

Ind	#	Désignation	Description	Bezeichnung	Denominación	Qté
60	016 370 000	Détendeur d'air 1/4 - 5,5 bar (volant rouge)	Air regulator , 1/4 - 5.5 bar / 80 psi (red knob)	Druckminderer 1/4 - 5,5 bar (rote Stellglocke)	Manorreductor de aire 1/4 - 5,5 bar (pomo rojo)	1
61	910 011 402	Manomètre 0 - 10 bar	Gauge 0 - 10 bar / 0 - 145 psi	Manometer 0 - 10 bar	Manómetro, 0 - 10 bar	1
62	016 180 010	Support détendeur	Bracket, air regulator	Druckmindererhalterung	Soporte del manorreductor	1
63	905 120 912	Raccord coudé M 1/4 BSP - T 6 x 8	Elbow fitting, M 1/4 BSP - T 6 x 8	Winkelnippel AG 1/4 BSP - T 6 x 8	Racor acodado M 1/4 BSP - T 6 x 8	2
64	539 280 102	Tuyau Ø 6 x 8 longueur : 120 mm	Hose Ø 6 x 8 length : 120 mm / 5 "	Schlauch Ø 6 x 8 Länge 120 mm	Tubería Ø 6 x 8 longitud : 120 mm	1
65	933 011 122	Vis H 6 x 8	Screw, H 6 x 8	Schraube H 6 x 8	Tornillo H 6 x 8	2
68	539 280 102	Tuyau Ø 6 x 8 longueur : 190 mm	Hose Ø 6 x 8 length 190 mm / 7 "	Schlauch Ø 6 x 8 Länge : 190 mm	Tubería Ø 6 x 8 longitud : 190 mm	1
71	905 120 904	Raccord droit M 1/4 BSP - T 6 x 8	Straight fitting M 1/4 BSP - T 6 x 8	Doppelnippel AG 1/4 BSP - T 6 x 8	Racor recto M 1/4 BSP - T 6 x 8	1

Nota : Pour les références commençant par 5, préciser la longueur à la commande.

Nota : When ordering a spare part whose the first digit is 5, specify the required length.

Hinweis : Bei Artikel-Nummern, die mit einer 5 beginnen, muss die Länge angegeben werden.

Nota : Cuando encarga Vd. una pieza de repuesto que empieza por un 5, precise Vd. la longitud necesaria.

N C : Non commercialisé.

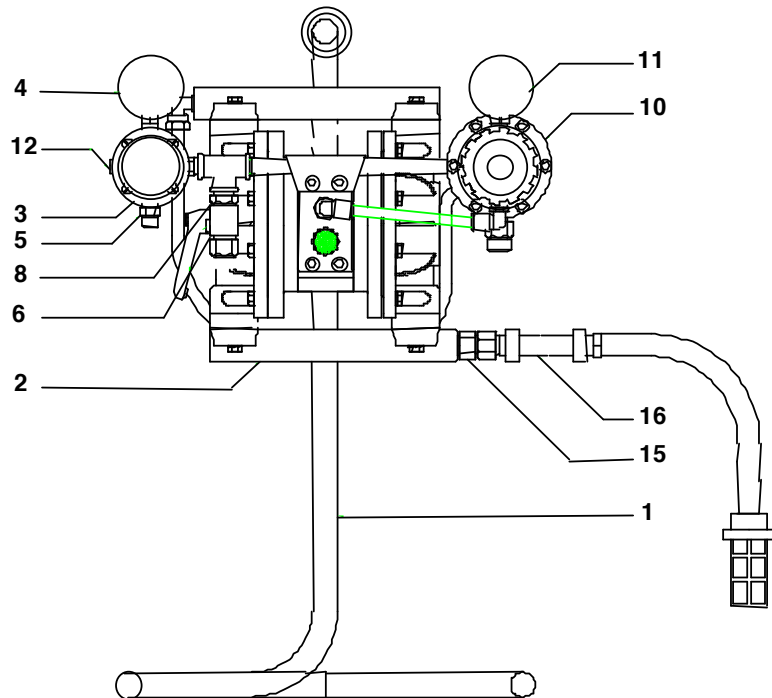
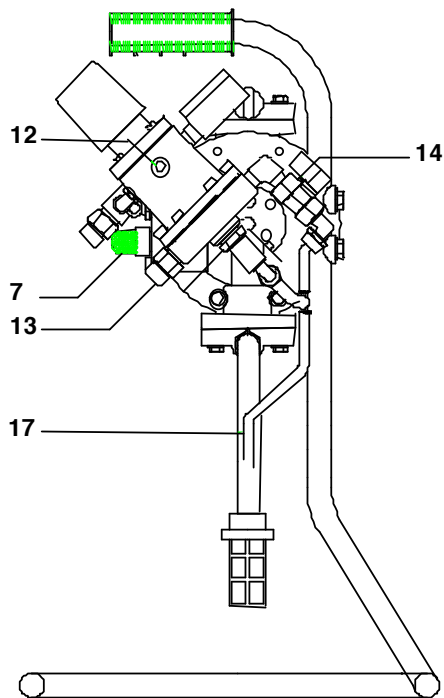
N S : Denotes parts are not serviceable separately.

N S : bezeichnete Teile gibt es nicht einzeln, sondern nur komplett.

N S : no suministrado.

Doc. 573.248.050 Date/Datum/Fecha : 18/09/13 Annule/Cancel/ Ersetzt/Anula : 09/04/03	Modif. / Änderung : Mise à jour / Update / Aktualisierung / Actualización	Pièces de rechange Spare parts list Ersatzteilliste Piezas de repuesto
--	--	---

POMPE PMP 150 PRATIK	PUMP, MODEL PMP 150 PRATIK
PUMPE PMP 150 PRAKTIK	BOMBA PMP 150 PRATIK



POMPE PMP 150 PRATIK	PUMP, MODEL PMP 150 PRATIK	# 151.758.000
PUMPE PMP 150 PRAKTIK	BOMBA PMP 150 PRATIK	

Ind	#	Désignation	Description	Bezeichnung	Denominación	Qté
1	051 755 010	Support de pompe	Bracket, pump	Pumpenständer	Soporte de bomba	1
2	144 931 000	Pompe PMP 150 nue standard	Bare pump, model PMP 150 standard	Pumpe PMP 150 nackt Standard	Bomba PMP 150 sola standard	1
3	016 390 000	Détendeur d'air 1/4 - 5,5 bar - volant gris	Air regulator 1/4 - 5.5 bar / 80 psi grey knob	Luftdruckregler 1/4" - 5,5 bar graue Stelglocke	Manoreductor de aire 1/4 - 5,5 bar - pomo gris	1
4	910 011 402	Manomètre 0 - 10 bar	Gauge 0 - 10 bar / 0 - 145 psi	Manometer 0 - 10 bar	Manómetro, 0 - 10 bar	1
5	050 102 624	Raccord M 1/4 BSP - M 1/4 NPS (air de pulvérisation)	Fitting, double male, 1/4 BSP - 1/4 NPS (air outlet)	Doppelnippel AG 1/4 BSP - 1/4 NPS (Zerstäuberluft)	Racor M 1/4 BSP - M 1/4 NPS (aire de pulverización)	1
6	903 090 206	Robinet FF 3/8	Drain-valve, FF 3/8	Absperrhahn IG/IG 3/8	Grifo HH 3/8	1
7	903 210 202	Silencieux	Muffler	Schalldämpfer	Silenciador	1
8	904 523 003	Raccord M 1/4 BSP - M 3/8 BSP	Fitting, double male, 1/4 BSP - 3/8 BSP	Doppelnippel AG 1/4 BSP - 3/8 BSP	Racor M 1/4 BSP - M 3/8 BSP	1
10	155 610 060	Régulateur avec pilote (voir doc. 573.025.110)	Fluid regulator with integrated pilot (refer to Doc. 573.025.110)	Materialdruckregler mit Luftsteuerung (siehe Dok. 573.025.110)	Regulador de producto pilotado (consultar doc. 573.025.110)	1
11	910 011 404	Manomètre 0 - 4 bar	Gauge, 0 - 4 bar / 0 - 58	Manometer 0 - 4 bar	Manómetro, 0 - 4 bar	1
12	906 333 102	Bouchon 1/4	Plug, 1/4	Stopfen 1/4	Tapón, 1/4	1
13	050 102 646	Raccord inox M 1/4 BSP - M 3/8 NPS (sortie produit)	Fitting, stainless steel, double male, 1/4 BSP - 3/8 NPS (fluid outlet)	Doppelnippel, Edelstahl AG 1/4 BSP - 3/8 NPS (Materialausgang)	Racor inox AG 1/4 BSP - 3/8 NPS (salida producto)	1
14	903 090 806	Vanne FF 1/4	Valve, FF 1/4	Absperrventil IG/IG 1/4	Válvula HH 1/4	1
15	050 102 436	Raccord inox M 3/8 BSP - M 18 x 12 (entrée produit)	Fitting, stainless steel, double male, 3/8 BSP - 18 x 12 (fluid inlet)	Doppelnippel AG 3/8 BSP - 18 x 12 (Materialeingang)	Racor inox M 3/8 BSP - M 18 x 12 (entrada producto)	1
16	049 596 010	Canne d'aspiration	Suction rod	Saugschlauch	Caña de aspiración	1
17	050 371 301	Tuyau de purge Ø 6 x 8 longueur : 1,850 m	Drain hose Ø 6 x 8 / 1/4" x 5/16" length : 1,850 m / 6.1 ft	Entleerungsschlauch Ø 6 x 8 - Länge 1,850 m	Tubería de purga Ø 6 x 8 longitud : 1,850 m	1

	#	OPTION	OPTIONAL	OPTIONAL	OPCIÓN	
-	151 758 100	Godet gravité avec support	Gravity cup with bracket	Zulaufbehälter mit Halterung	Bote gravidad con soporte	1
-	151 662 355	▪ Kit godet gravité	▪ Gravity cup kit	▪ Zulaufbehälter-Kit	▪ Kit bote gravidad	1
-	051 755 020	▪ Support godet équipé	▪ Bracket, gravity cup	▪ Halterung für Zulaufbehälter, komplett	▪ Soporte bote equipado	1



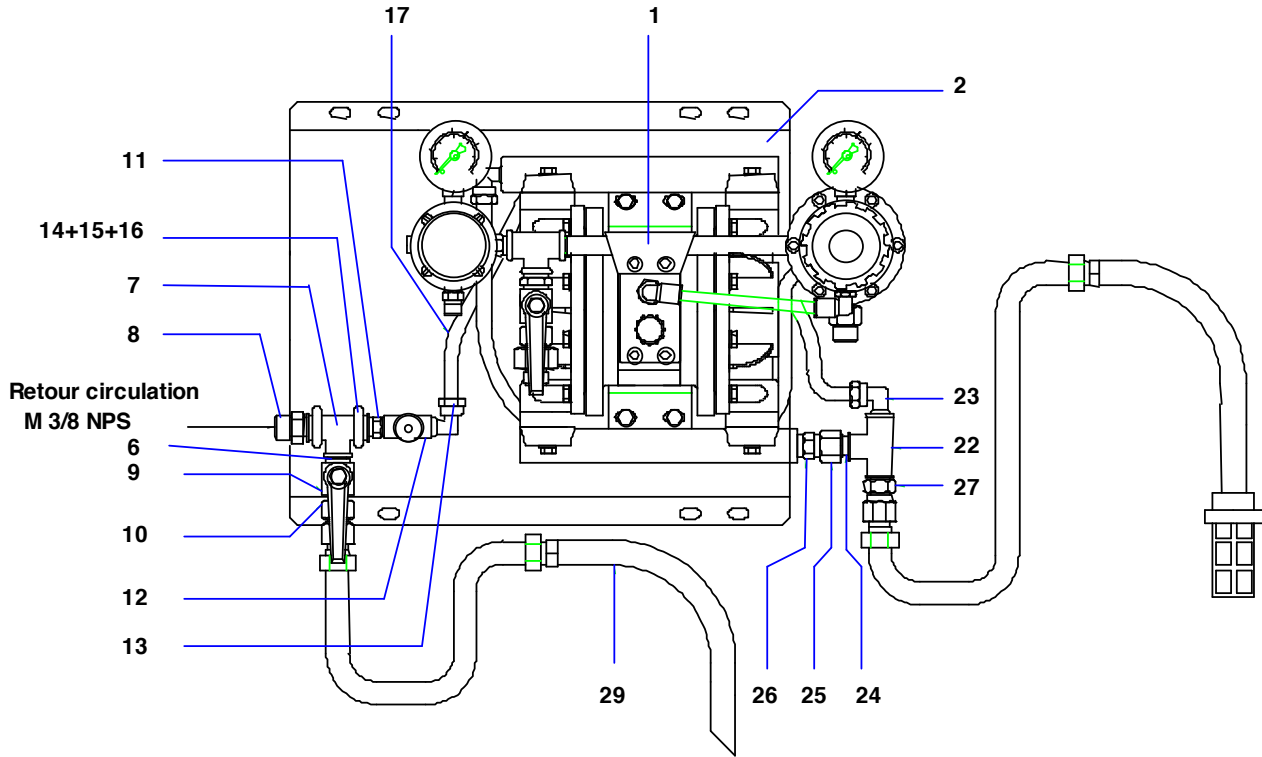
POMPE PMP 3R PRATIK	PUMP, MODEL PMP 3R PRATIK	# 151.758.300
PUMPE PMP 3R PRAKTIK	BOMBA PMP 3R PRATIK	

Ind	#	Désignation	Description	Bezeichnung	Denominación	Qté
-	151 758 000	Pompe PMP 150 PRATIK	Pump, model PMP 150 PRATIK	Pumpe PMP 150 PRAKTIK	Bomba PMP 150 PRATIK	1
-	151 753 010	Ensemble détenteur air moteur (voir Doc. 573.030.050)	Motor air regulator assembly (refer to Doc. 573.030.050)	Luftdruckregler Motor, komplett (siehe Dok. 573.030.050)	Conjunto manorreductor aire motor (consultar Doc. 573.030.050)	1



Doc. 573.247.050 Date/Datum/Fecha : 17/09/13 Annule/Cancel/ Ersetzt/Anula : 10/06/02	Modif. / Änderung : Mise à jour / Update / Aktualisierung / Actualización	Pièces de rechange Spare parts list Ersatzteilliste Piezas de repuesto
--	--	---

POMPE PMP 150 MURALE AVEC CIRCULATION (inox)	WALL MOUNTED PUMP, MODEL PMP 150 WITH FLUID CIRCULATION (stainless steel)	#
PUMPE PMP 150 WANDANLAGE MIT ZIRKULATION (Edelstahl)	BOMBA PMP 150 MURAL CON CIRCULACIÓN (inox)	151.757.000



■ MISE EN SERVICE

Raccorder le tuyau de retour de circulation sur le raccord (8).

Fermer le robinet pointeau (12).

Ouvrir le robinet (9).

Amorcer la pompe PMP 150.

Le produit est aspiré par la canne d'aspiration, circule dans la pompe, la tuyauterie, puis est refoulé par la canne de purge.

Lorsque le produit s'écoule sans bulle, fermer le robinet (9).

Régler le robinet pointeau (12) pour maintenir la circulation de produit désirée dans la tuyauterie.

■ START UP

Connect the fluid circulation hose to fitting (8).

Turn the needle-valve (12) clockwise.

Open the drain valve (9).

Prime the PMP 150 pump.

The material is drawn through the suction rod into the pump and hoses. Then, it is delivered through the drain rod.

When the material flows regularly, close the drain valve (9).

Adjust the needle-valve (12) so that the required fluid circulation is maintained in the hoses.

■ INBETRIEBNAHME

Den Rücklaufschlauch von der Pistole mit dem Anschluss (8) verbinden.

Das Nadelventil (12) schließen.

Den Absperrhahn (9) öffnen.

Die Pumpe PMP 150 mit Druckluft beaufschlagen. Die Pumpe fängt zu schlagen an.

Das Material wird von dem Saugschlauch angesaugt, strömt durch die Pumpe zur Pistole und über den Rücklaufschlauch zum Entleerungsschlauch in den Farbbehälter.

Fließt das Material ohne Blasen, den Absperrhahn (9) schließen.

Das Nadelventil (12) so weit öffnen, dass die gewünschte Materialzirkulation im Schlauch erreicht wird.

■ PUESTA EN MARCHA

Conectar la tubería de retorno de circulación sobre el racor (8).

Cerrar el grifo cierre punzón (12).

Abrir el grifo (9).

Poner en marcha la bomba, tipo PMP 150.

El producto es aspirado por la caña de aspiración, circula por la bomba, la tubería, para ser expulsado por la caña de purga.

Cuando el producto sale sin burbujas, cerrar el grifo (9).

La circulación deseada del producto, en la tubería, se regula mediante el grifo cierre punzón (12).

POMPE PMP 150 MURALE AVEC CIRCULATION	WALL MOUNTED PUMP, MODEL PMP 150 WITH FLUID CIRCULATION
PUMPE PMP 150 WANDANLAGE MIT ZIRKULATION	BOMBA PMP 150 MURAL CON CIRCULACIÓN

Ind	#	Désignation	Description	Bezeichnung	Denominación	Qté
1	151 751 000	Pompe PMP 150 murale	Wall mounted pump, model PMP 150	Wandpumpe PMP 150	Bomba PMP 150 mural	1
2	056 100 199	Panneau de fixation	Plate, mounting	Wandplatte	Panel de fijación	1
-	151 757 010	Ensemble de circulation et raccordement	Connecting and fluid circulation kit	Zirkulationseinheit mit Anschlüssen	Conjunto de circulación y de conexión	1
6	906 314 204	▪ Raccord inox M 1/4 BSP - M 3/8 BSP	▪ Fitting, stainless steel, double male, 1/4 BSP - 3/8 BSP	▪ Doppelnippel, Edelstahl AG 1/4 BSP - 3/8 BSP	▪ Racor inox M 1/4BSP - M 3/8 BSP	1
7	050 470 501	▪ Té FFF 1/4 inoxydable	▪ Tee, FFF 1/4 (corrosion resistant steel)	▪ T-Stück IG/IG/IG 1/4 Rostfrei	▪ Te HHH 1/4 inoxidable	1
8	050 102 646	▪ Raccord inox M 1/4 BSP - M 3/8 NPS (retour circulation)	▪ Fitting, stainless steel, double male, 1/4 BSP - 3/8 NPS (fluid circulation return)	▪ Doppelnippel AG 1/4 BSP - 3/8 NPS (Rücklauf der Zirkulation)	▪ Racor inox M 1/4 BSP - M 3/8 NPS (retorno de circulación)	1
9	903 090 218	▪ Robinet inox FF 3/8 BSP	▪ Valve, stainless steel, FF 3/8 BSP	▪ Absperrhahn, Edelstahl IG/IG 3/8 BSP	▪ Grifo inox HH 3/8 BSP	1
10	050 102 436	▪ Raccord inox M 3/8 BSP - M 18 x 125	▪ Fitting, stainless steel, double male, 3/8 BSP - 18 x 125	▪ Doppelnippel, Edelstahl AG 3/8 BSP - M 18 x 1,25	▪ Racor inox M 3/8 BSP - M 18 x 125	1
11	906 314 203	▪ Raccord inox MM 1/4 BSP	▪ Fitting, stainless steel, double male, 1/4 BSP	▪ Doppelnippel, Edelstahl AG/AG 1/4 BSP	▪ Racor inox MM 1/4 BSP	1
12	903 091 101	▪ Robinet poiteau inox F 1/4 BSP	▪ Needle-valve, stainless steel, F 1/4 BSP	▪ Nadelventil, Edelstahl IG 1/4 BSP	▪ Grifo cierre punzón inox H 1/4 BSP	1
13	905 190 414	▪ Raccord coudé plastique M 1/4 BSP - T 8 x 10	▪ Elbow fitting, polyacetale, M 1/4 BSP - T 8 x 10	▪ Winkelnippel, Kunststoff AG 1/4 BSP - T 8 x 10	▪ Racor acodado plástico M 1/4 BSP - T 8 x 10	1
14	906 313 202	▪ Etrier	▪ U-bolt	▪ Schelle	▪ Abarcón	2
15	953 010 016	▪ Ecrou HM 6	▪ Nut, HM 6	▪ Mutter HM 6	▪ Tuerca, HM 6	4
16	963 040 016	▪ Rondelle M 6	▪ Washer, M 6	▪ Scheibe M 6	▪ Arandela, M 6	4
17	539 090 103	▪ Tuyau noir T 8 x 10 longueur : 300 mm	▪ Hose (black), T 8 x 10 length : 300 mm / 12 "	▪ Schlauch, schwarz T 8 x 10 Länge : 300 mm	▪ Tubería (negra) T 8 x 10 longitud : 300 mm	1
22	050 470 501	▪ Té FFF 1/4 inoxydable	▪ Tee, FFF 1/4, corrosion resistant steel	▪ T-Stück IG/IG/IG 1/4 rostfrei	▪ Te HHH 1/4 inoxidable	1
23	905 190 414	▪ Raccord coudé plastique M 1/4 BSP - T 8 x 10	▪ Elbow fitting, polyacetale, M 1/4 BSP - T 8 x 10	▪ Winkelnippel, Kunststoff AG 1/4 BSP - T 8 x 10	▪ Racor acodado plástico M 1/4 BSP - T 8 x 10	1
24	050 112 201	▪ Ajustage inoxydable	▪ Adjustage, corrosion resistant steel	▪ Einschraubkegel, rostfrei	▪ Ajustaje inoxidable	1
25	050 271 303	▪ Ecrou inoxydable 18 x 125	▪ Nut, corrosion resistant steel, 18 x 125	▪ Mutter, rostfrei M 18 x 1,25	▪ Tuerca inoxidable 18 x 125	1

POMPE PMP 150 MURALE AVEC CIRCULATION (suite)	WALL MOUNTED PUMP, MODEL PMP 150 WITH FLUID CIRCULATION (follow up)
PUMPE PMP 150 WANDANLAGE MIT ZIRKULATION (Fortsetzung)	BOMBA PMP 150 MURAL CON CIRCULACIÓN (a continuación)

Ind	#	Désignation	Description	Bezeichnung	Denominación	Qté
26	050 102 436	▪ Raccord inox M 3/8 BSP - M 18 x 125	▪ Fitting, stainless steel, double male, 3/8 BSP - 18 x 125	▪ Doppelnippel, Edelstahl AG 3/8 BSP - M 18x1,25	▪ Racor inox M 3/8 BSP - M 18 x 125	1
27	050 102 444	▪ Raccord inox M 1/4 BSP - M 18 x 125	▪ Fitting, stainless steel, double male, 1/4 BSP - 18 x 125	▪ Doppelnippel, Edelstahl AG 1/4 BSP - M 18x1,25	▪ Racor inox M 1/4 BSP - M 18 x 125	1
29	049 596 000	▪ Canne de purge en inox	▪ Drain-rod, stainless steel	▪ Entleerungsschlauch, Edelstahl	▪ Caña de purga de inox	1

Nota : Pour les références commençant par 5, préciser la longueur à la commande.
Nota : When ordering a spare part whose the first digit is 5, specify the required length.
Hinweis : Bei Artikel-Nummern, die mit einer 5 beginnen, muss die Länge angegeben werden.
Nota : Cuando encarga Vd. una pieza de repuesto que empieza por un 5, precise Vd. la longitud necesaria.

Nota : Pour transformer l'ensemble en version mobile, prévoir un chariot 2 bras (# 051 221 000).
Nota : for mobile version pump, order a cart (# 051 221 000).
Hinweis : Für eine fahrbare Anlage, ein Fahrgestell mit 2 Armen bestellen (# 051 221 000).
Nota : para transformar el conjunto en una versión móvil, prever una carretilla 2 brazos (# 051 221 000).



DIAPHRAGM PUMP

PMP 150

PREVENTIVE MAINTENANCE

TRANSLATION OF THE ORIGINAL MANUAL

IMPORTANT : Before assembly and start-up, please read and clearly understand all the documents relating to this equipment (professional use only).

THE PICTURES AND DRAWINGS ARE NON CONTRACTUAL. WE RESERVE THE RIGHT TO MAKE CHANGES WITHOUT PRIOR NOTICE.

KREMLIN - REXSON

150, avenue de Stalingrad

93 245 - STAINS CEDEX – France

☎ : 33 (0)1 49 40 25 25 Fax : 33 (0)1 48 26 07 16

www.kremlin-rexson.com



CAUTION :

Before any action on the pump, shut off the compressed air supply and depressurize the system.

▪ **SPRAY GUN**

Comply with the usual instruction of the spray gun servicing (refer to spray gun manual).

▪ **PUMP**

**Guards (air motor cover, coupling shields, housings...) have been designed for safe use of the equipment.
The manufacturer will not be held responsible for bodily injury or failure and / or damage to property due to removal or partial removal of the guards.**

Make sure that the suction strainer is clean and in good condition.

Flush the pump as often as necessary, specially when spraying pigment-filled material.

Whatever the case, when stopping the pump always leave it filled up with :
For a short duration shutdown, if the flushing has not been carried out, leave the pump filled up with material.
For a long duration shutdown, after flushing the pump, leave it filled up with clean solvent.



DIAPHRAGM PUMP

PMP 150

TROUBLESHOOTING GUIDE

TRANSLATION OF THE ORIGINAL MANUAL

IMPORTANT : Before assembly and start-up, please read and clearly understand all the documents relating to this equipment (professional use only).

THE PICTURES AND DRAWINGS ARE NON CONTRACTUAL. WE RESERVE THE RIGHT TO MAKE CHANGES WITHOUT PRIOR NOTICE.

KREMLIN - REXSON

150, avenue de Stalingrad

93 245 - STAINS CEDEX – France

☎ : 33 (0)1 49 40 25 25 Fax : 33 (0)1 48 26 07 16

www.kremlin-rexson.com



CAUTION :

Before any action on the pump, shut off the compressed air supply and depressurize the system.

TROUBLE	SOLUTION
Pump does not start	Check the pump air supply.
Priming trouble :	Be sure the spray gun is fully opened and air is evacuated through this one.
→ Air is always coming out from the spray gun	Air intake at the fitting or at the suction rod.
→ When priming, air or material do not come out from the spray gun	Make sure the pressure read at the fluid regulator is equal to 1 or 2 bar / 14.5 or 29 psi (minimum).
Air bubble in material	Check tightening of the 2 screw-washers (ind. 21).
Pump does not stop when gun trigger is released	Check suction and exhaust valves.
Spraying troubles	Refer to spray gun manual.



DIAPHRAGM PUMP

PMP 150

***OPERATING PRINCIPLE
AND START-UP***

TRANSLATION OF THE ORIGINAL MANUAL

IMPORTANT : Before assembly and start-up, please read and clearly understand all the documents relating to this equipment (professional use only).

THE PICTURES AND DRAWINGS ARE NON CONTRACTUAL. WE RESERVE THE RIGHT TO MAKE CHANGES WITHOUT PRIOR NOTICE.

KREMLIN - REXSON

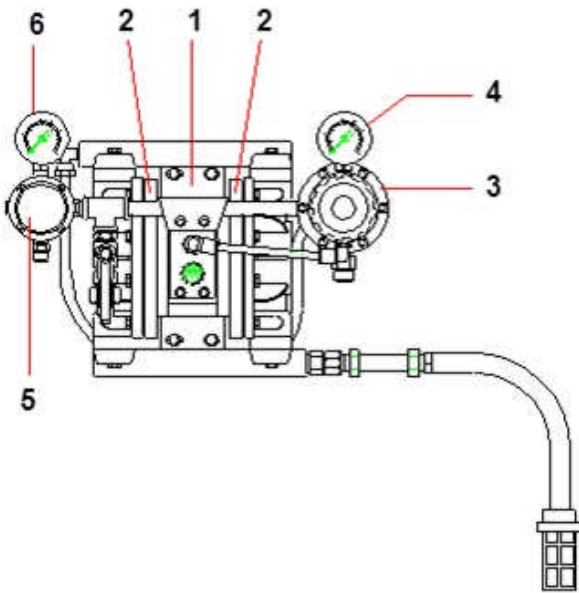
150, avenue de Stalingrad

93 245 - STAINS CEDEX – France

☎ : 33 (0)1 49 40 25 25 Fax : 33 (0)1 48 26 07 16

www.kremlin-rexson.com

1. OPERATING PRINCIPLE



The pump consists of :

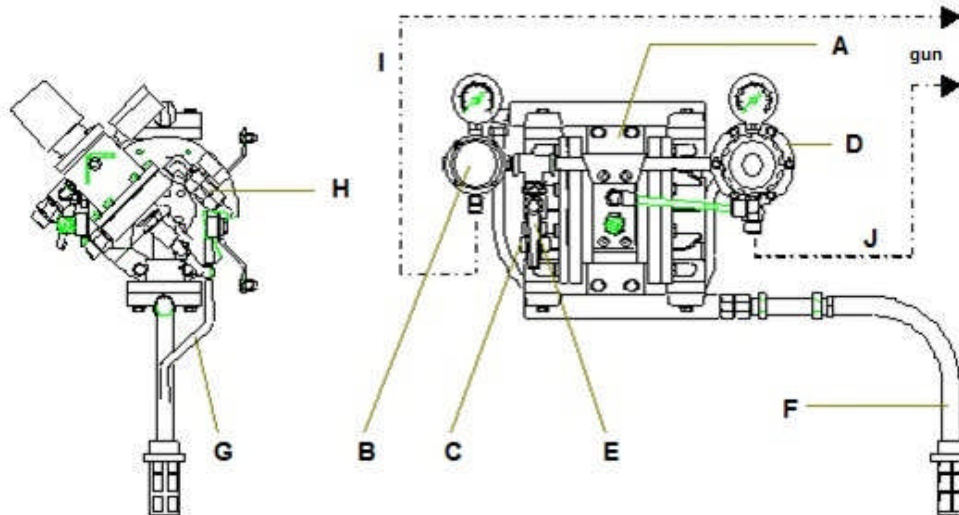
- a central air motor (1),
- two identical fluid chambers (2) located on either side of the motor.

The motor is directly supplied with compressed air from the air pressure network (maximum 6 bar / 87 PSI) or via an air regulator (depending on the model). An air chamber is alternatively supplied by an air distributor, thus causing the motion of the diaphragms. Each of the two fluid chambers includes a suction valve and an exhaust valve. Alternatively material is siphoned and exhausted by each chamber.

At the pump outlet, a fluid regulator with pilot (3) provides a constant fluid pressure and flow rate. The fluid pressure is equal to the pressure read on the gauge (4).

The atomizing air pressure is adjusted by means of the air regulator (5). The pressure is read on the gauge (6).

2. START-UP



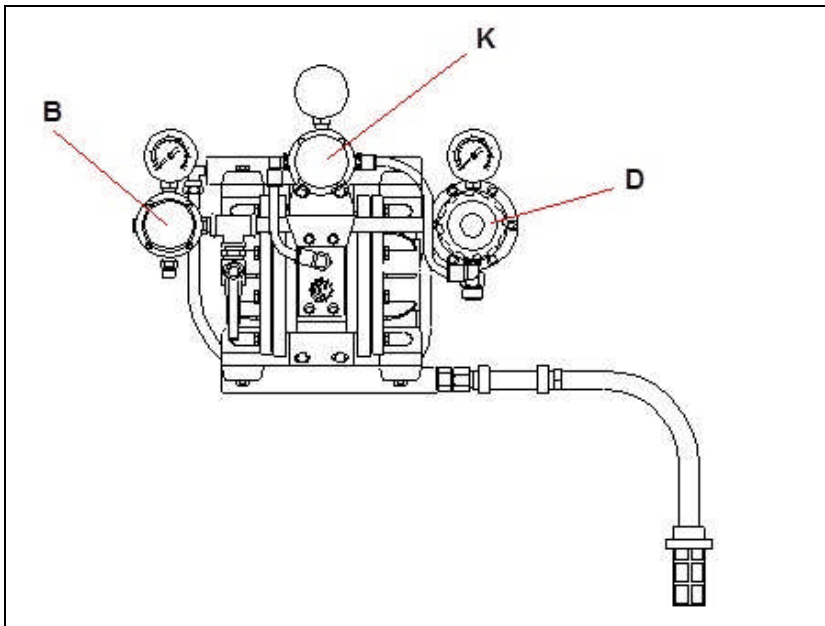
Captions :

- A - Pump
- B - Air regulator (gun)
- C - Air inlet
- D - Fluid regulator with pilot
- E - Air shut off valve
- F - Suction rod

- G - Drain hose
- H - Drain valve
- I - Air hose (static conductor)
(\varnothing 7 or 8 mm / 1/4" or 5/16" depending on the model of the gun)
- J - Material hose (7 or 10 mm / 1/4" or 3/8" ID).
(For specific installation, please contact your KREMLIN REXSON representative).

Start up procedure :

- 1 - Ground the pump.
- 2 - Unscrew the air regulators (B and D).
- 3 - Interconnect the equipment with the air pressure network (clean air - 6 bar / 87 PSI maxi). Install a water drop, model 3/8 if necessary.
- 4 - Connect all the hoses (air hoses and material hose) as well as the spray gun.
- 5 - Immerse suction rod (F) and drain hose (G) into material container.
- 6 - Open drain valve (H).
- 7 - Open the motor - valve (E) air supply - ($P \geq 1$ bar / 14.503 PSI).
- 8 - Gradually screw fluid regulator (D) so that the pump runs slowly.
- 9 - Check drain hose. When material flows out regularly, close drain valve (H).
- 10 - Point the spray gun, not supplied with air, towards the material container and press the trigger.
- 11 - Supply air pressure to the spray gun.
- 12 - Adjust fluid regulator (D) to get the appropriate material pressure and flow rate.
- 13 - Gradually open air regulator (B) to adjust spraying air to obtain the required spray pattern.



↻ If the pump is equipped with an air regulator (K), screw this one, then adjust the fluid regulator (D).

➔ The pressure read at the air motor regulator (K) must exceed by 1.5 bar / 22 psi (minimum) the fluid pressure indicated by the fluid regulator (D).

3. SHUTDOWN AT THE END OF WORK

**Guards (air motor cover, coupling shields, housings...) have been designed for safe use of the equipment.
The manufacturer will not be held responsible for bodily injury or failure and / or damage to property due to removal or partial removal of the guards.**

- 1 - Unscrew the spray gun air regulator (B) to release the air pressure and disconnect air inlet at the spray gun.
- 2 - Remove air cap from the spray gun and put it into solvent.
- 3 - Remove suction rod from the material container and immerse it in a solvent-filled container. (Take all appropriate precautions in the presence of flammable solvents).
- 4 - Point the spray gun towards the material container and press the gun trigger. When the solvent flows out, point the gun into a recovery container.
- 5 - When the solvent flows out clear and clean, release the gun trigger.
- 6 - Fully unscrew fluid regulator (D) and shut off the main compressed air valve.
- 7 - Trigger the gun again to decompress the hoses. Therefore the pump and the hoses remain filled with solvent at the atmospheric pressure.



DIAPHRAGM PUMP

PMP 150

TECHNICAL FEATURES

TRANSLATION OF THE ORIGINAL MANUAL

IMPORTANT : Before assembly and start-up, please read and clearly understand all the documents relating to this equipment (professional use only).

THE PICTURES AND DRAWINGS ARE NON CONTRACTUAL. WE RESERVE THE RIGHT TO MAKE CHANGES WITHOUT PRIOR NOTICE.

KREMLIN - REXSON

150, avenue de Stalingrad

93 245 - STAINS CEDEX – France

☎ : 33 (0)1 49 40 25 25 Fax : 33 (0)1 48 26 07 16

www.kremlin-rexson.com

1. DESCRIPTION

Pneumatic dual diaphragm pump.

- Low maintenance and ease of use.
- No fluid packing.
- Easy flushing.

PMP 150 standard recommended for :

- supplying one or several spray guns,
- the following materials : paints and inks, epoxy, adhesives, water-based.

PMP 150 E recommended for :

- water-based and charged materials (without solvent).

2. TECHNICAL FEATURES

Fluid pressure ratio	1/1	1/1
Capacity	50 cm ³	1.76 oz
Delivery per cycle	100 cm ³	3.52 oz
Number of cycles	10	38 per gal
Fluid delivery per cycle	19 l/mn	5 US gal
Air pressure operating range	6 bar	87 psi
Maximum discharge pressure	6 bar	87 psi
Weighted sound pressure (LAeq)	< 70 dBa	< 70 dBa
Maximum operating temperature	50°C	122°F
Air supply hose (minimum ID for a 5 m / 16.5 ft length)	∅ 10 mm	3/8 "
Weight	5 Kg	11 Lbs

Wetted parts in contact with the materials :	PMP 150 standard	PMP 150 E
Diaphragms	PTFE	Polyurethan
Valves	Stainless steel	Polyurethan
Collectors and flanges	Polypropylen	
Seat seals	PTFE	
Fluid regulator with integrated air pilot	Stainless steel	-

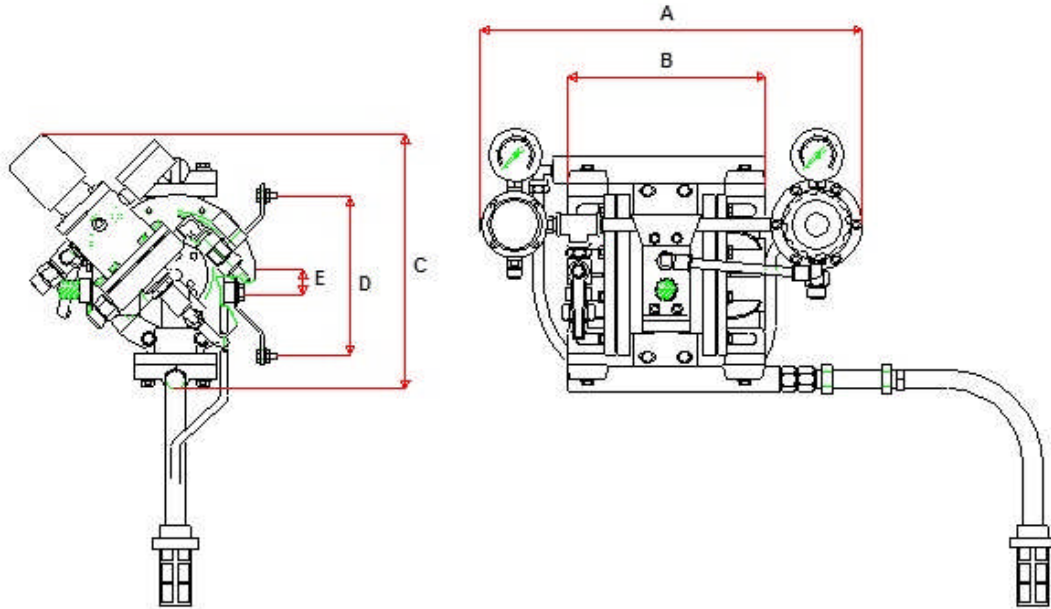
■ FITTINGS

Air inlet : F 3/8 BSP (air valve)

Fluid inlet : M 18 x 125 or suction rod

Fluid outlet : M 3/8 NPS

■ DIMENSIONS



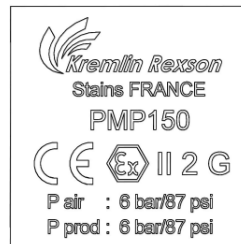
Ind.	mm	"	Ind.	mm	"	Ind.	mm	"	Ind.	mm	"	Ind.	mm	"
A	360	14.2	B	190	7.48	C	240	9.45	D	150	5.9	E	40	1.57

3. INSTALLATION

The pumps are designed to be installed in a spray booth.

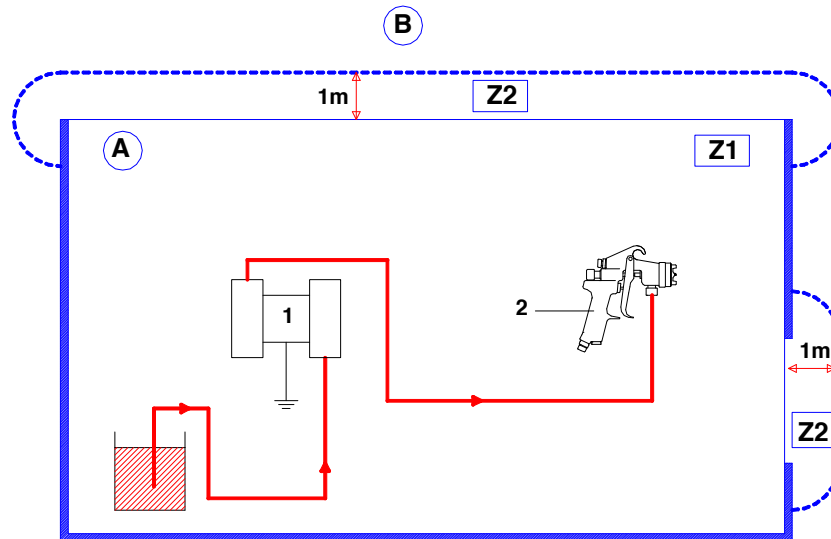
■ DESCRIPTION OF THE LABEL MARKING

Marking in accordance with the ATEX directive



KREMLIN REXSON 93 245 Stains FRANCE	Name and address of the manufacturer
PMP 150	Pump model
CE	European conformity
Ex II 2 G	II : group II 2 : class 2 Surface equipment meant to area where explosive atmospheres due to gas, vapours, mists are liable to appear from time to time in usual operating. G : gas
P air : 6bar / 87 psi	Air and fluid supply maximum pressure
P prod : 6bar / 87 psi	Fluid supply maximum pressure

■ INSTALLATION INSTRUCTIONS



Ind.	Description
A	Explosive area area 1 (Z1) or area 2 (Z2) : spray booth
B	Non explosive area

Ind.	Description
1	Pump
2	Spray gun