

DISTRIBUTED BY:
Pro Wood Finishes
14622 Southlawn Lane
Rockville MD 20850
Ph: (301) 424-3033

Festool GmbH
Wertstraße 20
73240 Wendlingen
Germany

FESTOOL

www.festoolusa.com

Instruction manual - Mobile dust extractors

Page 6

IMPORTANT: Read all instructions before using.

Guide d'utilisation - Aspirateurs

Page 15

IMPORTANT: Lire toutes les instructions avant de démarrer les travaux.

Manual de instrucciones - Sistemas móviles de aspiración

Página 25

IMPORTANTE: Lea todas las instrucciones antes de usar.

Instruction manual
Guide d'utilisation
Manual de instrucciones

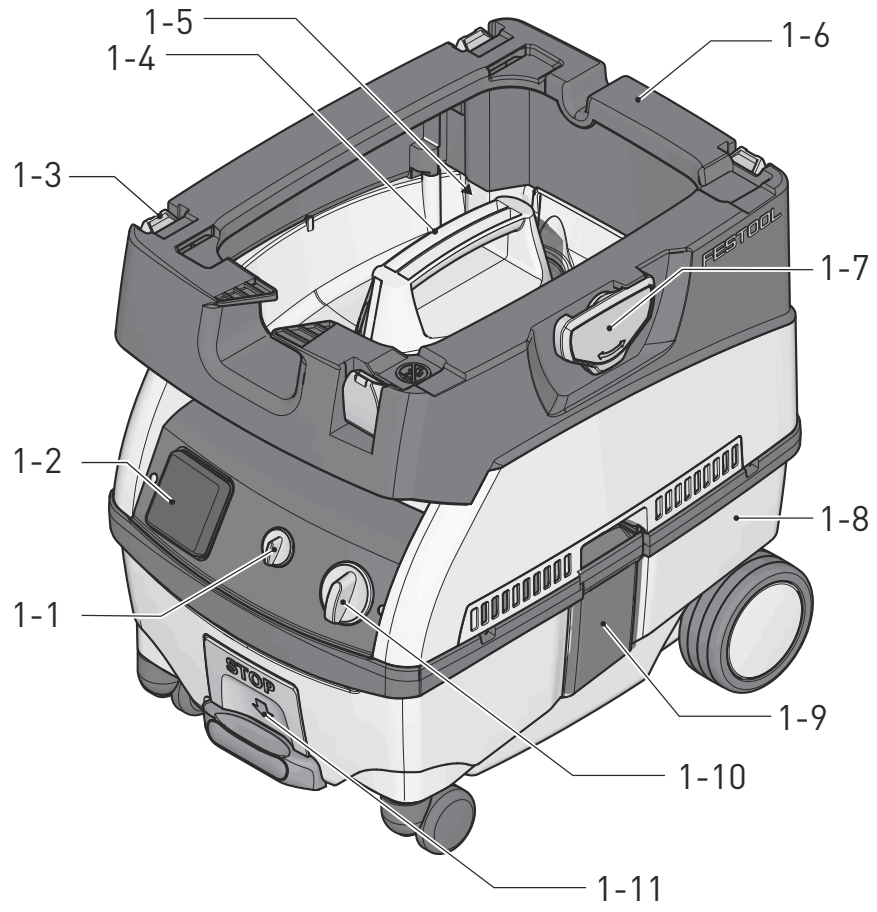
CT MINI
CT MIDI



708449_001



1






Original operating manual



About this manual.....	6	Intended use	10
Symbols.....	6	Operation	10
Safety instructions	7	Settings.....	11
Technical data	9	Working.....	12
Functional description	9	Service and maintenance	13
		Environment	14

About this manual










Save these instructions

It is important for you to read and understand this manual. The information it contains relates to protecting **your safety** and **preventing problems**. The symbols below are used to help you recognize this information.

	DANGER	Description of imminent hazard and failure to avoid hazard will result in death.
	WARNING	Description of hazard and possible resulting injuries or death.
	CAUTION	Description of hazard and possible resulting injuries.

	NOTICE	Statement including nature of hazard and possible result.
	HINT	Indicates information, notes, or tips for improving your success using the tool.

Symbols

W	watt	"	inch
h	hour	lbs.	pound
min	minutes		diameter
s	seconds		hint, tipp
kg	kilograms		Warning of general danger
Pa	pascal		Risk of electric shock
dB	decibel		Read the Operating Instructions/Notes!
V	volts		Wear a dust mask.
A	amperes	WARNING!	The machine may contain hazardous dust!
Hz	hertz		Do not throw in the household waste.
~	alternating current		Climbing prohibited
a.c.			
---	direct current		
d.c.			
n_0	no load speed		
	Class II construction		
rpm	revolutions per minute		
min^{-1}			

Safety instructions



IMPORTANT SAFETY INSTRUCTIONS

When using an electrical appliance, basic precautions should always be followed, including the following:

READ ALL INSTRUCTIONS

BEFORE USING THIS DUST EXTRACTOR:




WARNING - To reduce the risk of fire, electric shock, or injury:

- Do not leave the dust extractor when plugged in. Unplug from outlet when not in use and before servicing.
- Use indoors only.
- Do not allow to be used as a toy. Close attention is necessary when used by or near children.
- Use only as describes in this manual. Use only manufacturer's recommended attachments.
- Do not use with damaged cord or plug. If the dust extractor is not working as it should, has been dropped, damaged, left outdoors, or dropped into water, return it to a service center.
- Do not pull or carry by cord, use cord as a handle, close a door on cord, or pull cord around sharp edges or corners. Do not run dust extractor over cord. Keep cord away from heated surfaces.
- Do not unplug by pulling on cord. To unplug, grasp the plug, not the cord.
- Do not handle plug or dust extractor with wet hands.
- Do not put any object into openings. Do not use with any opening blocked; keep free of dust, lint, hair, and anything that may reduce air flow.
- Keep hair, loose clothing, fingers, and all parts of body away from openings and moving parts.
- Turn off all controls before unplugging.
- Use extra care when cleaning on stairs.
- Do not use to pick up flammable or combustible liquids, such as gasoline, or use in areas where they may be present.
- Connect to a properly grounded outlet only. See Grounding instructions.
- Do not pick up anything that is burning or smoking, such as cigarettes, matches, or hot ashes.
- Do not use without dust bag and/or filters in place.

SAVE THESE INSTRUCTIONS

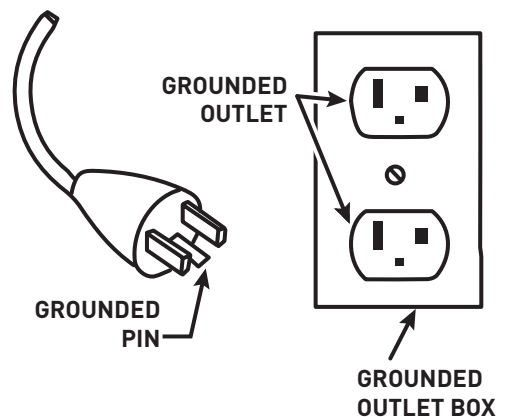
GROUNDING INSTRUCTIONS

This appliance must be grounded. If it should malfunction or breakdown, grounding provides a path of least resistance for electric current to reduce the risk of electric shock. This vacuum cleaner is equipped with a cord having an equipment-grounding conductor and grounding plug. The plug must be inserted into a appropriate outlet that is properly installed and grounded in accordance with all local codes and ordinances.

 **WARNING** - Improper connection of the equipment grounding conductor can result in a risk of electric shock. Check with a qualified electrician or service person if you are in doubt as to whether the outlet is properly grounded. Do not modify the plug provided with the dust extractor - if it will not fit the outlet, have a proper outlet installed by a qualified electrician.

This appliance is for use on a nominal 120-V circuit and has a grounding attachment plug that looks like the plug illustrated in sketch A in Figure beside. Make sure that the appliance is connected to an outlet having the same configuration as the plug. No adaptor should be used with this appliance.

GROUNDING METHODS - SKETCH A



Further safety instructions

- This device is not intended for use by persons (including children) with reduced physical, sensory or mental capabilities, or lack of experience and knowledge.

Children should always be supervised to ensure that they do not play with the device.



CAUTION

**This machine is for indoor use only.
This machine shall be stored indoors only.**




WARNING

Risk of injury

► The receptacle is energized when the dust extractor is turned on.

Health hazard by dust

 **WARNING!** Various dust created by power sanding, sawing, grinding, drilling and other construction activities contains chemicals known (to the State of California) to cause cancer, birth defects or other reproductive harm. Some examples of these chemicals are:

- lead from lead-based paints,
- crystalline silica from bricks and cement and other masonry products, and
- arsenic and chromium from chemically treated lumber.



The risk from these exposures varies, depending on how often you do this type of work. To reduce your exposure to these chemicals: work in a well ventilated area, and work with approved safety equipment, such as dust masks that are specially designed to filter out microscopic particles. Wash hands after handling.



WARNING

TO REDUCE THE RISK OF INJURY, USER MUST READ INSTRUCTION MANUAL.

Technical data

Mobile dust extractors			
Power consumption			400 - 1200 W
Maximum appliance socket connected load			1200 W
Max. suction capacity (air), extractor/turbine			95 m ³ /h / 222 m ³ /h
Max. vacuum, turbine			24000 Pa
Filter surface area			5000 cm ²
Suction hose			D 27/32 mm x 3,5 m-AS
Length of the net cable			7,5 m
Sound pressure level as per EN 60704-2-1 / Uncertainty K			72 dB(A) / 3 dB
Protection category			IP X4
Container capacity		CT MINI	10 l
		CT MIDI	15 l
Dimensions L x W x H		CT MINI	430 x 330 x 420 mm
		CT MIDI	430 x 330 x 470 mm
Weight		CT MINI	8,8 kg
		CT MIDI	9,1 kg

Functional description

The pictures for the functional description are on a fold-out page at the beginning of the instruction manual. When reading of the manual you can fold out this page for having always an overview of the machine.

[1-1] Suction power adjuster

[1-2] Appliance socket

[1-3] SysDoc

[1-4] Handle

[1-5] Intake opening

[1-6] Hose store

[1-7] T-LOC latch for Systainers

[1-8] Dust container

[1-9] Locking clip

[1-10] Switch

[1-11] Brake

Intended use

Mobile dust extractor suitable for

- Extracting non-hazardous dust, dirt, sand and chips,
- Extracting water,
- Increased loads during commercial use, according to IEC/EN 60335-2-69.

The filtering performance of the overall unit, which is fitted with a HEPA filter element, corresponds to HEPA quality H 13 (medium degree of filtration 99.95%).



The user is liable for improper or non-intended use.

Operation

Consider the pictures on the fold-out page.



WARNING

Unauthorised voltage or frequency!

Risk of accidents

- ▶ Observe the specifications on the machine's name plate.
- ▶ Observe country-specific regulations.

Extension Cord

If an extension cord is required, it must have sufficient cross-section to prevent an excessive drop in voltage or overheating. An excessive drop in voltage reduces the output and can lead to failure of the motor. The table below shows you the correct cord diameter as a function of the cord length for this tool.

Total Extension Cord Length (feet)	25	50	100	150
Cable size (AWG)	14	12	not recommended	

Use only U.L. and CSA listed extension cords.

Never use two extension cords together. Instead, use one long one.

- ① The lower the AWG number, the stronger the cord.

Connecting the mobile dust extractor



WARNING

Risk of injury from tools starting up unexpectedly

- ▶ Before setting the switch to the "AUTO" or "MAN" position, make sure that the connected tool is switched off.

The switch **[1-10]** serves as an on/off switch.

Switch position "0"

Appliance socket **[1-2]** is disconnected from the power, mobile dust extractor is switched off.

"MAN" switch position

Appliance socket **[1-2]** is connected to the power, the mobile dust extractor starts.

"Auto" switch position

Appliance socket **[1-2]** is connected to the power, the mobile dust extractor starts when the connected tool is switched on.

- ▶ Insert the plug into an earthed socket.



Pull the plug from the socket when the machine is not in use and prior to maintenance and cleaning work.

Connecting electric power tools

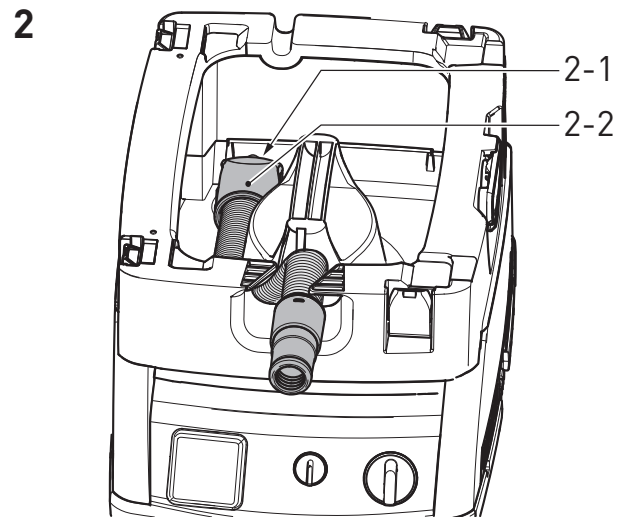
WARNING

Risk of injury

- ▶ Observe the maximum appliance socket connected load (see chapter "Technical data")
 - ▶ Switch off the electric power tool.
-
- ▶ Connect the electric power tool to the appliance socket [1-2].

Connecting the suction hose [2]

- ▶ Connect the suction hose to the angle adapter [2-2] on the extraction opening [2-1].



The antistatic system

Friction inside the extraction hose causes static electricity to develop during extraction. Operating personnel may receive unpleasant electric shocks while working. The mobile dust extractor is fitted with an antistatic system as standard to discharge any static electricity that may develop. However, always use the enclosed antistatic extraction hose.

Settings

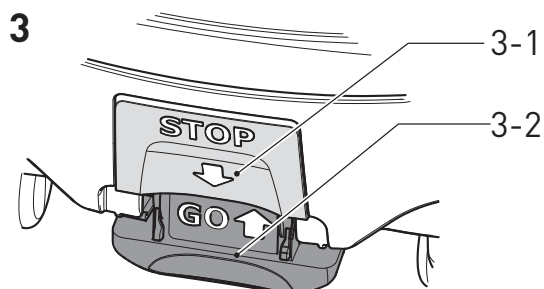
Consider the pictures on the fold-out page.

Adjusting the suction power

- ▶ Use the rotary knob [1-1].

Applying the brake [3]

- ▶ Raise the front of the dust extractor slightly.
- ▶ Push down the brake [3-2] until it engages into position.
- ▶ Actuate the lever [3-1] to release.



Temperature cut-out

A temperature cut-out switches the mobile dust extractor off when it reaches a critical temperature to prevent overheating.

- ▶ Switch off the mobile dust extractor, allow to cool for about 5 minutes then switch on again.
- ⓘ Not possible to switch on: contact Festool service workshop.

SYSDOC

A Systainer can be secured to the storage area [1-7] using the T-LOC latch [1-8]. Systainers without a T-LOC can be secured using four SysDoc latches [1-3].

Extracting dry materials

WARNING

Not suitable to vacuum hazardous or toxic substances or dusts e.g. asbestos.

- ▶ The filters will not be able to capture all particles and may exhaust them back into the environment.

Remember: A damp main filter will clog more quickly when dry materials are extracted. Therefore, dry the main filter before extracting dust or replace the damp filter with a dry one.

Extracting fluids

WARNING

Risk of injury

- ▶ Do not evacuate combustible liquids!

ⓘ The main filter shall only be used for extracting dry materials.

Before extracting fluids, remove the filter bag (see chapter Changing the filter bag). We recommend using a special wet filter.

The dust extractor stops automatically when the maximum level is reached.

CAUTION

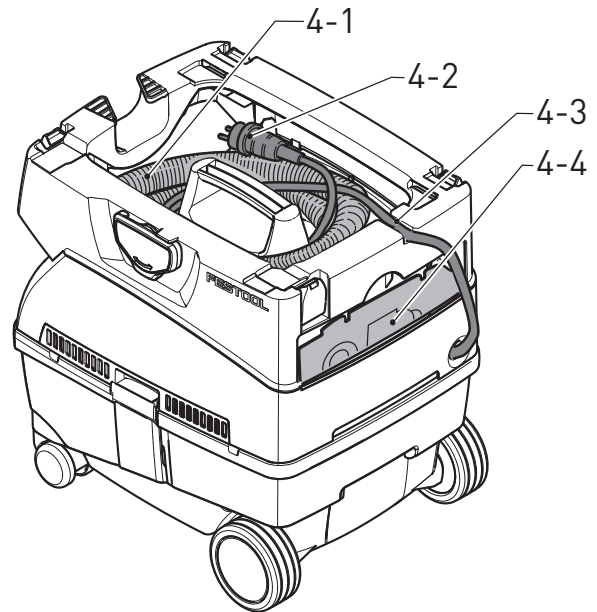
Escaping foam and fluids

- ▶ Switch off the machine immediately and empty the dust container.

After finishing work

- ▶ Switch off the mobile dust extractor and pull out the mains plug.
- ▶ Wind up the mains power cable.
- ▶ Empty the dirt trap.

4



- ▶ Place the suction hose [4-1] and mains power cable [4-2] in the top section. Insert the mains cable through the recess [4-3].
- ▶ Vacuum and wipe off the inside and outside of the mobile dust extractor.
- ⓘ A replacement filter bag can be stored in the storage compartment [4-4].
- ▶ Place the mobile dust extractor in a dry room inaccessible to unauthorised users.



WARNING

Any maintenance or repair work that requires opening of the motor or gear housing should only be carried out by an authorised Customer Service Centre (name supplied by your dealer)!

- ▶ Maintenance or repair work carried out by an unauthorised person can lead to the wrong connection of the power cord or other components, which in turn can lead to accidents with serious consequences.



WARNING

To prevent accidents, always remove the plug from the power supply socket before carrying out any changes or maintenance work on the tool!

- ▶ Do not use compressed air to clean the electrical tool! Do not try to clean parts inside the tool in this way, as you could let foreign objects in through the openings of the tool housing.

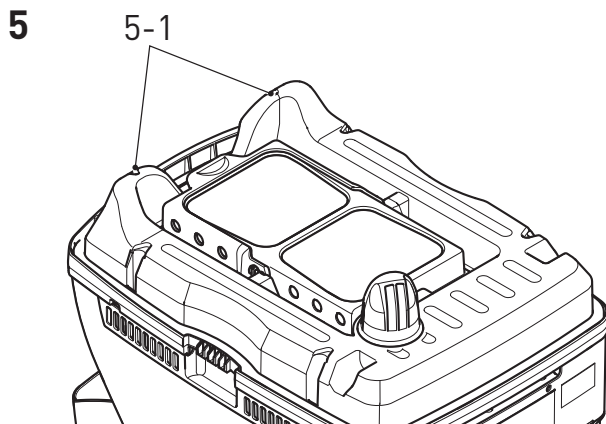


Customer service and repair only through manufacturer or service workshops: Please find the nearest address at: www.festoolusa.com/service



EKAT
Use only original Festool spare parts! Order No. at: www.festoolusa.com/service

- ▶ Clean the level sensors [5-1] and empty the dirt trap [1-8] regularly.



Observe the following instructions:

- The manufacturer or an instructed person must perform a dust test at least once a year to determine whether the filter is damaged, the machine is sealed properly and the monitoring features are functioning correctly.
- Anything that cannot be cleaned must be discarded in impermeable bags. Observe applicable disposal regulations!

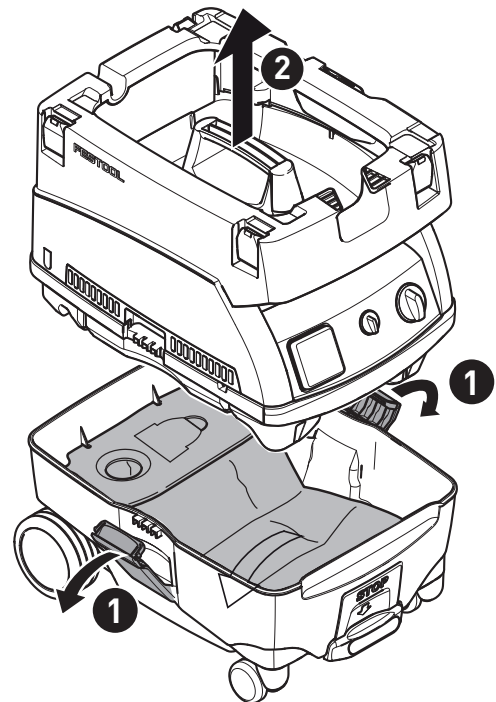
Changing the filter bag

NOTE

Motor damage

- ▶ Never operate the extractor without a filter element fitted as the motor may become damaged.
- ▶ Open the locking clips and remove the top section of the machine [6].

6

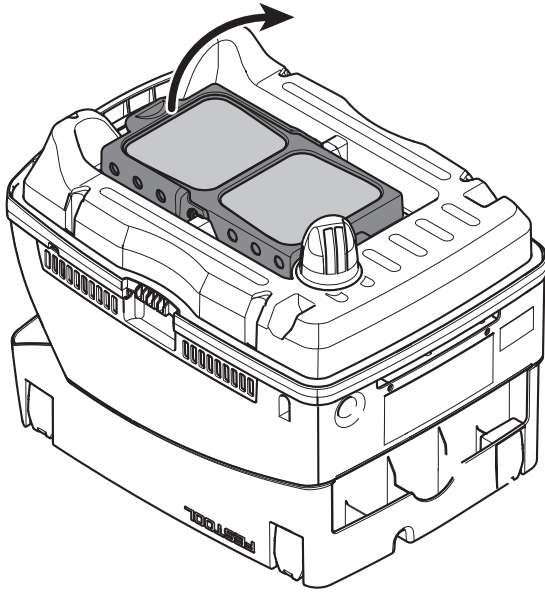


- ▶ Changing the filter bag - see printing on filter bag.
- ▶ Replace the top section of the machine and close the locking clips.

Changing the filter element

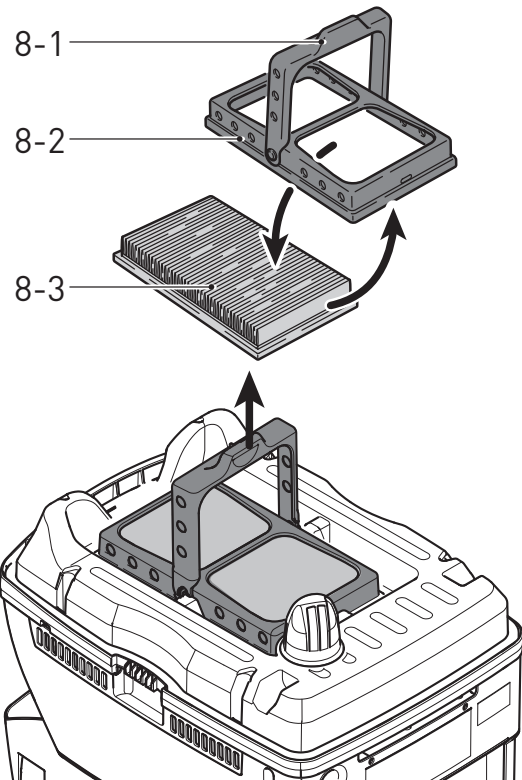
- ▶ Open the locking clips and remove the top section of the machine [6].

7



- ▶ Turn the top section of the machine so that the filter element is facing upwards (Fig. [7]).
- ▶ Fold over the handle [8-1] and remove the holder [8-2].
- ▶ Remove the used filter element [8-3] and replace with a new one.
- ▶ Dispose of the used filter element in accordance with statutory regulations.
- ▶ Replace the holder [8-2] and fold over the handle [8-1] until it latches into place.

8



- ▶ Replace the top section of the machine and close the locking clips.
- ⓘ The order numbers for accessories, filters and consumables can be found in the Festool catalogue or on the internet at www.festoolusa.com.

Environment

Do not throw the power tool in your household waste! Dispose of machines, accessories and

packaging at an environmentally responsible recycling centre. Observe the valid national regulations.