

CLEAN AIR CONTROL

- Removes particulates and moisture
- Compact design, large capacity
- Available in regulated and non-regulated models

INCLUDES:

- 5 micron particle filter
- Mounting bracket
- Regulator and gauge included on Model # HAR-680

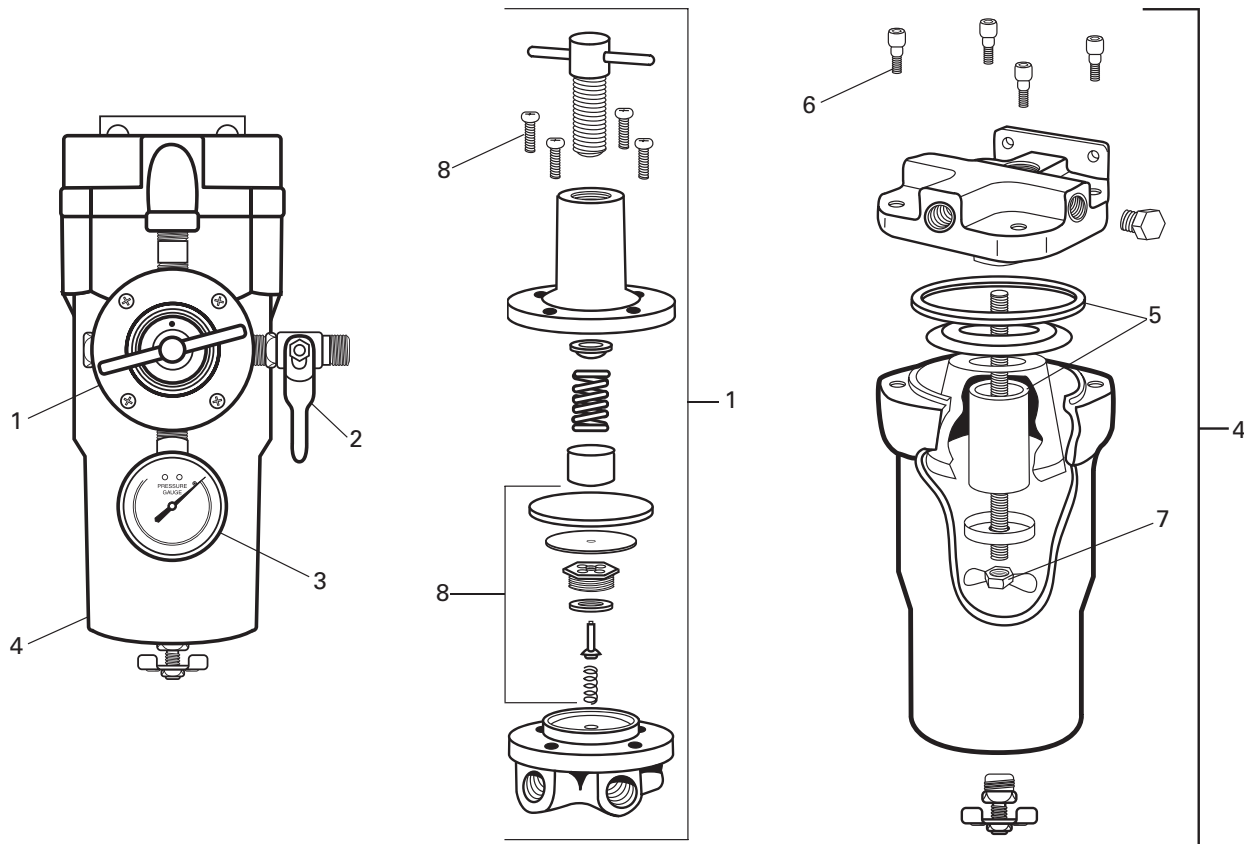
Model #HAF-580 - 803642	\$99.95
Model #HAR-680 - 803643	\$119.95



80 CFM
Model #HAR-680 - 803643

REGULATOR
50 CFM

80 CFM
Model #HAF-580 - 803642



PARTS LIST

Ref. No.	Order No.	Model No.	Description	Ind. Parts Req.
1	130100	HAR-520	Regulator	1
2	240160	VA-594	Shut-Off Valve	1
3	192314	GA-375	Pressure Gauge	1
4	803642	HAF-580	80 CFM Filter Unit	1
5	803641	HAF-47	80 CFM Filter Element	1
6	*	*	Socket Head Screw, 1/4-20 x 3/4	4
7	*	*	Wingnut, 1/4-20	1
8	802112	KK-5088	Regulator Kit	1

SPECIFICATIONS

Air Inlet:	1/2 NPT (female)
Air Outlet HAF-580:	3/8 NPT (female)
Air Outlet HAR-680:	1/4 NPSM (male)
Air Capacity:	80 CFM filter 50 CFM regulator
Max. Pressure:	150 PSI
Max. Temp.:	150° F
Filter Size:	5 micron