

880A Air Control Unit

310603E

ENG



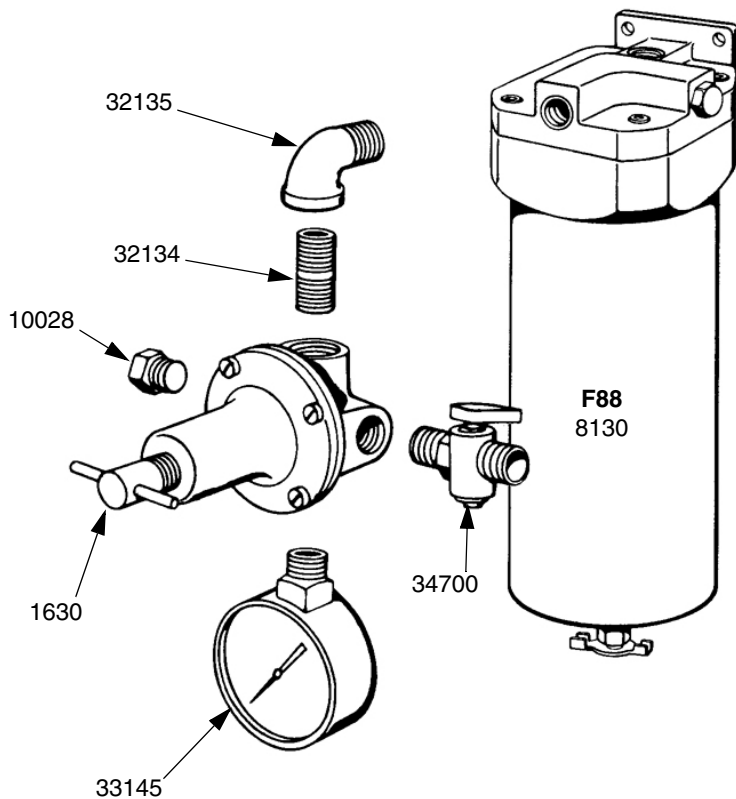
Important Safety Instructions

Read all warnings and instructions in your equipment manual. Save all instructions.

880A AIR CONTROL UNIT

PART NO. 6950

Maximum Working Pressure: 160 psi (1.1 MPa, 11.0 bar)



PART NO.	DESCRIPTION
1630	18C-3R Air Regulator
8130	F88 Air Filter
10028	Plug
32134	Nipple
32135	Elbow
33145	Gauge
34700	Air Cock

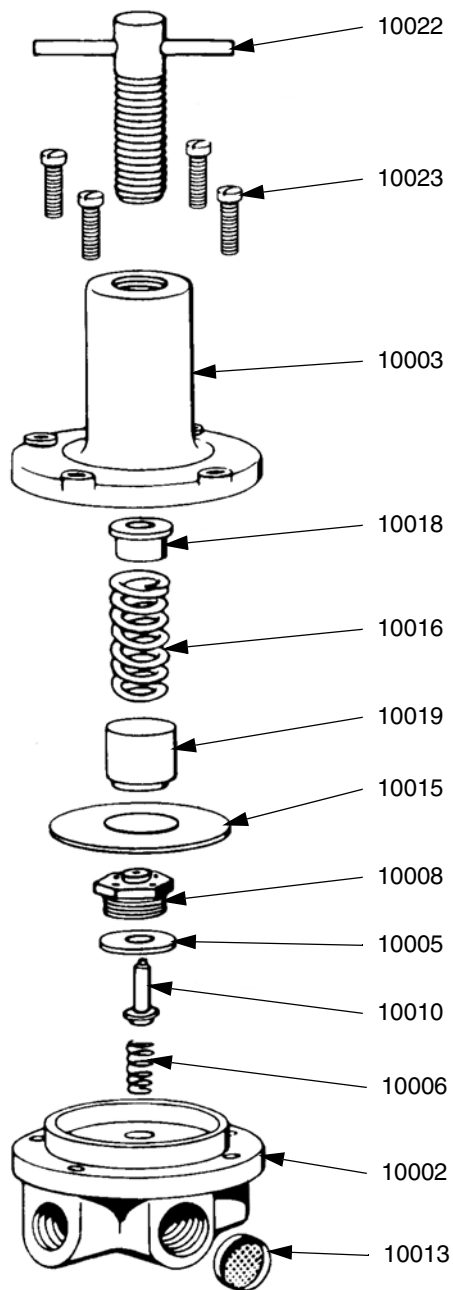


HO03

18C-3R AIR REGULATOR

PART NO. 1630

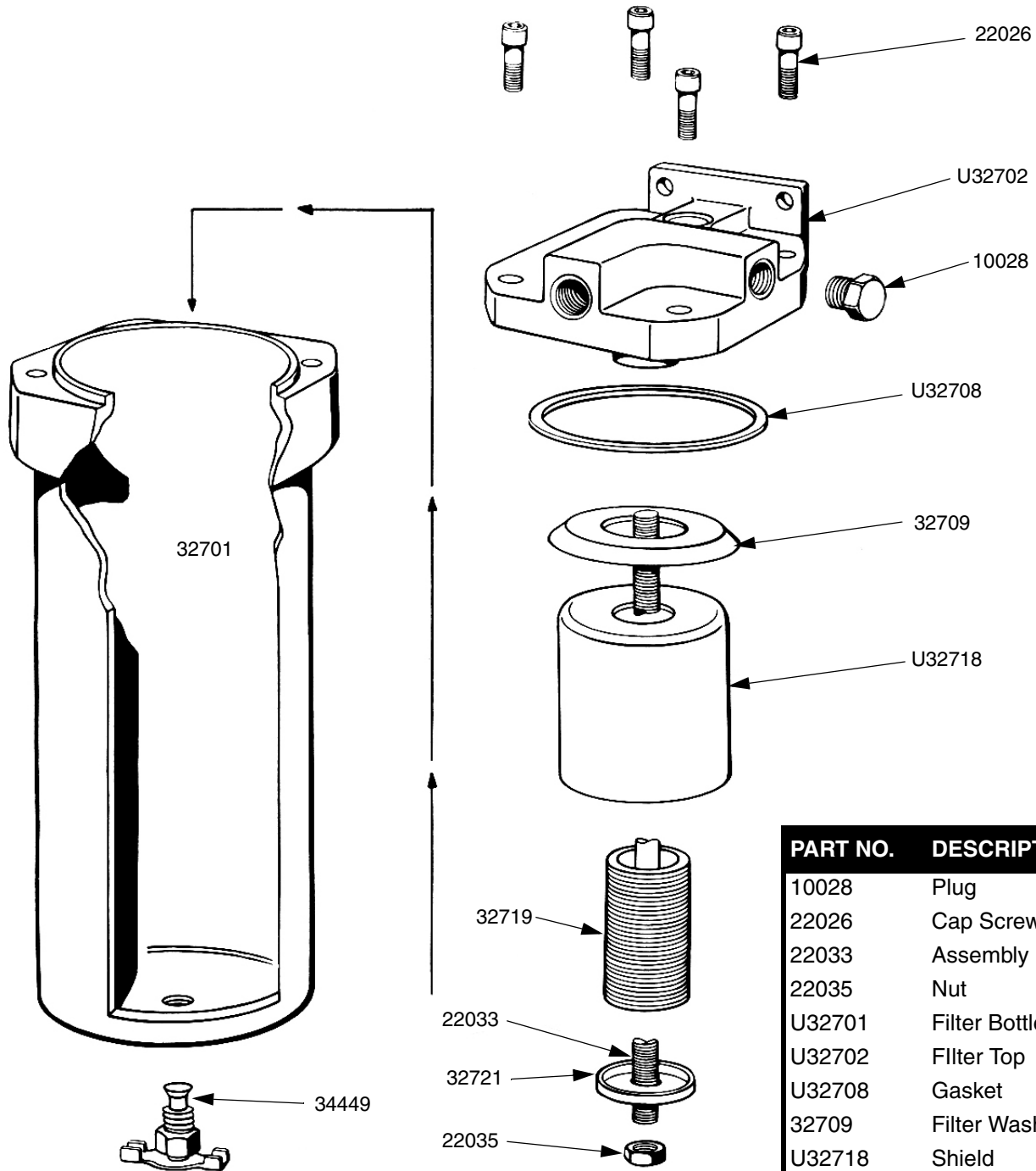
PART NO.	DESCRIPTION
10022	Adjusting Screw
10023	Screw
10003	Bonnet
10018	Washer Spring
10016	Pressure Spring
10019	Vibration Dampener
10015	Diaphragm
10008	Valve Body
10005	Valve Seat
10010	Valve
10006	Valve Spring
10002	Body
10013	Brass Screen



F88 AIR FILTER

PART NO. 8130

Maximum Working Pressure: 160 psi (1.1 MPa, 11.0 bar)



PART NO.	DESCRIPTION
10028	Plug
22026	Cap Screw
22033	Assembly Rod
22035	Nut
U32701	Filter Bottle
U32702	Filter Top
U32708	Gasket
32709	Filter Washer
U32718	Shield
U32719	Filter Element
32721	Retainer
34449	Drain Cock

1 Year Limited Warranty

Sharpe warrants this product to the original user against defective material or workmanship for a period of 1 year from the date of purchase.

Sharpe reserves the right to determine whether the part or parts failed because of defective material, workmanship, or other causes. Failures caused by accident, alteration, or misuse are not covered by this warranty.

Sharpe, at its discretion, will repair or replace products covered under this warranty free of charge. Repairs or replacements of products covered under this warranty are warranted for the remainder of the original warranty period.

Sharpe or its authorized service representatives must perform all warranty repairs. Any repair to the product by unauthorized service representatives voids this warranty. The rights under this warranty are limited to the original user and may not be transferred to subsequent owners.

This warranty is in lieu of all other warranties, expressed or implied, including warranties of merchantability and fitness for a particular purpose. Some states do not allow the exclusion or limitations of incidental or consequential damages, so the above limitations may not apply to you.

Sharpe Information

TO PLACE AN ORDER, contact your SHARPE distributor or call 1-800-742-7731 or visit our website at www.sharpe1.com.

Product Registration

Thank you for the purchase of your Sharpe® product. We greatly appreciate your business.

Important reasons to register your product:

- Registration enables Sharpe to notify you if there is a problem with your product.
- Improved Product Development - Your input helps us continue to design products that meet your needs.

For the most up-to-date information and to register your product, please go to www.sharpe1.com and click on "Register Product."

All written and visual data contained in this document reflects the latest product information available at the time of publication. Graco reserves the right to make changes at any time without notice.

Original instructions. This manual contains English. MM 310603

SHARPE MANUFACTURING • P.O. BOX 1441, MINNEAPOLIS, MN 55440-1441
1-800-742-7731, www.sharpe1.com

Copyright 2003, Graco Inc. is registered to ISO 9001
Revised 02/2011