

**C.A. Technologies**

**Bandit 2 Quart**

**51-600(A) & 51-602(A)**

2 QUART PRESSURE CUP PART SHEET  
PRODUCT INFORMATION

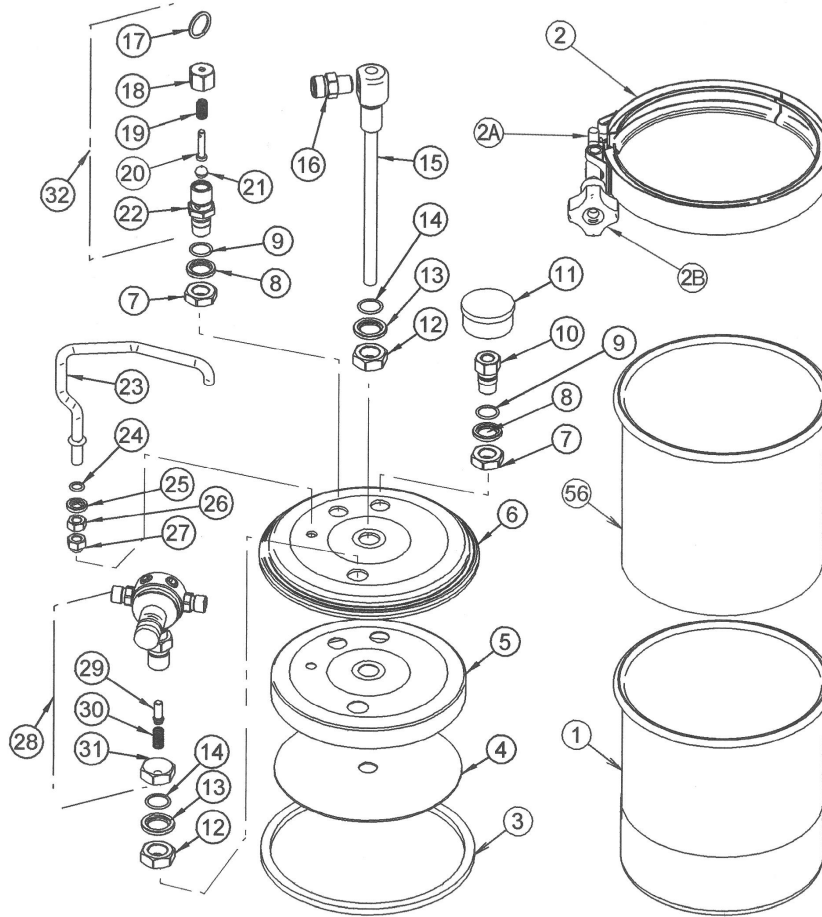
DISTRIBUTED BY:  
Pro Wood Finishes  
14622 Southlawn Lane  
Rockville MD 20850  
Ph: (301) 424-3033



**51-600 SINGLE REGULATED**  
**51-602 DOUBLE REGULATED**  
**51-600A AGITATED (1 REG)**  
**51-602A AGITATED (2 REG)**

The Bandit 2 quart pressure cup features a stainless steel clamp band which provides 360 degree clamp pressure between the lid and canister.

# 51-600 Bandit Pressure Cup Assembly

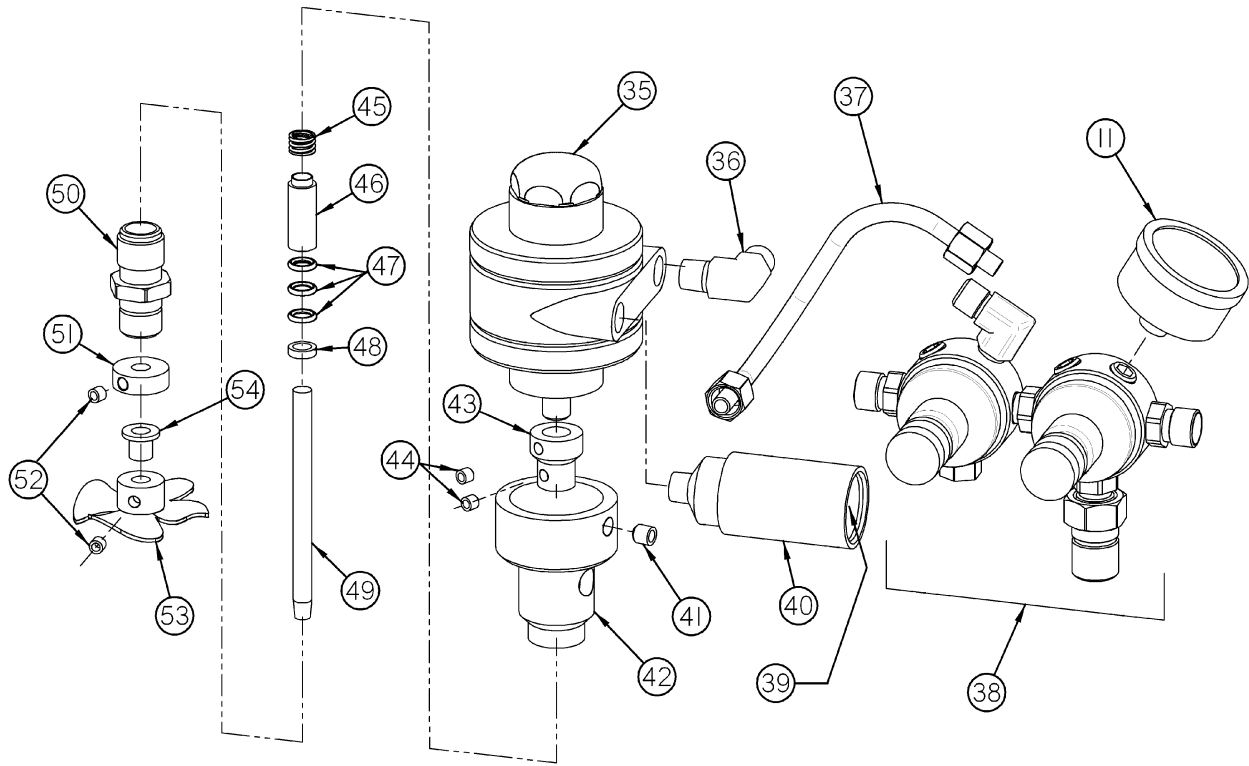


ITEM NO.	PART NO.	DESCRIPTION	ITEM NO.	PART NO.	DESCRIPTION
1	51-634	Cannister	17	51-623	Pull Ring
2	51-611	Band Clamp	18	51-638	Relief Valve Cap
2A	51-645	T-Bolt for Band	19	51-618	Relief Valve Spring
2B	51-646	Knob for Band - Cast Iron	20	51-631	Relief Valve Stem
3	51-620-5	Gasket (5 Pack)	21	98-0132	Ball
4	51-633	Splash Guard	22	51-617	Pressure Relief Body
	51-657	Splash Guard (Agitated)	23	51-642	Handle
5	51-613	Inner Lid		51-667	Handle (Agitated)
6	51-635E	Outer Lid	24	98-8011	O-Ring
7	98-0119	9/16-18 Locknut	25	51-629	Seal Plate
8	51-632	Seal Plate	26	98-0118	5/16-18 Locknut
9	98-8015	O-Ring	27	98-0124	Acorn Nut
10	51-624	Pressure Gage Fitting	28	51-616	Regulator Assembly
11	52-53 (standard)	Pressure Gage (0 to 15 PSI)	Not Show n	52-222-Reversed	Optional 2nd Regulator**
	52-52 (optional)	Pressure Gage (0 to 60 PSI)*	29	51-636	Check Poppet
12	98-0120	5/8-18 Locknut	30	51-619	Spring
13	51-628	Seal Plate	31	51-643	Retaining Cap
14	98-8016	O-Ring	32	51-630	Relief Valve Assembly
15	51-625	Fluid Outlet Assembly	33	51-644	Spacer (15 PSI Regulator)
16	53-555	Fluid Outlet Nipple	56	51-637-12	Plastic Liner (12 Pack)

\*To convert unit to 0-50 PSI, remove item 33 and replace pressure gage with P/N 52-52

\*\*Second regulator to convert unit to double regulated (51-222)

# 51-670 Bandit Agitator Sub-Assembly



## ADDITIONAL PARTS FOR AGITATED VERSION 51-650A ONLY (51-670 AGITATOR SUB-ASSEMBLY)

ITEM NO.	PART NO.	DESCRIPTION	ITEM NO.	PART NO.	DESCRIPTION
34	51-658	Splash Guard Retainer	48	51-654	Lower Shaft Guide
35	51-677	Air Motor	49	51-651	Agitator Shaft
36	98-0182	Elbow Fitting	50	51-653	Seal Housing
37	51-663	Hose Assembly	51	51-659	Slinger Ring
38	51-669	Dual Regulator Assembly	52	98-0179	Set Screw
40	51-271	Muffler Assembly	53	51-648	Impeller
41	98-0178	Set Screw	54	51-649	Impeller Sleeve
42	51-676	Motor Base	55	51-671	Splash Guard Spacer
43	51-678	Shaft Coupling	Not Show n	10-5	Regulator Repair Kit
44	98-0178	Set Screw	Not Show n	10-120	Air Motor Rebuild Kit
45	51-656	Seal Spring	Not Show n	10-121	Shaft Seal & Bearing Kit
46	51-655	Upper Shaft Guide	Note: Air motor performance is not guaranteed after field repair. Factor repair of air motor is recommended for best results.		
47	98-8010	O-Ring			

\*To convert unit to 0-50 PSI, remove item 33 and replace pressure gage with P/N 52-52

\*\*Second regulator to convert unit to double regulated (51-222)

## **WARNING! MAX WORKING PRESSURE 50 PSI**

### **REMOVE THE LID**

**COMPLETELY RELIEVE PRESSURE IN CANISTER BEFORE ATTEMPTING TO REMOVE THE LID!**

1. Loosen the clamp knob completely until it stops (by holding the clamp ends together with one hand the knob can be loosened to the stop rapidly).
2. Disengage the T-bolt from one end of the clamp, spread the clamp only as much as necessary to clear the lid and lower clamp down around the canister.

### **INSTALLING LID AND CLAMP**

1. Place lid assembly on canister; it is self centering with the canister.
2. With the T-bolt disengaged, spread the clamp and place into position from above the lid.
3. Engage the T-bolt into the end of the clamp and tighten the knob. (By drawing the clamp ends together with one hand, the knob can be advanced rapidly before final tightening).

## **Anti-Tip Stand 51-672**



## **Rigid Liners 51-637-12**

