

DISTRIBUTED BY:
Pro Wood Finishes
14622 Southlawn Lane
Rockville MD 20850
Ph: (301) 424-3033

FESTOOL

Instruction manual

Page 3

IMPORTANT: Read all instructions before using.

Guide d'utilisation

Page 12

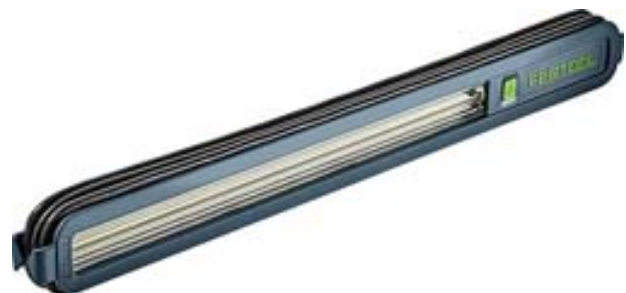
IMPORTANT: Lire toutes les instructions avant de démarrer les travaux.

Manual de instrucciones

Página 22

IMPORTANTE: Lea todas las instrucciones antes de usar.

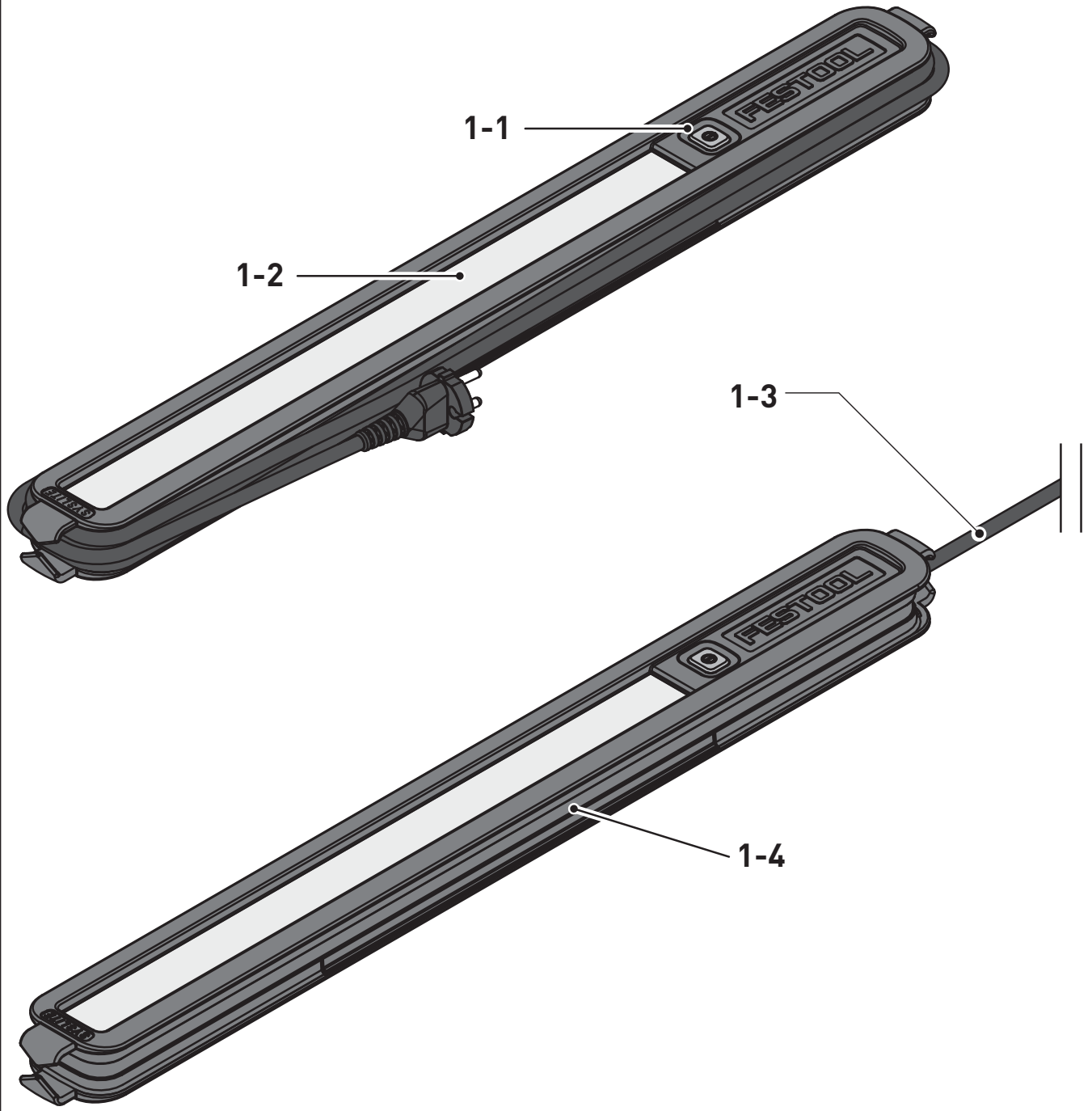
S Y S L I T E
STL 450



709057_001



1








Original operating manual

1	About this manual.....	3	6	Functional description.....	7
2	Symbols.....	4	7	Commissioning.....	7
3	IMPORTANT SAFETY INSTRUCTIONS.....	5	8	Setup.....	7
4	Intended use.....	6	9	Service and maintenance.....	11
5	Technical data.....	6	10	Environment.....	11
			11	Accessories.....	11







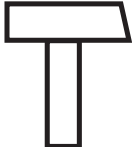
1 About this manual

Save these instructions

It is important for you to read and understand this manual. The information it contains relates to protecting **your safety** and **preventing problems**. The symbols below are used to help you recognize this information.

	DANGER	Description of imminent hazard and failure to avoid hazard will result in death.
	WARNING	Description of hazard and possible resulting injures or death.
	CAUTION	Description of hazard and possible resulting injuries.
	NOTICE	Statement including nature of hazard and possible result.
	HINT	Indicates information, notes, or tips for improving your success using the tool.

2 Symbols

Symbol	Significance	Symbol	Significance
	Warning of general danger		Do not dispose of as domestic waste.
	Risk of electric shock	V	volts
	Read operating instructions and safety notices!	Hz	hertz
	CAUTION! Do not look directly into the light beam!	K	kelvins
	The surface temperature should not exceed 194 °F (90 °C) on horizontal and 302 °F (150 °C) on vertical outer surfaces.	W	watts
	Device qualifies for "rough use" according to DIN EN 60598.	lm	lumens
		h	hours
		°C	degree centigrade
		ft	feet
		lb.	pound
		°F	degree Fahrenheit
		m	meter
		kg	kilograms

3 IMPORTANT SAFETY INSTRUCTIONS

This grazing light has a polarized plug (one blade is wider than the other) as a feature to reduce the risk of electric shock. This plug will fit in a polarized outlet only one way. If the plug does not fit fully in the outlet, reverse the plug. If it still does not fit, contact a qualified electrician. Never use with an extension cord unless plug can be fully inserted. Do not alter the plug.



WARNING! Read all safety warnings, instructions, illustrations and specifications provided with this tool. Failure to follow all instructions listed below may result in electric shock, fire and/or serious injury.

Save all warnings and instructions for future reference.

- **Handle the device with care.** The device may generate heat that increases the risk of fire and explosions.
- **Never use the device in potentially explosive environments.**
- **Do not cover the device when switched on.** The device heats up during operation and can burn the surface of the skin.
- **Do not connect the device to a power supply when it is wet.** If the device falls into water, it must be dried before being connected to a power supply.
- **Have your device repaired by qualified specialist staff and always use original spare parts**The light source fitted in this device must only be replaced by the manufacturer or a customer service workshop in order to ensure that your device operates reliably.
- **Check the mains plug and the power cable regularly in order to prevent a hazard.** Disconnect any damaged power cables from the power supply immediately and have them replaced by an authorised service workshop.
- **When placing the device on a tripod, ensure that it is stable.** In the event of unstable footing or insecure mounting, the device may fall and



-Warning of harmful light radiation. Do not look into the light beam for long periods. Do not direct the

light beam towards other people or animals. Optical radiation can damage the eyes.

- **Do not use the device for illuminating the road.** The device is not approved for illuminating the road.

cause physical injury, electric shock or material damage.

- **Place the tripod on a dry, level and stable surface.** If the legs of the tripod are not folded out to the limit stop or if the tripod has unstable footing, this can cause physical injury, electric shock or material damage.
- Discontinue use if device is damaged.
- Device is no toy! Keep away from children.

4 Intended use

The grazing light is designed for inspecting surfaces when working on rough surface areas. Ensure the electrical safety of all electricity sources.

The device is **not** suitable for illuminating rooms in residential buildings.



The user is liable for improper or non-intended use.

5 Technical data

Grazing light	STL 450
Nominal voltage	120 V
Frequency	60 Hz
Lighting device	64 x 0,25 W LED 5,000 K
Maximum output	18 W
LED luminous flux	1,200 lm
Colour temperature	5,000 K
Colour rendering index, Ra	>80
Service life (L70)	>10,000 h
Permitted operating temperature range	-50 °F (-10 °C) to +113 °F (+45 °C)
Maximum height (upper edge of grazing light range) with adapter and tripod	8-13/64 ft (2.50 m)
Max. reach	8-13/64 ft (2.50 m)
Weight	3.3 lb. (1.5 kg)
Protection class	IP 55

6 Functional description

The pictures for the functional description are on a fold-out page at the beginning of the instruction manual. While reading the manual you can fold out the page for comparison and quick reference.

[1-1] On/Off switch

[1-2] Luminous area

[1-3] Power cable

[1-4] Cable holder

7 Commissioning



WARNING

Unauthorised voltage or frequency!

Risk of accidents

- ▶ Observe the specifications on the rating plate.
- ▶ Observe country-specific regulations.



WARNING

Electric shock caused by penetrating moisture.

Physical injury and damage to the mains plug.

- ▶ Do not insert the mains plug in the socket if the surroundings are damp.

7.1 On/Off switch [1-1]

Switching on

- ▶ Unwind the power cable from the cable holder [1-4].
- ▶ Insert mains plug into socket.
- ▶ Press the ON/OFF switch [1-1].

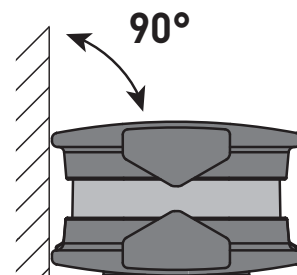
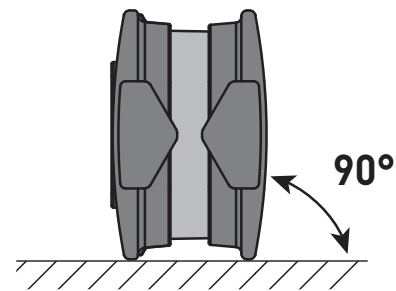
Switching off

- ▶ Press the ON/OFF switch [1-1] again.
- ▶ Unplug the mains plug.
- ▶ Wind the power cable onto the cable holder [1-4].

7.2 Temperature monitoring

When the permissible operating temperature range is not reached/is exceeded, the grazing light switches itself off.

8 Setup



2

The grazing light has a range of 8-13/64 ft. When this range is exceeded, uneven surfaces may not be detected.

To ensure the surface is perfectly illuminated, position the grazing light at a 90° angle to the surface **[2]**.

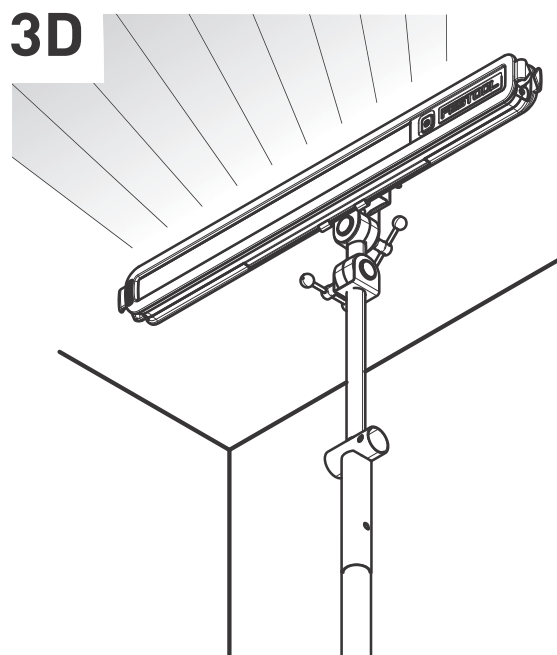
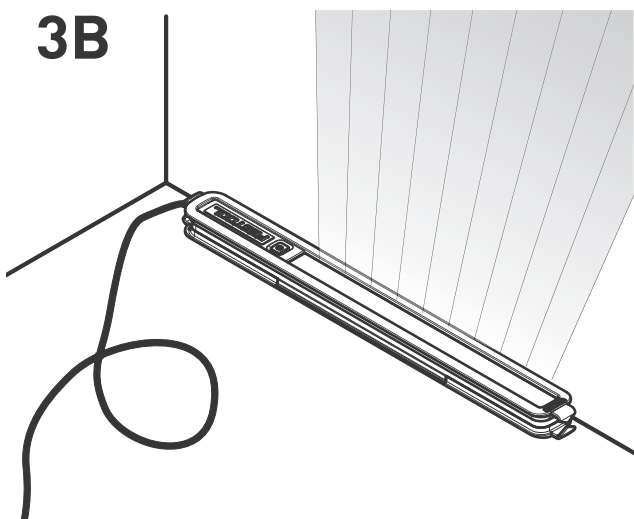
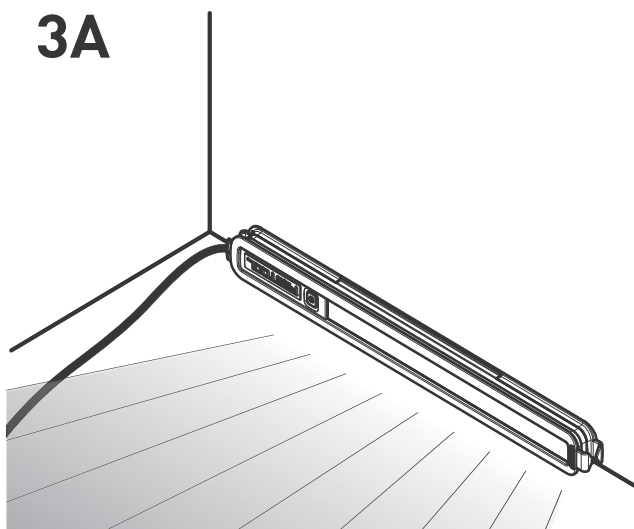
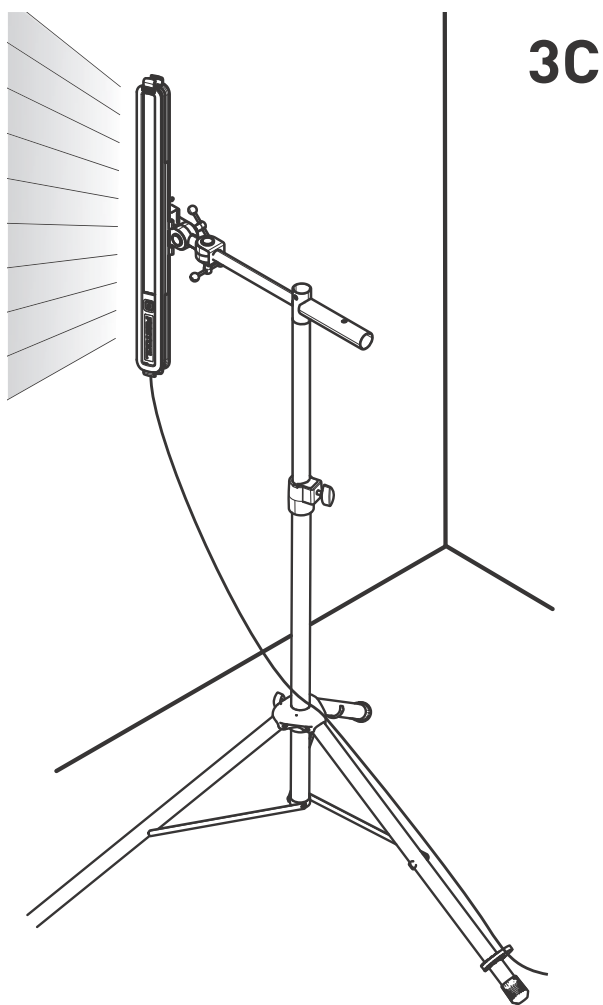
The grazing light can illuminate various target surfaces:

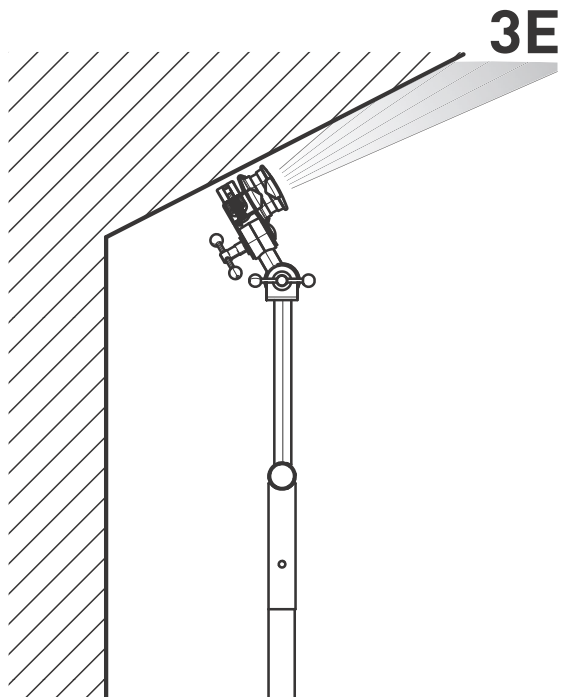
[3 A] Floor -> 8.1 section.

[3 B]+[3 C] Wall -> 8.1 and 8.2 sections.

[3 D] Ceiling -> 8.2 section.

[3 E] Inclined surfaces -> 8.2 section.





8.1 Setting device up for use at floor level

The grazing light can be set up in two different positions [3 A]+[3 B].

8.2 Setting device up for use above floor level



Only use the device together with the Festool tripod ST DUO 200 and the Festool adapter AD-ST DUO 200 (some items not included).

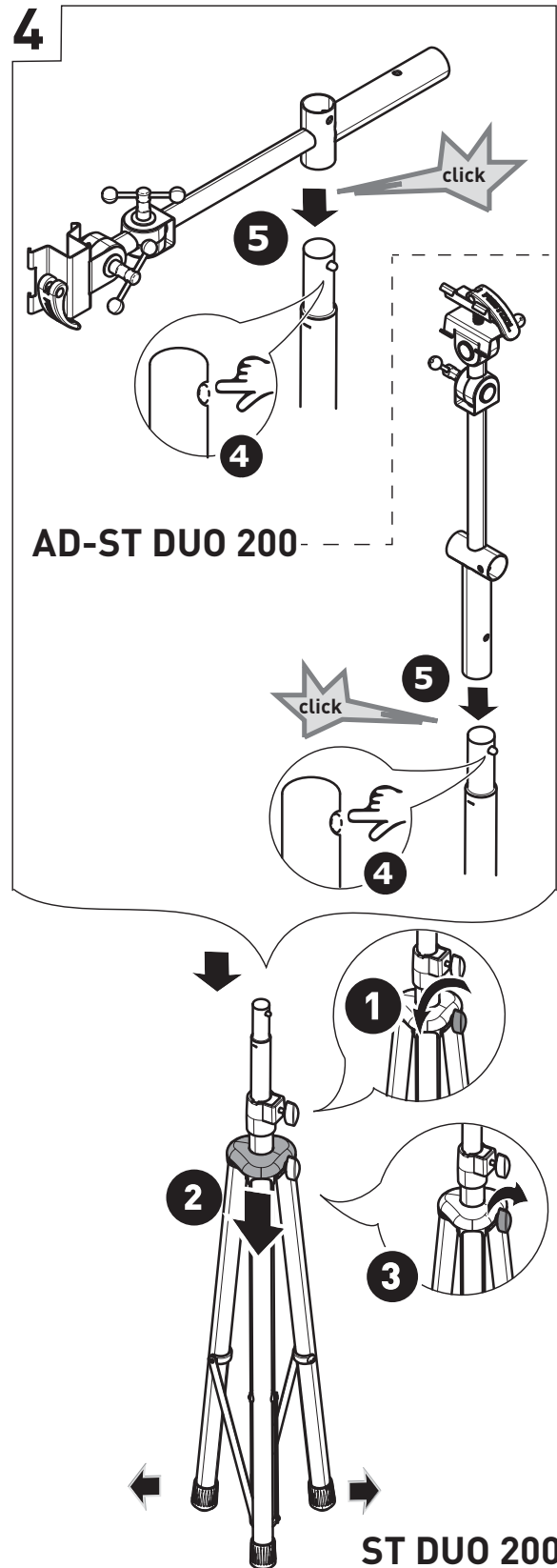
Please follow the instructions contained in the operating manual for the tripod and the adapter.

Place the tripod on a dry, level and stable surface. Fold out the tripod legs to the limit stop.

Connecting the tripod and adapter [4]

- ▶ Open the tripod to the limit stop.
- ▶ Place the adapter in the required position on the tripod up to the limit stop.

- ▶ Turn the adapter until it clicks into place.

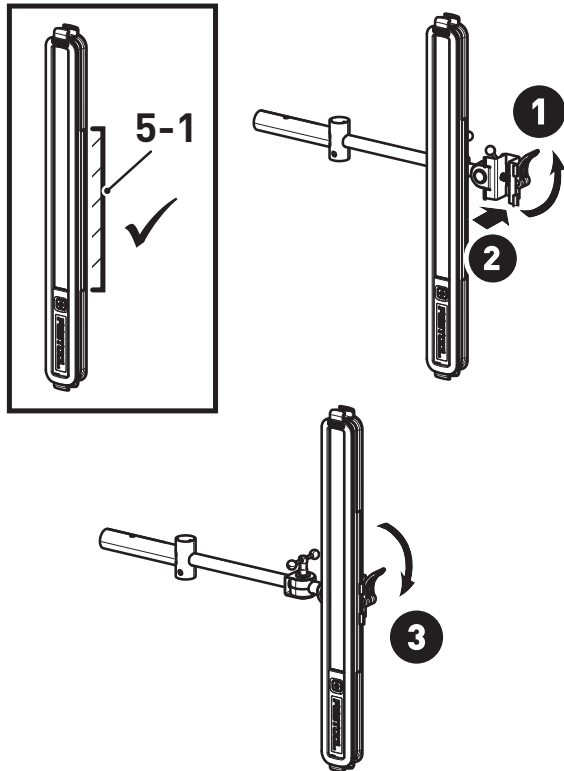


Connecting the adapter and grazing light [5]

Only fit the grazing light clip to the marked area on the grazing light [5-1].

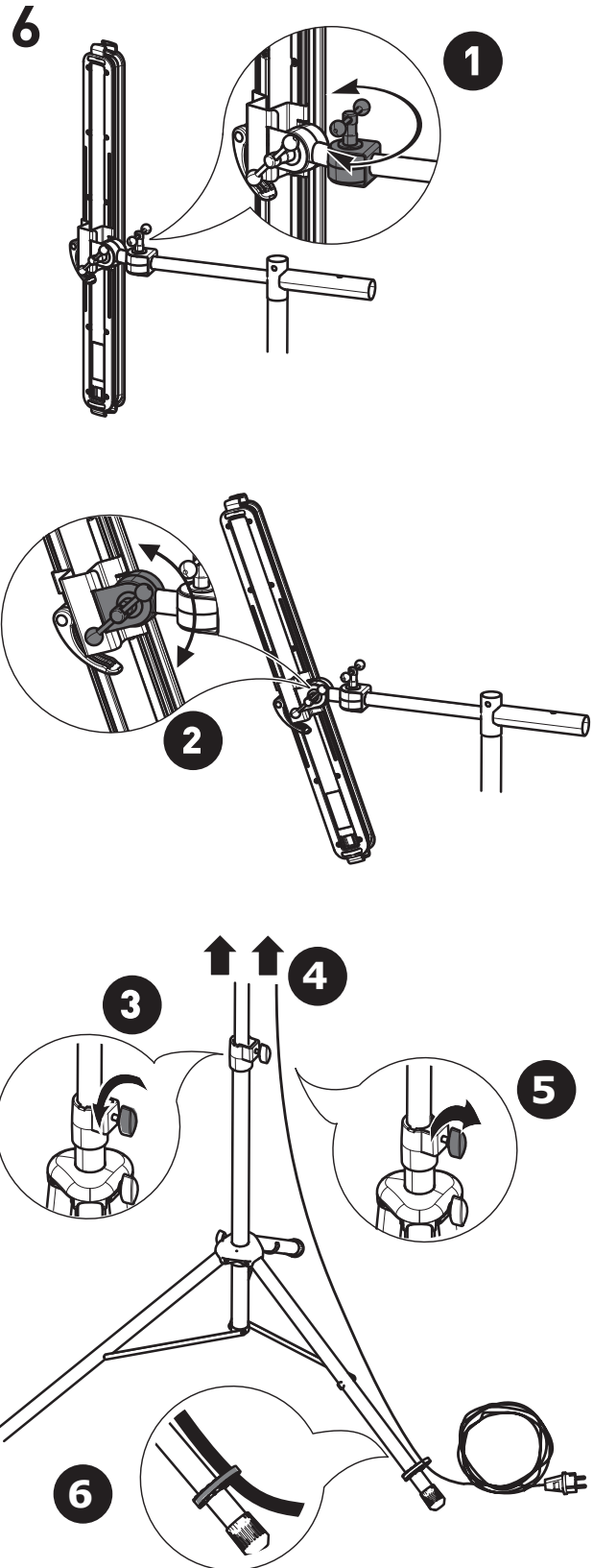
- ▶ Insert the back of the grazing light into the grazing light clip.

5



Positioning the grazing light [6]

- ▶ Use the two rotary hinges to align the grazing light in the direction of the target surface.
- ▶ Adjust the height of the tripod.



9 Service and maintenance



WARNING

Risk of injury, electric shock

- ▶ Always pull the mains plug from the socket before performing any servicing and maintenance work!
- ▶ All maintenance and repair work which requires the housing to be opened should always be carried out by an authorised service workshop.



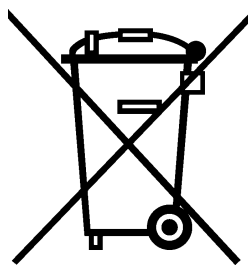
Customer service and repair only through manufacturer or service workshops: Please find the nearest address at: www.festoolusa.com/service



Use only original Festool spare parts! Order No. at: www.festoolusa.com/service

- Always clean the plastic cover on the grazing light using a soft, dry cloth and a mild cleaning agent to prevent any damage. Do not use solvents.

10 Environment



Do not dispose of the device in household waste! Recycle devices, accessories and packaging. Observe applicable national regulations.

11 Accessories

Use only original Festool accessories and Festool consumable material intended for this machine. These components are designed specifically for this machine. Using accessories and consumable material from other suppliers will most likely affect the quality of your results and limit warranty claims. Machine wear or your own personal workload may increase depending on the application. Protect yourself and your machine, and preserve your warranty claims by always using original Festool accessories and Festool consumable material!

The order numbers of the accessories and tools can be found in the Festool catalogue or on the Internet under "www.festoolusa.com".