

DISTRIBUTED BY:
Pro Wood Finishes
14622 Southlawn Lane
Rockville MD 20850
Ph: (301) 424-3033



CONVENTIONAL AIR CAP AND FLUID NOZZLE CHART

MODEL NO.	PRESS / SIPHON	AIR CAP	FLUID TIP RANGE	FAN CONTROL	SCFM	AIR CAP RING	AVAILABLE FLUID NOZZLES	NEEDLES / marking on needle	
T100C	Siphon	21-2166	0.6 - 1.8	60-1505	5	included	17-4PH STAINLESS		
		21-2266	0.6 - 1.8		12		300 STAINLESS		
		21-2266T	0.6 - 1.8		12		31-0606	0.6mm (.022")	40-1107 (107)
		21-2366	0.6 - 1.8		12		31-0607	0.7mm (.028")	
		21-2466	0.6 - 1.8		15		31-0610	1.0mm (.040")	40-1110 (110)
		21-2467	2.2		15		31-0612	1.2mm (.046")	
		21-2268	2.8		15		31-0613	1.3mm (.052")	
	Pressure	21-2163	0.6 - 1.8		8		31-0615	1.5mm (.059")	40-1115 (115)
		21-2263	0.6 - 1.8		14		31-0618	1.8mm (.070")	
		21-2266-3	0.6 - 1.8		16.2		31-0622	2.2mm (.086")	40-1122 (122)
		21-2266-3T	0.6 - 1.8		16.2		31-0628	2.8mm (.110")	40-1128 (128)
		21-2167	2.2		14.5		CARBIDE		CARBIDE
		21-2267	2.2		15		31-0618V	1.8mm (.070")	40-6201
		21-2168	2.8		14		31-0622V	2.2mm (.086")	40-6201
	Internal Mix	21-2766B	1.0 - 1.8		8		31-0628V	2.8mm (.110")	40-6201
		21-200**	1.5 - 1.8		5.2				
		21-2201**	2.2		5.2				

Actual fluid nozzle and air cap combinations are determined by application (see application chart page 4)

*Gun inlet pressures may vary as required by application

**200 Air cap requires P/N 21-1583 base & 21-1584 ring

Operation and Maintenance Instructions for **T100C** Spray Guns

Operation

1. Connect air supply hose at handle of gun.
2. Connect a pressurized fluid supply or paint siphon cup to the gun fluid inlet.
3. Fluid flow can be controlled using the fluid control knob, this restricts flow by limiting needle travel. It is best to control fluid flow by proper selection of fluid orifice size and use the fluid control knob to “fine tune flow rate”.
4. Fan width can be adjusted using the fan control knob. Turning the knob clockwise narrows the fan.

Maintenance

IMPORTANT! Routine cleaning and maintenance is essential to insure proper gun operation.

Several states prohibit spraying solvent into the atmosphere and require the use of covered gun cleaner.

1. If a gun cleaner is being used, connect and clean the gun in the gun cleaner according to the manufactures instructions.
2. If a gun cleaner is not being used:
Remove air cap and clean separately using clean solvent.
For pressure setups, connect a pressurized solvent supply to the fluid inlet, trigger the gun allowing solvent to flow thru the gun until clean.
For siphon setups, first clean the siphon cup thoroughly then spray clean solvent thru the gun until clean.

NOTE: Gun head disassembly is not recommended for normal cleaning and maintenance.

Gun head disassembly and reassembly instructions:

Have repair kit # 10-112 available before gun disassembly.

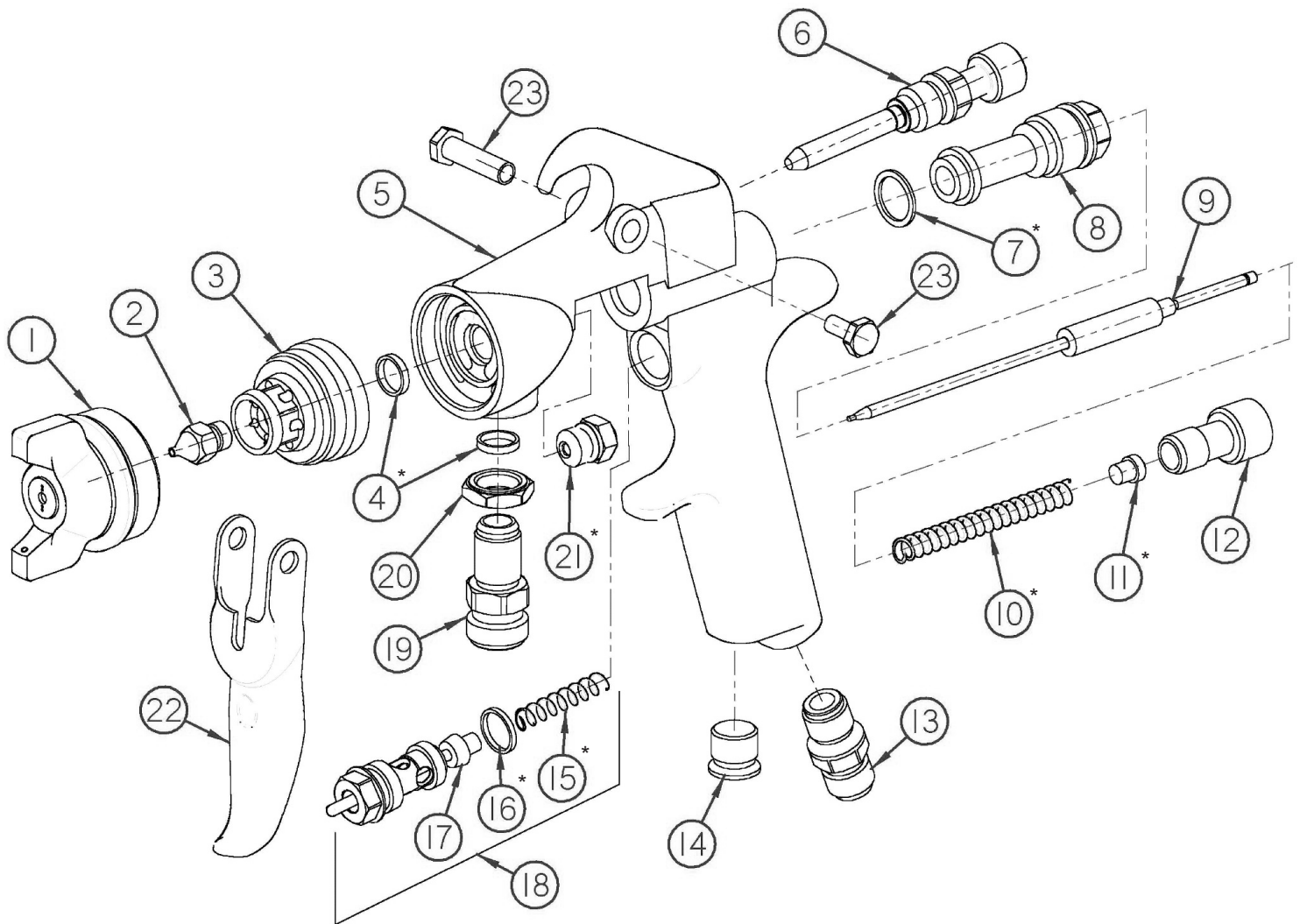
Gun head disassembly

To remove head insert (3):

1. Remove the air cap (1), fluid nozzle tip (2), head insert (3), and needle (9).
2. Remove the needle seal cartridge (21).
3. Loosen the locknut (20) and remove fluid inlet (19) using a 5/8” open-end wrench.

Gun head reassembly

1. Install the thread locknut (20) onto the fluid inlet (19) as far as possible.
2. Install needle seal (21)
3. Install seal ring (4), then tighten head insert (3) with 5/8” open-end wrench until snug. BEWARE - DO NOT OVER TIGHTEN.
4. Install seal (4), then tighten the fluid inlet (19) to approx. 25 ft.-lb. torque.
5. Tighten the locknut (20) to approx. 33 ft.-lb. torque.



ITEM NO.	PART NO.	DESCRIPTION	ITEM NO.	PART NO.	DESCRIPTION
1	See Air Cap Chart	Air Cap**	13	60-104	Air Inlet Fitting
2	See Air Cap Chart	Fluid Tip**	14	60-122	Plug
3	60-15C	Fluid Nozzle Body	15	61-1003	Air Valve Spring*
4	60-137	Seal*	16	60-125	Seal*
5	60-1106	Tomcat Gun Body Conventional	17	60-302	Air Valve Poppet
6	See Air Cap Chart	Fan Control Assembly**	18	60-1520	Air Valve Assembly
7	60-119	Seal*	19	60-132	Fluid Inlet
8	60-201	Rear Bushing	20	60-128	Locknut
9	See Air Cap Chart	Fluid Needle**	21	61-1026	Needle Seal*
10	60-204	Needle Return Spring*	22	60-2101	Trigger
11	60-205	Spring Seat*	23	60-1033	Trigger Pivot Set
12	60-202	Fluid Control Knob			

**See air cap selection chart on page 1

*Indicates part included in repair kit # 10-112

FLUID NOZZLE / AIR CAP SELECTION CHARTS

TOMCAT Series 100C - Pressure / Siphon Feed Guns

T100C CONVENTIONAL SPRAY GUN

MATERIAL TYPE	FLUID ORIFICE x AIR CAP	MAXIMUM PATTERN WIDTH	PRESS. / SIPHON
Very Thin less than 16 sec. Zahn #2 inks , dyes, solvents, stains	0.6, 0.7 mm x 2163	8	P
	0.6, 0.7 mm x 2166	9	S
	0.6, 0.7 mm x 2266	12	S
Thin 16 to 20 sec. Zahn #2 lacquers, enamels, primers, sealers	0.6, 0.7, 1.0 mm x 2163	8	P
	0.6, 0.7, 1.0 mm x 2366	14	S
	0.6, 0.7, 1.0 mm x 2466	13	S
Medium 21 to 30 sec. Zahn #2 automotive base coat enamels, primers epoxies, urethanes automotive clear coat	1.2, 1.3, 1.5, 1.8 mm x 2263	14	P
	1.2, 1.3, 1.5, 1.8 mm x 2266	10	S
	1.2, 1.3, 1.5, 1.8 mm x 2266-3	15	S
	1.2, 1.3, 1.5, 1.8 mm x 2466	13	S
Heavy over 30 sec. Zahn #2 heavy body primers high solid enamels high solid automotive coatings adhesives	1.5, 1.8mm x 2466	13	S
	2.2 mm x 2167	12	P
	2.2 mm x 2267	15	P
	2.8 mm x 2168	12	P