

## Mounting plates - The Slide-on mounting plate system - 2-way adjustment

### Bases - Sistema de bases para posicionamiento con fin de carrera preestablecido - 2 regulaciones

Based on using full overlay hinges.

Utilizando bisagras para puertas externas

	<b>0mm</b> Side panel 3/4" Full overlay  panel lateral 3/4" cobertura total	<b>3mm</b> Side panel 5/8" Full overlay  panel lateral 5/8" cobertura total	<b>6mm</b> 1/2" overlay Partial overlay  cobertura 1/2" cobertura parcial	<b>9mm</b> Side panel 3/4" Half overlay  panel lateral 3/4" cobertura puertas dobles	<b>12mm</b> Side panel 5/8" Half overlay  panel lateral 5/8" cobertura puertas dobles	<b>18mm</b> Inset  puerta interna	Packaging Embalaje

Steel Acero  	<b>37x32 Screw-in.</b> <b>37x32 de atornillar</b>						
		B2V3H09/15	B2V3H39/15	B2V3H69/15	B2V3H99/15	B2V3BC9/15 Die-cast zamak	B2V3BV9/15 Die-cast zamak

Steel Acero  	<b>37x32 Screw-in Euro screw pre-mounted.</b> <b>37x32 de atornillar. Tornillo Euro premontado.</b>						
		B2VGH09/17	B2VGH39/17	B2VGH69/17	B2VGH99/17	B2VGC9/17 Die-cast zamak	
						B2VGBV9/17 Die-cast zamak	300

Die-cast zamak  	<b>37x32 Screw-in. Height adjustment by cam.</b> <b>37x32 de atornillar. Regulación vertical con excéntrico.</b>						
		B2R3E09/15	B2R3E39/15				
			B2R3E69/15	B2R3E99/15			300

Die-cast zamak  	<b>37x32 Screw-in Euro screw pre-mounted. Height adjustment by cam.</b> <b>37x32 de atornillar. Tornillo Euro premontado. Regulación vertical con excéntrico.</b>						
		B2RGE09/17	B2RGE39/17				
			B2RGE69/17	B2RGE99/17			300


**The slide-on mounting plate system for special angles - 2-way adjustment**  
**Sistema de bases para posicionamiento con fin de carrera preestablecido para ángulos especiales - 2 regulaciones**

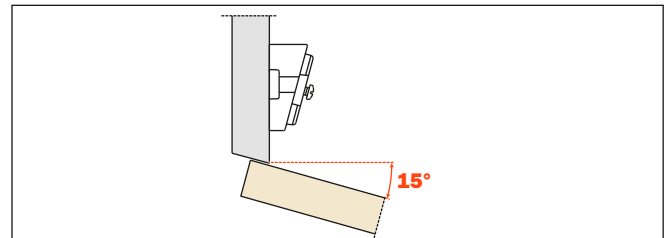
		Packaging Embalaje
--	--	-----------------------


An almost infinite variety of angled door applications is possible using variable-angle mounting plates in conjunction with one of Salice's range of angled-arm hinges.

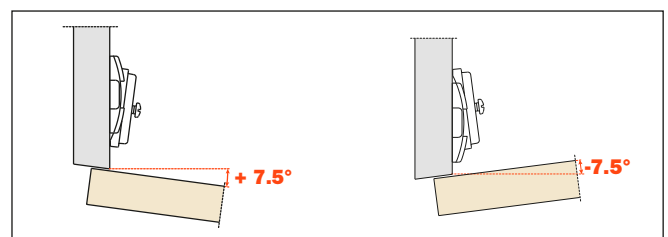
Las bases de regulación variable, oportunadamente combinadas a los diversos codos de las bisagras, ofrecen innumerables soluciones de montajes angulares de las puertas.




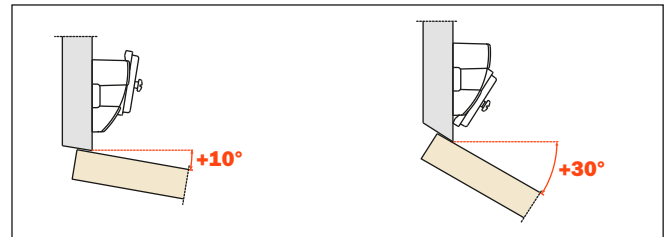
<b>Screw-in.</b> <b>De atornillar.</b>		
	B2V3BW9/15	600



<b>Screw-in.</b> <b>De atornillar.</b>		
	B2V3BW9R/15	600



<b>Screw-in</b> <b>De atornillar.</b>		
	B2V3BW9S/15	300



**Variable-angle adapters**

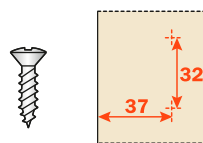
Die-cast adapters for all mounting plates.

**Adaptadores inclinados**

Adaptadores de zamac combinables con todas la bases.

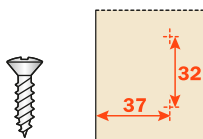
**SAV354X9R**

Die-cast adapter +5°. Fixing: wood screw  $\varnothing 6 \times \frac{3}{4}$ ".  
 Adaptadores de zamac +5°. Fijación: tornillo para madera  $\varnothing 6 \times \frac{3}{4}$ ".



**SAV354X9S**

Die-cast adapter +10°. Fixing: wood screw  $\varnothing 6 \times 1$ ".  
 Adaptadores de zamac +10°. Fijación: tornillo para madera  $\varnothing 6 \times 1$ ".



\* Can be used with straight arm plates (BAP) or wing style plates (BAV, BAR).  
 \* puede ser utilizado con bases longitudinales (BAP) o bases en cruz (BAV, BAR).

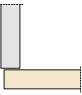
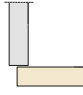
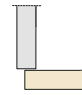
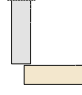


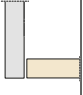
\*\* When stacked, use wood screw  $\varnothing 6 \times 1 - \frac{1}{4}$ ".  
 \*\*para la fijación utilizar tornillo para madera  $\varnothing 6 \times 1 - \frac{1}{4}$ ".

\*\*\* Stacking the adapters will allow the achievement of a 15° angle.  
 \*\*\*Fijando los adaptadores se obtiene un ángulo de 15°.

**Mounting plates - snap on - 2-way adjustment - 1 cam**  
**Bases automáticas Domi - 2 regulaciones - 1 excéntrico**

**Based on using full overlay hinges**


**Utilizando bisagras para puertas externas**

	<b>0mm</b> Side panel 3/4" Full overlay  panel lateral 3/4" cobertura total	<b>2mm</b> Side panel 5/8" 11/16" overlay  panel lateral 5/8" cobertura 11/16"	<b>3mm</b> Side panel 5/8" Full overlay  panel lateral 5/8" cobertura total	<b>6mm</b> 1/2" overlay Partial overlay  cobertura 1/2" cobertura parcial	<b>9mm</b> Side panel 3/4" Half overlay  panel lateral 3/4" cobertura puertas dobles	<b>12mm</b> Side panel 5/8" Half overlay  panel lateral 5/8" cobertura puertas dobles	<b>18mm</b> Inset  puerta interna	Packaging Embalaje
								

Steel  
Acero




**37x32 Screw-in**  
**37x32 de atornillar.**

	Steel Acero BAV3L09F  Die cast Zamak BAV3E09F		Steel Acero BAV3L39F  Die cast Zamak BAV3E39F	Steel Acero BAV3L69F  Die cast Zamak BAV3E69F		Die cast Zamak BAV3E99F	Die cast Zamak BAV3EC9F	Die cast Zamak BAV3EV9F	300
---	---	--	---	---	--	-------------------------------	-------------------------------	-------------------------------	-----

Steel  
Acero




**37x32 Screw-in. Euro screw pre-mounted.**  
**37x32 de atornillar. Tornillo Euro premontado.**

	Steel Acero BAVGL09F/16  Die cast Zamak BAVGE09F/16		Steel Acero BAVGL39F/16  Die cast Zamak BAVGE39F/16	Steel Acero BAVGL69F/16  Die cast Zamak BAVGE69F/16	Die cast Zamak BAVGE99F/16	Die cast Zamak BAVGE99F/16	Die cast Zamak BAVGE99F/16	Die cast Zamak BAVGE99F/16	300
---	---	--	---	---	----------------------------------	----------------------------------	----------------------------------	----------------------------------	-----

Steel  
Acero



**37x32 Screw-in. Expansion dowels ø 5mm**  
**37x32 de atornillar. Tacos a expansión ø 5 mm.**


	BAV4L09F/16		BAV4L39F/16						300
---	-------------	--	-------------	--	--	--	--	--	-----

**New steel mounting plates**  
**Nueva bases en acero**

Steel  
Acero




**37x32 Screw-in**  
**37x32 de atornillar.**

	BAV3M09F		BAV3M39F						300
---	----------	--	----------	--	--	--	--	--	-----

Steel  
Acero




**37x32 Screw-in. Euro screw pre-mounted.**  
**37x32 de atornillar. Tornillo Euro premontado.**

	BAVGM09F/16	BAVGM29F/16	BAVGM39F/16						300
---	-------------	-------------	-------------	--	--	--	--	--	-----

Steel  
Acero



**37x32 Screw-in. Expansion dowels ø 5mm**  
**37x32 de atornillar. Tacos a expansión ø 5 mm.**

	BAV4M09F/16		BAV4M39F/16						300
---	-------------	--	-------------	--	--	--	--	--	-----

**Mounting plates - snap on - 2-way adjustment - 2 cams**  
**Bases automáticas Domi - 2 regulaciones - 2 excéntricos**

**The Domi automatic mounting plate system - 2-way adjustment.**

**Domi® plate with AAR feature.**

The **Salice Domi** mounting plate has a unique **Automatic Adjustment Response** feature: a slight turn of the frontal adjustment cam or BAR3L69F vertical adjustment cam quickly positions the hinge - eliminating the need for manual positioning by loosening screws.

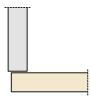
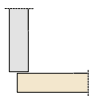
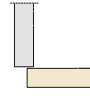
**Sistema Domi de bases automáticas - 2 regulaciones.**

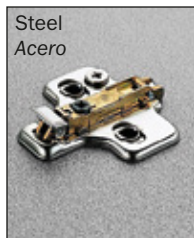
**Base Domi con característica RRA**

La base **Domi** de **Salice** tiene una característica única de **Respuesta de Regulación Automática**: una rápida rotación del excéntrico frontal o vertical posiciona automáticamente la bisagra - eliminando la necesidad de posicionamiento manual.


**Based on using full overlay hinges.**

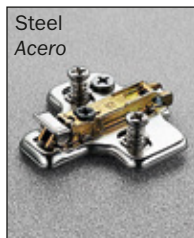
**Utilizando bisagras para puertas externas.**

	<p><b>0mm</b> Side panel 3/4". Full overlay</p> <p>panel lateral 3/4". cobertura total</p> 	<p><b>3mm</b> Side panel 5/8". Full overlay</p> <p>panel lateral 5/8". cobertura total</p> 	<p><b>6mm</b> 1/2" overlay Partial overlay</p> <p>cobertura 1/2". cobertura parcial</p> 	Packaging Embalaje
--	--	--	---	-----------------------

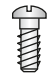


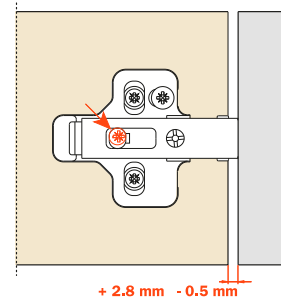
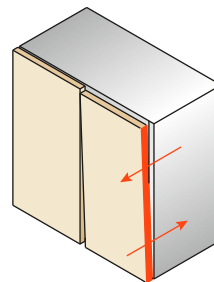
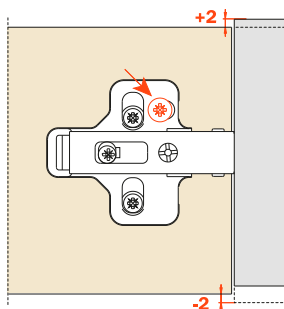
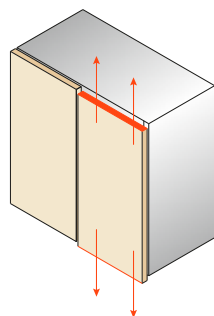
**37x32 Screw-in # 6 x 5/8" - # 2 Phillips.**  
**37x32 de atornillar # 6 x 5/8" - # 2 Phillips.**

	BAR3L09F	BAR3L39F	BAR3L69F	300
---	----------	----------	----------	-----



**37x32 Screw-in. Euro-screw pre-mounted.**  
**37x32 de atornillar. Tornillo Euro premontado.**

	BARGL09F/16	BARGL39F/16	BARGL69F/16	300
---	-------------	-------------	-------------	-----



**Height adjustment by cam**  
**Regulación vertical mediante excéntrico**

**+2 mm**  
**- 2 mm**

**Depth adjustment by cam**  
**Regulación frontal mediante excéntrico**

**+2.8 mm**  
**- 0.5 mm**

**Mounting plates - snap on - 2-way adjustment - 2 cams**  
**Bases automáticas Domi - 2 regulaciones - 2 excéntricos**

**The Domi automatic mounting plate system - 2-way adjustment**  
**Domi plate with AAR feature.**

The **Salice Domi** mounting plate has a unique **Automatic Adjustment Response** feature: a slight turn of the frontal adjustment cam or vertical adjustment cam quickly positions the hinge - eliminating the need for manual positioning by loosening screws.

**El sistema Domi de bases automáticas - 2 regulaciones**  
**Base Domi con característica RRA**

La base **Domi** de **Salice** tiene una característica única de **Respuesta de Regulación Automática**: una rápida rotación del excéntrico frontal o vertical posiciona automáticamente la bisagra - eliminando la necesidad de posicionamiento manual.

**Based on using full overlay hinges.**

**Utilizando bisagras para puertas externas**

	<b>0mm</b> Side panel 3/4" Full overlay  panel lateral 3/4" cobertura total	<b>2mm</b> Side panel 5/8" 11/16" overlay  panel lateral 5/8" cobertura 11/16"	<b>3mm</b> Side panel 5/8" Full overlay  panel lateral 5/8" cobertura total	<b>6mm</b> 1/2" overlay Partial overlay  cobertura 1/2" cobertura parcial	<b>9mm</b> Side panel 3/4" Half overlay  panel lateral 3/4" cobertura puertas dobles	<b>12mm</b> Side panel 5/8" Half overlay  panel lateral 5/8" cobertura puertas dobles	Packaging Embalaje



**21+32 Screw-in.**  
**21+32 de atornillar.**

	BAP3R09	BAP3R29	BAP3R39	BAP3R69	BAP3R99	BAP3RC9	300



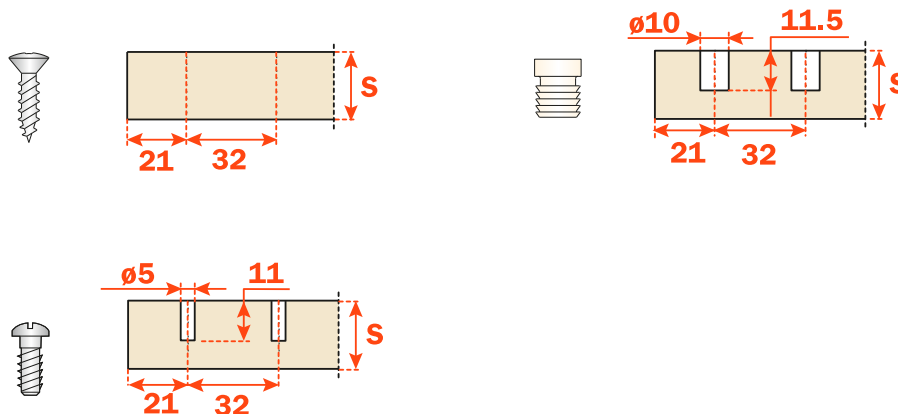
**21+32 Screw-in. Euro-screw pre-mounted.**  
**21+32 de atornillar. Tornillo Euro premontado.**

	BAPGR09/16	BAPGR29/16	BAPGR39/16	BAPGR69/16			300



**21+32 Knock-in. Dowels ø 10mm.**  
**21+32 Tacos a expansión ø 10 mm.**

	BAP7R09	BAP7R29	BAP7R39	BAP7R69			300



**Mounting plates - snap on - 2-way adjustment - 2 cams**  
**Bases automáticas Domi – 2 regulaciones – 2 excéntricos**

**The Domi automatic mounting plate system - 2-way adjustment**  
**Domi plate with AAR feature.**

The **Salice Domi** mounting plate has a unique **Automatic Adjustment Response** feature: a slight turn of the frontal adjustment cam or vertical adjustment cam quickly positions the hinge - eliminating the need for manual positioning by loosening screws.

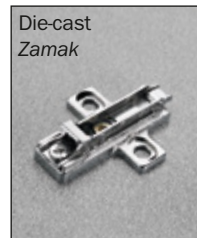
**El nuevo sistema Domi de bases automáticas - 2 regulaciones**  
**Base Domi con característica RRA**

La base **Domi** de **Salice** tiene una característica única de **Respuesta de Regulación Automática**: una rápida rotación del excéntrico frontal o vertical posiciona automáticamente la bisagra – eliminando la necesidad de posicionamiento manual.

**Based on using full overlay hinges.**

**Utilizando bisagras para puertas externas**

	<b>0mm</b> Side panel 3/4" Full overlay	<b>2mm</b> Side panel 5/8" 11/16" overlay	<b>3mm</b> Side panel 5/8" Full overlay	<b>6mm</b> 1/2" overlay Partial overlay	<b>9mm</b> Side panel 3/4" Half overlay	<b>12mm</b> Side panel 5/8" Half overlay	<b>18mm</b> Inset	Packaging Embalaje
	panel lateral 3/4" cobertura total	panel lateral 5/8" cobertura 11/16"	panel lateral 5/8" cobertura total	cobertura 1/2" cobertura parcial	panel lateral 3/4" cobertura puertas dobles	panel lateral 5/8" cobertura puertas dobles	Puerta interna	



**37x32 Screw-in 3<sup>rd</sup> screw fixing option.**  
**37x32 de atornillar – posibilidad de fijación del 3er tornillo**

	BAR3R09	BAR3R29	BAR3R39	BAR3R69	BAR3R99	BAR3RC9	BAR3RV9	300
--	---------	---------	---------	---------	---------	---------	---------	-----

Additional plate heights now available include:  
 21mm - BAR3RZ9  
 24mm - BAR3RY9  
 27mm - BAR3RU9  
 30mm - BAR3RM9



**37x32 Screw-in. Euro-screw pre-mounted. 3<sup>rd</sup> screw fixing option.**  
**37x32 de atornillar. Tornillo Euro premontado – posibilidad de fijación del 3er tornillo**

	BARGR09/16	BARGR29/16	BARGR39/16	BARGR69/16	BARGR99/16	BARGRC9/16	BARGRV9/16	300
--	------------	------------	------------	------------	------------	------------	------------	-----

Additional plate heights now available include:  
 21mm - BARGRZ9/16  
 24mm - BARGRY9/16  
 27mm - BARGRU9/16  
 30mm - BARGRM9/16



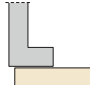
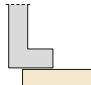
**37x32 Expansion Dowels ø 5 mm. 3<sup>rd</sup> screw fixing option.**  
**37x32 Tacos a expansión ø 5 mm – posibilidad de fijación del 3er tornillo**

	BAR4R09/16	BAR4R29/16	BAR4R39/16	BAR4R69/16				300
--	------------	------------	------------	------------	--	--	--	-----


**Mounting plates - snap on - 2-way adjustment - 1 cam and 2 cams**  
**Bases automáticas Domi - 2 regulaciones - 1 excéntrico y 2 excéntricos**

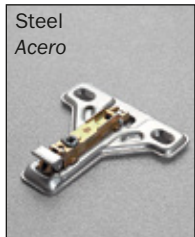
Face frame application. Based on using full overlay hinges.


Aplicación para marco. Utilizando bisagras para puertas externas

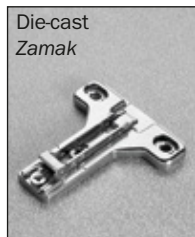
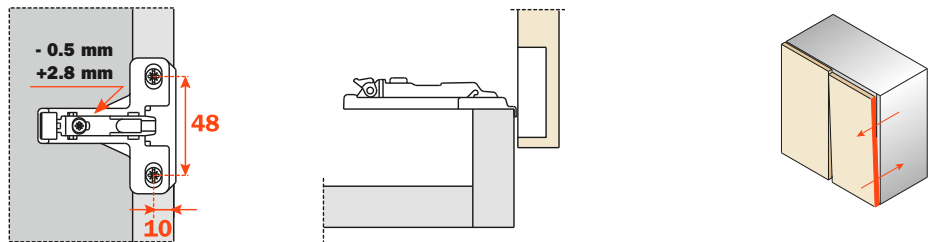
	<b>1mm</b> 3/4" overlay cobertura 3/4"	<b>4mm</b> 1/2" overlay cobertura 1/2"						Packaging Embalaje
								




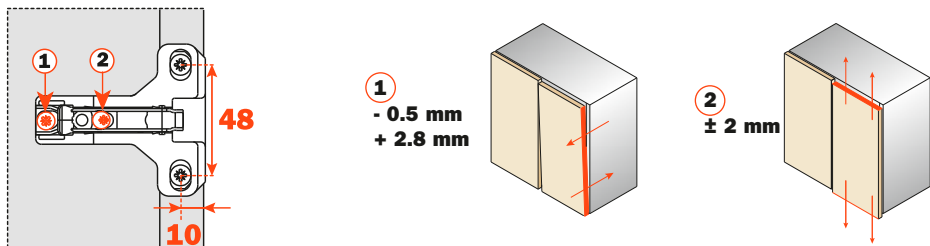
<b>10x48 Screw-in.</b> <b>10x48 de atornillar.</b>								
	BAU3E19	BAU3E49						300



<b>10x48 Screw-in.</b> <b>10x48 de atornillar.</b>								
	BAU3L19	BAU3L49						300


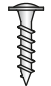


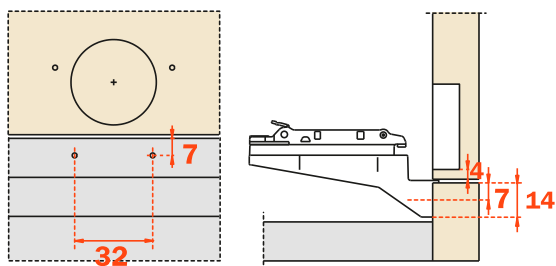
<b>10x48 Screw-in. 3<sup>rd</sup> screw fixing option.</b> <b>10x48 de atornillar - posibilidad de fijación del 3er tornillo</b>								
	BAU3R19	BAU3R49						300



**Mounting plates - snap on - 2-way adjustment - 2 cams**  
**Bases automáticas Domi - 2 regulaciones - 2 excéntricos**

**Double cam - Inset face-frame applications. Aplicaciones internas para marco.**

	<b>7x32 Screw-in.</b> <b>7x32 de atornillar.</b>						Packaging Embalaje
		BAL3R59					300





To be used with:

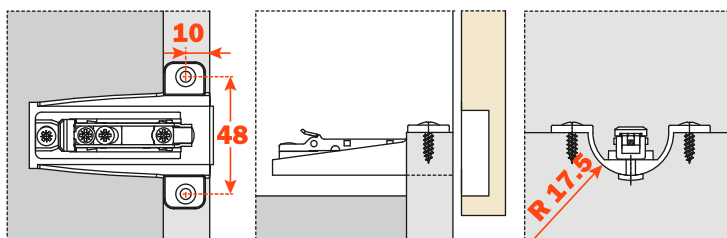
- 1) Half overlay hinges ("G" crank)
- 2) 1/2" overlay hinges ("D" crank) + adjustment.

A utilizar con:

- 1) Bisagras cobertura parcial (codo "G")
- 2) Bisagras cobertura 1/2" (codo "D") + regulación.

**Double cam - Large overlay face-frame applications. Excéntrica doble = Para aplicaciones al interior del marco.**

	<b>10x45 Screw-in</b> <b>10x45 De atornillar</b>						Packaging Embalaje
		BAM3R09					300



**Overlay calculation:**

Overlay = constant + Drilling distance + 11 mm  
 \*Refer to page 3 for information on constants

**Cálculo cobertura:**

Cobertura total = constante + distancia taladro + 11 mm  
 \*Ver página 3 para informaciones sobre las constantes

HINGE	OVERLAY	Drilling distance (K)
Full Overlay ("A" crank) 110° - 120° opening	1 - 1/4" overlay	K = 6 mm
Full Overlay ("A" crank) 94° - 165° opening	1 - 3/8" overlay	K = 8 mm + Add 1 mm of adjustment
Full Overlay ("A" crank) 165° + reduction clip S2AF37X3 = 125° opening	1 - 1/2" overlay	K = 12 mm
Full Overlay ("A" crank) 165° + reduction clip S2AF37X3 = 125° opening	1 - 9/16" overlay	K = 14 mm

BISAGRA	COBERTURA	DISTANCIA DE TALADRO (K)
Cobertura total (codo "A") abertura 110° - 120°	cobertura 1 - 1/4"	K = 6 mm
Cobertura total (codo "A") abertura 94° - 165°	cobertura 1 - 3/8"	K = 8 mm + 1 mm regulación
Cobertura total (codo "A") 165° + tope de abertura S2AF37X3 = abertura 125°	cobertura 1 - 1/2"	K = 12 mm
Cobertura total (codo "A") 165° + tope de abertura S2AF37X3 = cobertura 125°	cobertura 1 - 9/16"	K = 14 mm

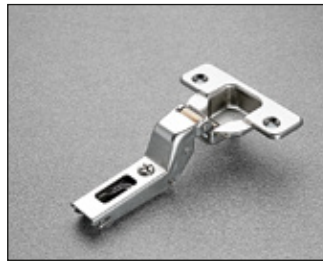


**Hinge and mounting plate selection guide for Face Frame Inset doors.**  
**Guía de selección de bisagra y base para aplicaciones internas para marco.**



**BAR\_** mounting plate

**BAR\_** Base



**P\_** crank inset hinge

**P\_** codo bisagra para puertas internas

**Face frame cabinets**

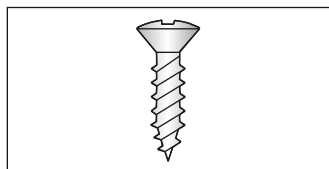
The **BAR** thick mounting plate system has been developed to offer the appropriate mounting plate thickness for inset door with face frame cabinets. This eliminates the need to “build up” to match the face frame interspace (**IS**) dimension.

**Muebles con aplicación para marco**

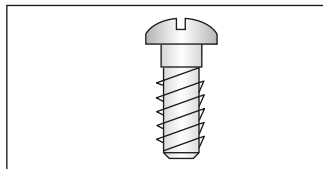
El sistema de bases **BAR** con grandes espesores ha sido desarrollado para ofrecer el espesor adecuado de la base con aplicaciones internas para marco. Esto elimina la necesidad de “incrementar” para nivelar la dimensión correspondiente a la distancia entre lateral y borde del marco. (**IS**)

**Mounting plate part number**

**Código de la base**



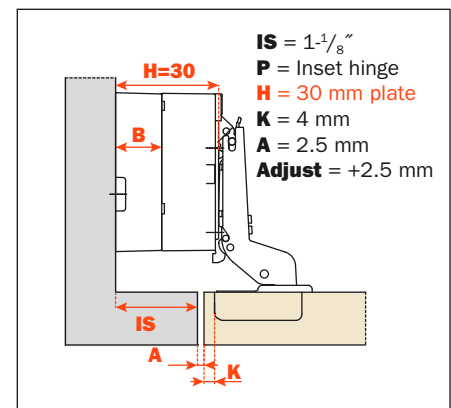
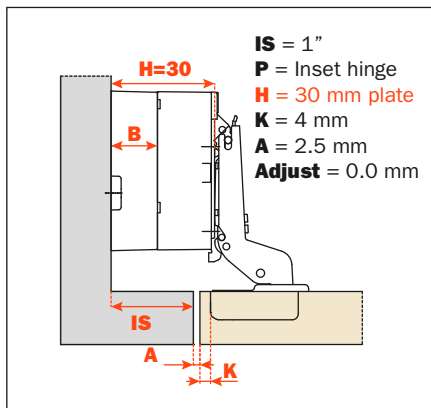
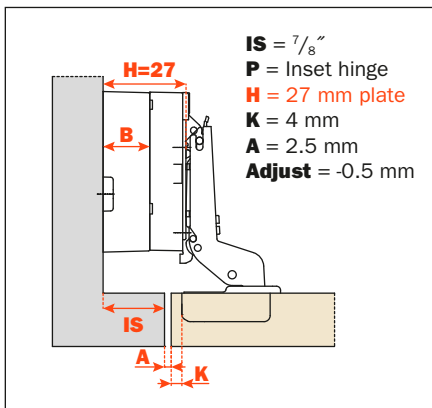
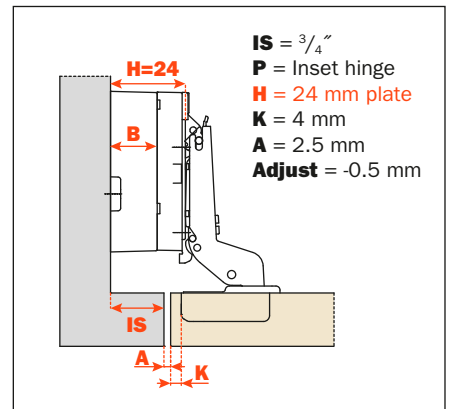
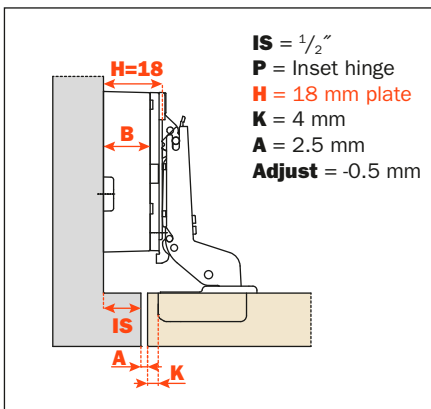
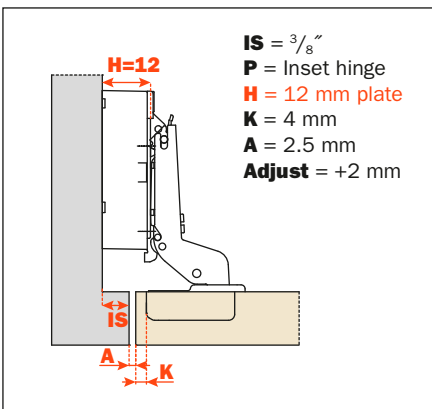
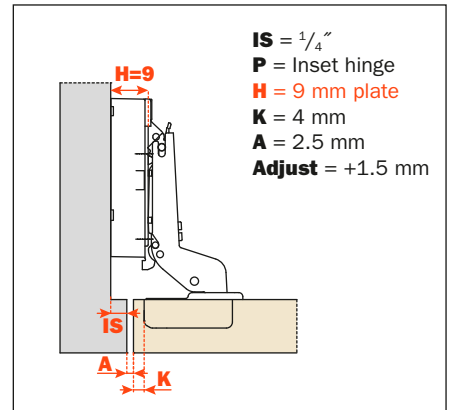
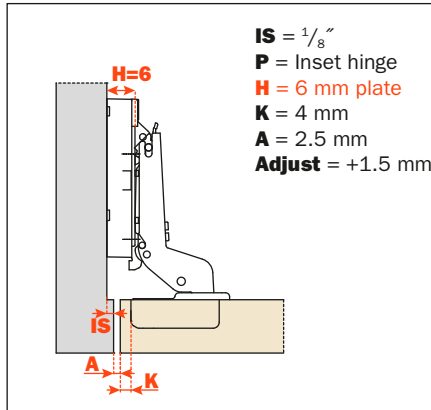
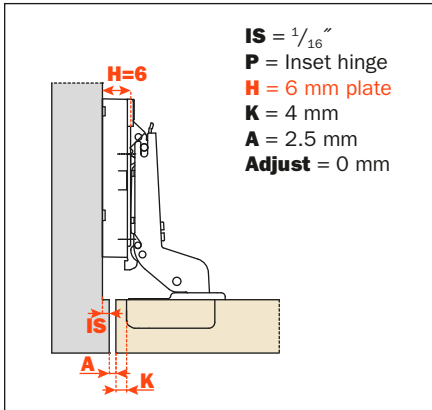
- H = 6 mm** - BAR3R69
- H = 9 mm** - BAR3R99
- H = 12 mm** - BAR3RC9
- H = 18 mm** - BAR3RV9
- H = 21 mm** - BAR3RZ9
- H = 24 mm** - BAR3RY9
- H = 27 mm** - BAR3RU9
- H = 30 mm** - BAR3RM9



- H = 6 mm** - BARGR69/16
- H = 9 mm** - BARGR99/16
- H = 12 mm** - BARGRC9/16
- H = 18 mm** - BARGRV9/16
- H = 21 mm** - BARGRZ9/16
- H = 24 mm** - BARGRY9/16
- H = 27 mm** - BARGRU9/16
- H = 30 mm** - BARGRM9/16

**Drawings of Face Frame Inset applications**  
**Dibujos de aplicaciones internas para marco**

**Select an inset style (P crank) hinge and the matching mounting plate thickness for your cabinet design.**  
**Seleccionar una bisagra (codo P) para puerta interna y el espesor de la base correspondiente para el diseño de su mueble.**



**Legenda**

- IS** = interspace (from side to frame edge)
- B** = mounting plate
- H** = mounting plate thickness
- K** = edge bore distance
- A** = gap
- P** = crank inset hinge

**Abreviaciones**

- IS** = distancia entre lateral y borde del marco
- B** = base
- H** = espesor de la base
- K** = distancia taladro borde externo
- A** = parte no cubierta del lateral
- P** = bisagra con codo para puertas internas